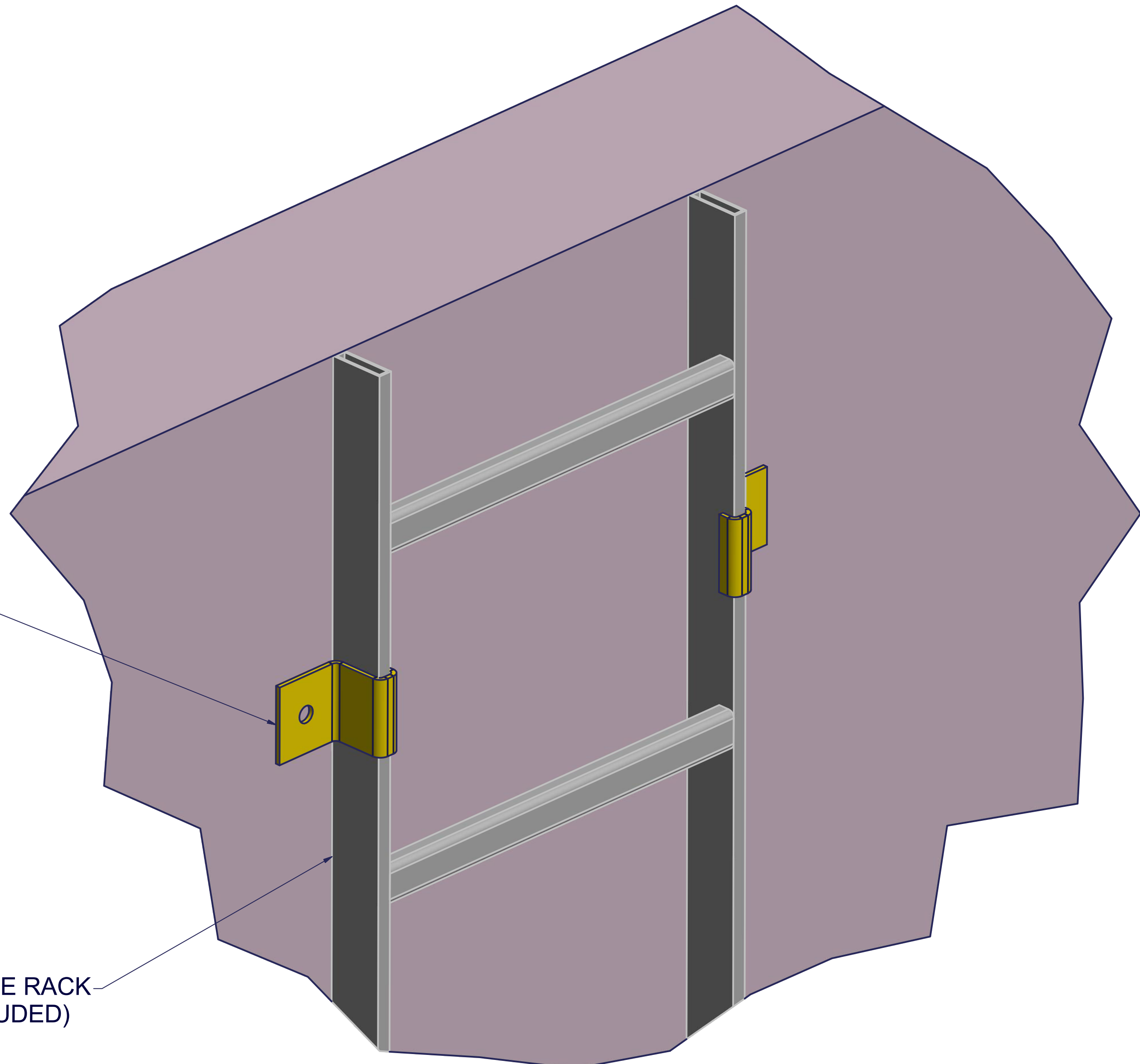
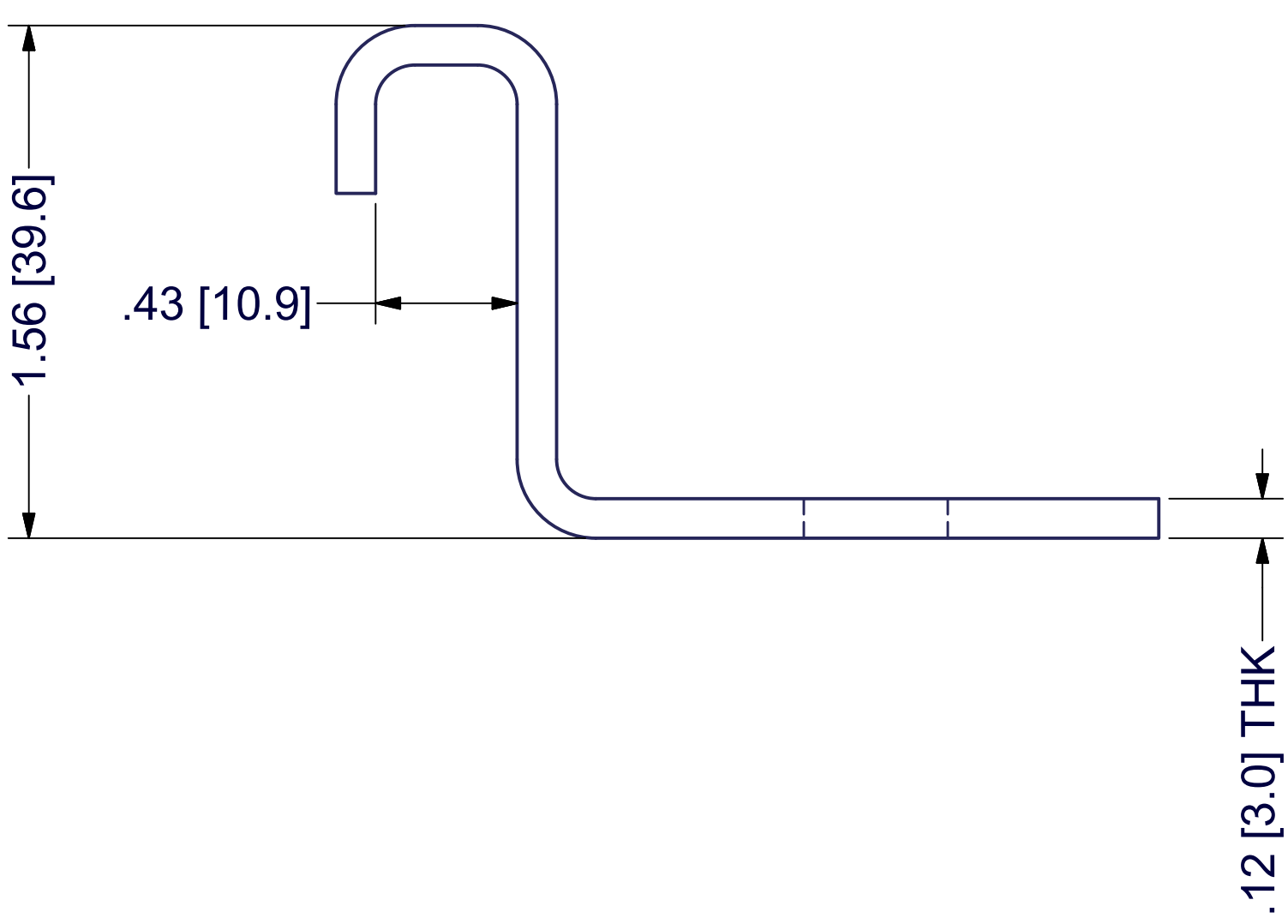
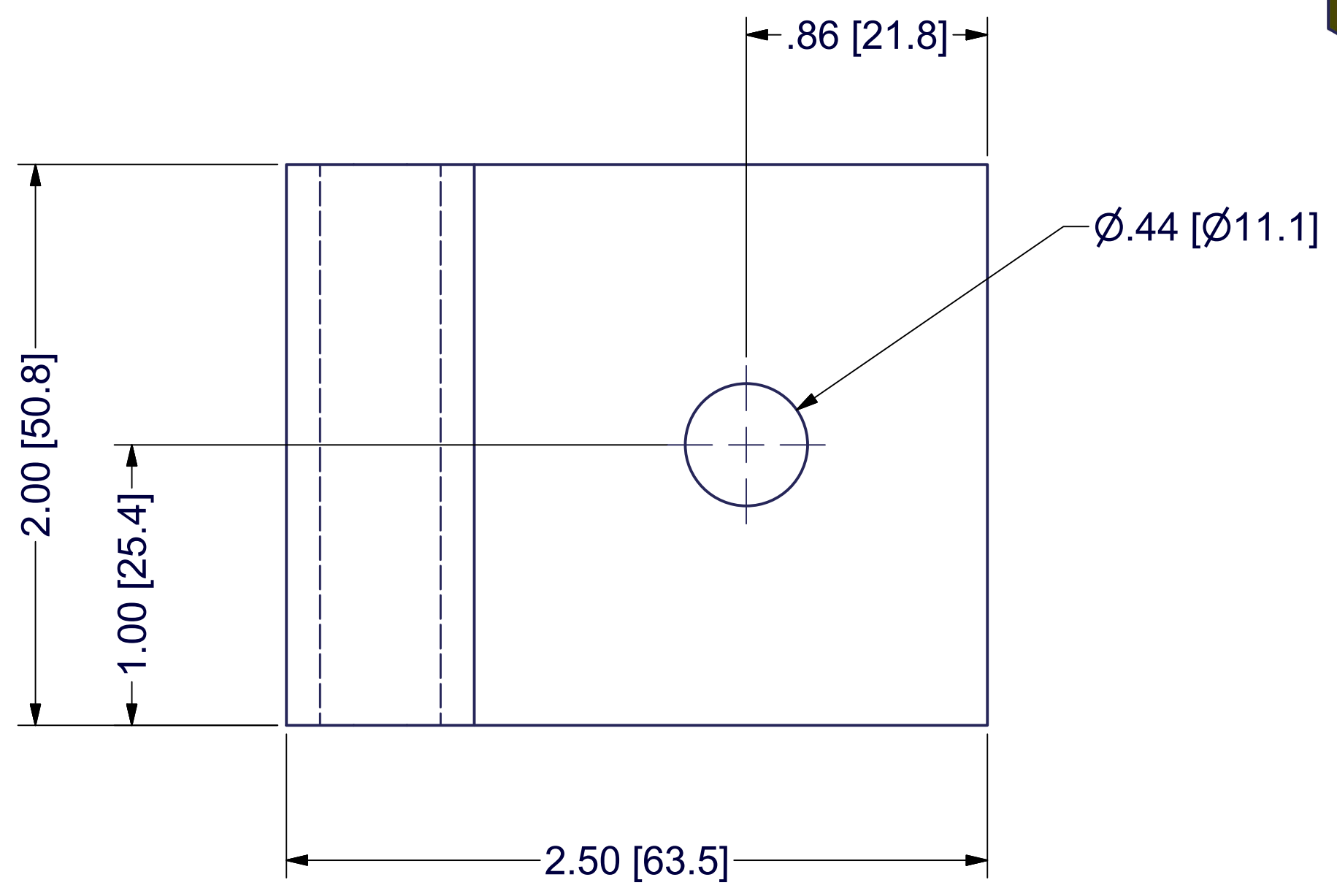
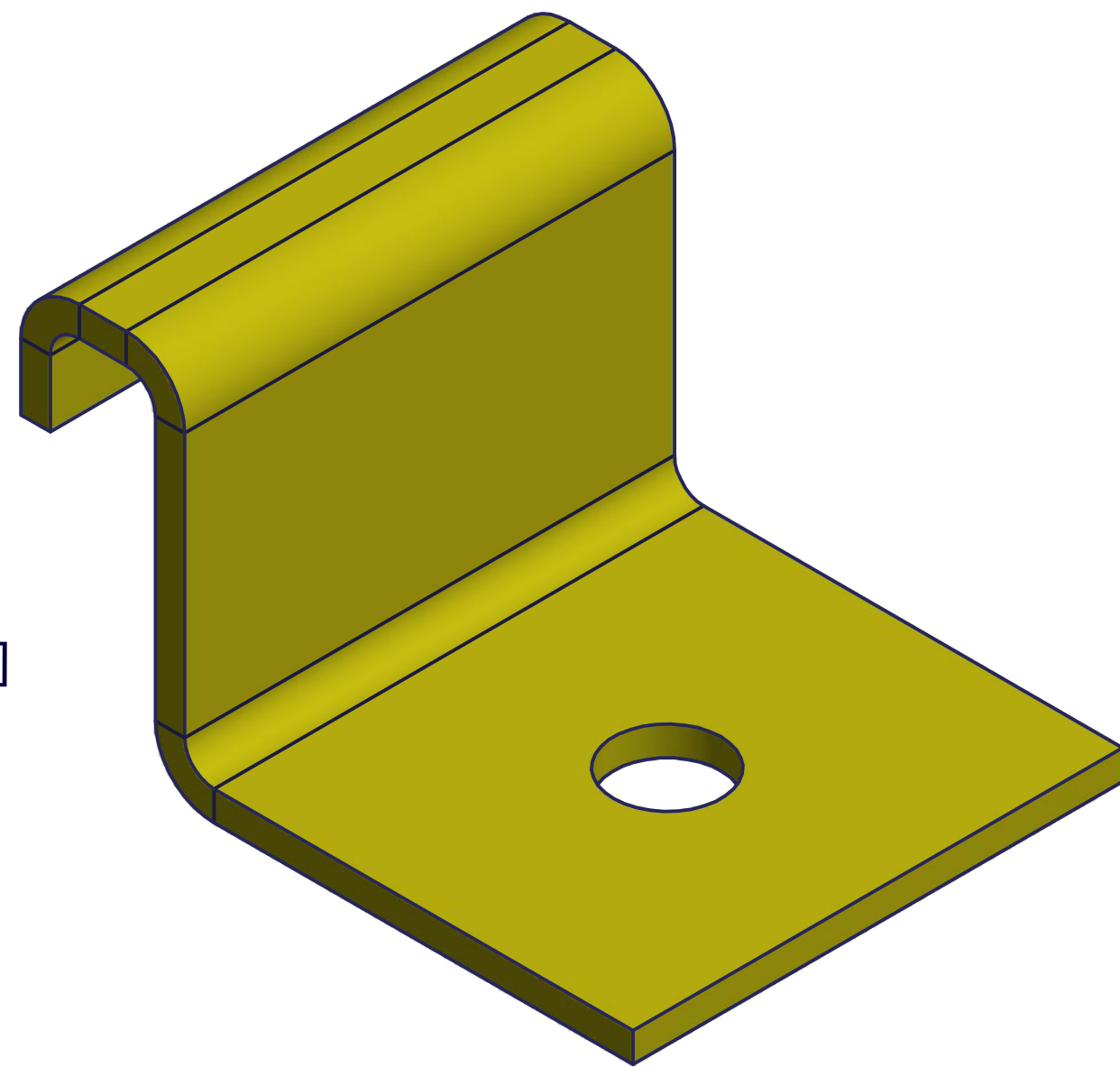


REVISION HISTORY			
REV	DESCRIPTION	DATE	APPROVED
0	ECO-08001	10/28/2020	HM



**INSTALLATION VIEW**

EST. WEIGHT :  
N/A



INTERPRET DRAWING PER ASME Y14.5M-1994  
 DIMENSIONAL LIMITS APPLY  
 AFTER APPLICATION OF FINISH  
 DRAWING NOT TO SCALE  
 TOLERANCE UNLESS OTHERWISE NOTED:  
 ANGULAR +/- .1°  
 .XXXX +/- .010  
 .XXX +/- .015  
 .XX +/- .030  
 .X FOR REF. ONLY  
 UNLESS OTHERWISE SPECIFIED  
 ALL DIMENSIONS ARE IN INCHES

**NOTICE:**  
 Use of this document is subject to a confidentiality and nondisclosure agreement with Great Lakes Data Racks & Cabinets and may not be reproduced, disclosed or utilized in whole or in part without prior written authorization from Great Lakes.  
 Product specification, price & availability are subject to change without prior notice.

PART NUMBER:  
**GL-CR-VWB**  
 MATERIAL TYPE:  
**STEEL**  
 MATERIAL GAUGE:  
  
 FINISH:  
**ZINC YELLOW**  
 DRAWN  
henrym  
 CHECKED & APP.  
CND  
 DATE  
10/30/2020  
 DATE  
10/28/20

TITLE  
**VERTICAL WALL BRACKETS**  
**GREAT LAKES DATA RACKS & CABINETS**  
 P.O. BOX 551 EDINBORO, PA 16412  
 PHONE (814) 734-7303 FAX (814) 734-3907  
 E-MAIL info@greatcabinets.com  
 DWG NO:  
**1032869**  
 REV  
**0**  
 SHEET: 1 OF 1