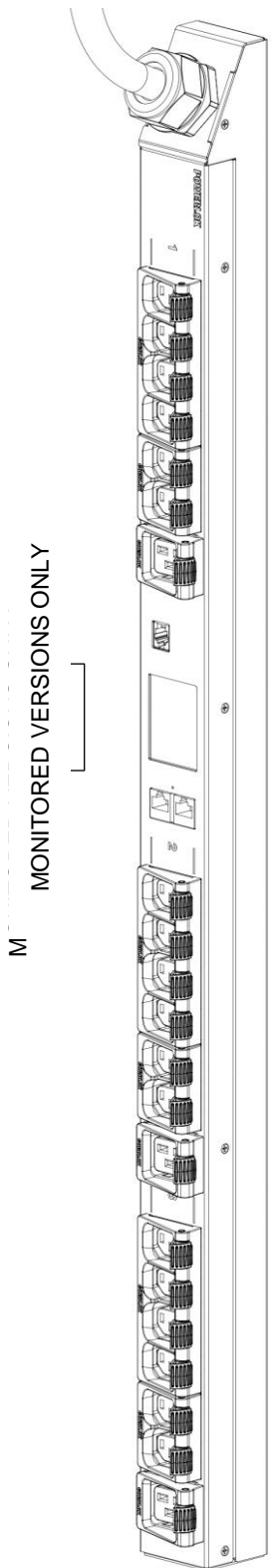


# GREAT LAKES RACK PDU SPECIFICATION



Specific Configurations								
COLOR	CARBON		RED		WHITE		BLUE	
WHIP LENGTH	6 FT	10 FT	6 FT	10 FT	6 FT	10 FT	6 FT	10 FT
<b>MONITORED MODEL</b>	GL8351M-06C	GL8351M-10C	GL8351M-06R	GL8351M-10R	GL8351M-06W	GL8351M-10W	GL8351M-06B	GL8351M-10B
<b>SWITCHED READY MODEL</b>	GL8351S-06C	GL8351S-10C	GL8351S-06R	GL8351S-10R	GL8351S-06W	GL8351S-10W	GL8351S-06B	GL8351S-10B
<b>DESCRIPTION</b>	RACK PDU, 36", 20A 120/208V WYE 3PH, 21-C13, L21-20P, CORDLOK							
<b>MONITORING</b>	REMOTE COMM & UNIT DISPLAY, ENVIROLOK READY							
<b>SWITCHING</b>	REMOTE COMM & UNIT DISPLAY, ENVIROLOK READY, SWITCHLOK READY							
<b>POWER</b>	20A 120/208V 3PH (5.7 kW)							
<b>PLUG TYPE</b>	L21-20P							
<b>UNIT LENGTH</b>	36 INCHES							
<b>RECEPTACLES</b>	21-C13							
<b>CORDLOK</b>	YES							

Universal Specification	
Over Current Protection	None
Power Whip	See PDU Ratings Table - page 2
Heavy Steel - Powder Coat Color	Per PowerLok specific configuration for color
Rack PDU Type	Vertical Rack-mount
Toolless Mounting: Center Spacing	24.50"
Manufactured in the USA	Yes
Product Warranty	3-year from date of shipment, repair or replace.
Certification/Agency Approvals	TUV Certified to UL/CSA 60950-1 with NOM Addendum for Mexico, FCC Part 15 Class A conformance, RoHS compliant
Operating Environment	0-60C (32-149F), 5-95% relative humidity, 0-10,000ft (0-3000 meters) elevation.
Storage Environment	-25-65C (-13-149F), 5-95% relative humidity, 0-10,000ft (0-3000 meters) elevation.
Chassis Dimensions (LxWxD)	35.98"L x 2.18"W x 2.0"D
Package Dimensions (LxWxD)	49.0"L x 22.0"W x 4.8"D (3&4-Pack), 49.0"L x 11.0"W x 4.8"D (1&2-Pack)
Pallet Dimensions (LxWxD)	49"L x 44"W x 5.0"D
Rack PDU Weight	11.3 lbs.
Packaged Weight (each)	13.3 lbs.

Monitored & Switched Versions Only	
Monitoring Accuracy	Voltage: +/- 0.5% at nominal. Current: within 0.5% from 1A to 30A typical. +/-1% of measurement from 500mA to 30A.
Total Unit & Group Monitoring	Aggregate (kWh, W, VA) plus Phase: A, B, C Line Currents, plus Group: 1, 2, 3 Monitoring (kWh, W, VA, PF, V, A)
Network Interface	Ethernet RJ-45, 10 Mbit/s, 100 Mbit/s
Transport/Internet	TCP/IP v4, v6
Network Applications	HTTP/HTTPS Webserver SNMP-V1/V2c/V3 Network Management DHCP for dynamic IP address request from a server on the network. Remote firmware upgrade using FTP.
Touch & Rotatable Digital Display	Touch to rotate / touch to view data screens
Internal RMS Voltage Sensor	Yes
Internal RMS Current Sensor	Yes
Environmental Monitoring	Optional EnviroLok daisy chain temp/humidity (optional - up to 4 sensors). Monitoring accuracy +/- 0.2C and +/- 2% Rh.

Example receptacle configuration shown. See specific configuration table.

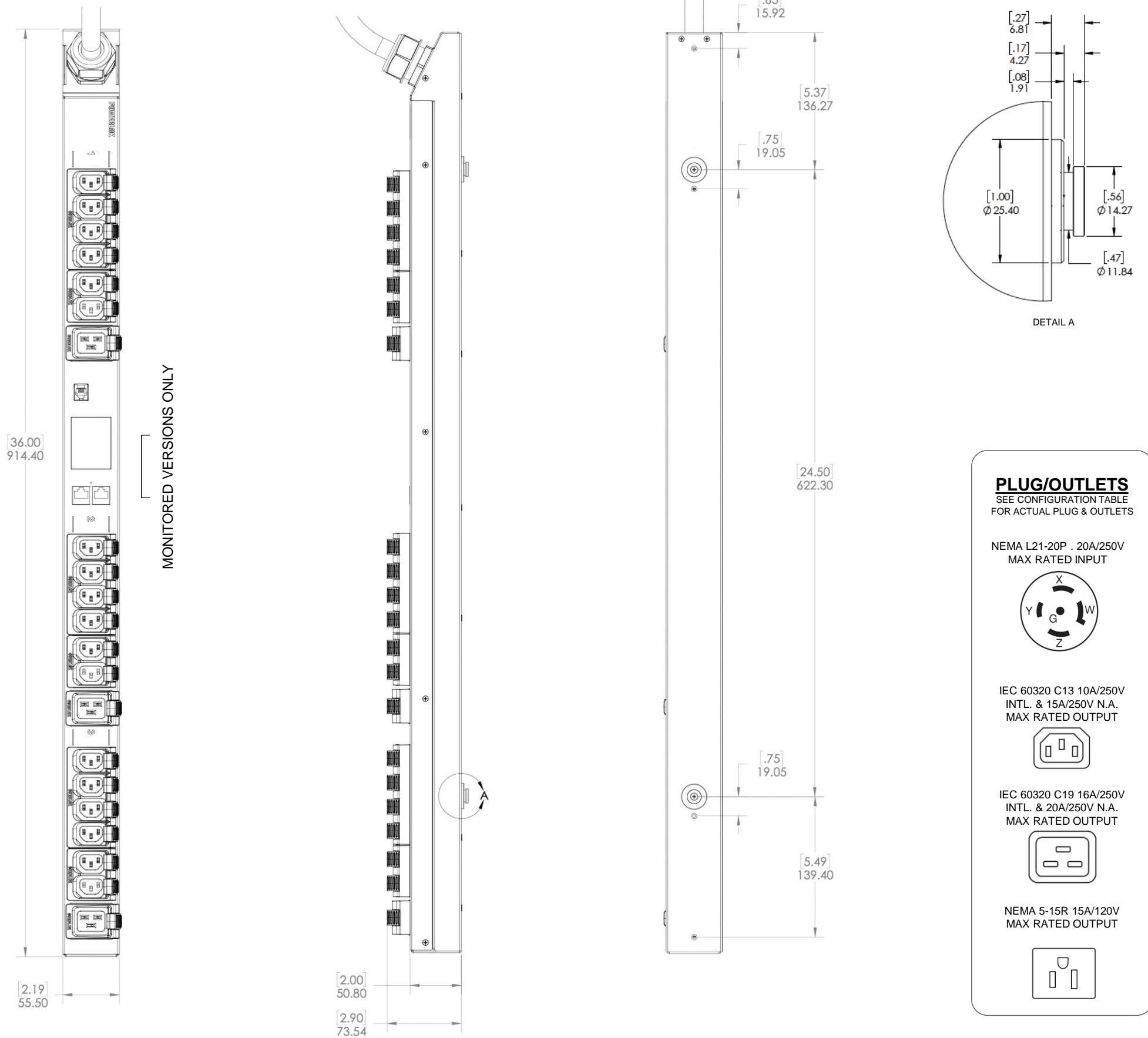
MADE AND ROBOTICALLY SOLDERED IN THE USA

**GREAT LAKES**

*CUSTOMER SIGNATURE:	DATE:	UNLESS OTHERWISE SPECIFIED, ALL DIMENSIONS ARE IN MM AND TOLERANCES ARE:  X = +/- 0.5 .X = +/- 0.25 .XX = +/- 0.13 X' = +/- 0.5'	Great Lakes Data Racks and Cabinets	
*PRIOR TO MANUFACTURING, BUILD MODELS REQUIRE CUSTOMER SIGN-OFF. BY SIGNING, CUSTOMER AGREES THAT THIS ORDER IS NON-CANCELABLE AND NON-RETURNABLE.			TITLE: <b>RACK PDU SPECIFICATION</b>	
		DRAWING NUMBER: SP-GL8351		SHEET: <b>1 OF 2</b>

THIS SPECIFICATION AND ITS CONTENTS ARE THE PROPERTY OF GREAT LAKES DATA RACKS AND CABINETS AND SHALL NOT BE COPIED OR REPRODUCED FOR ANY PURPOSES OTHER THAN APPLICATION OF PRODUCT MANUFACTURED BY GREAT LAKES. THIS DRAWING IS SUBJECT TO CHANGE WITHOUT NOTICE.

# OUTLINE DRAWING



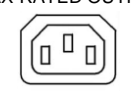
## PLUG/OUTLETS

SEE CONFIGURATION TABLE FOR ACTUAL PLUG & OUTLETS

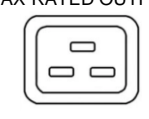
NEMA L21-20P . 20A/250V  
MAX RATED INPUT



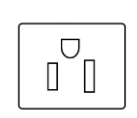
IEC 60320 C13 10A/250V  
INTL. & 15A/250V N.A.  
MAX RATED OUTPUT



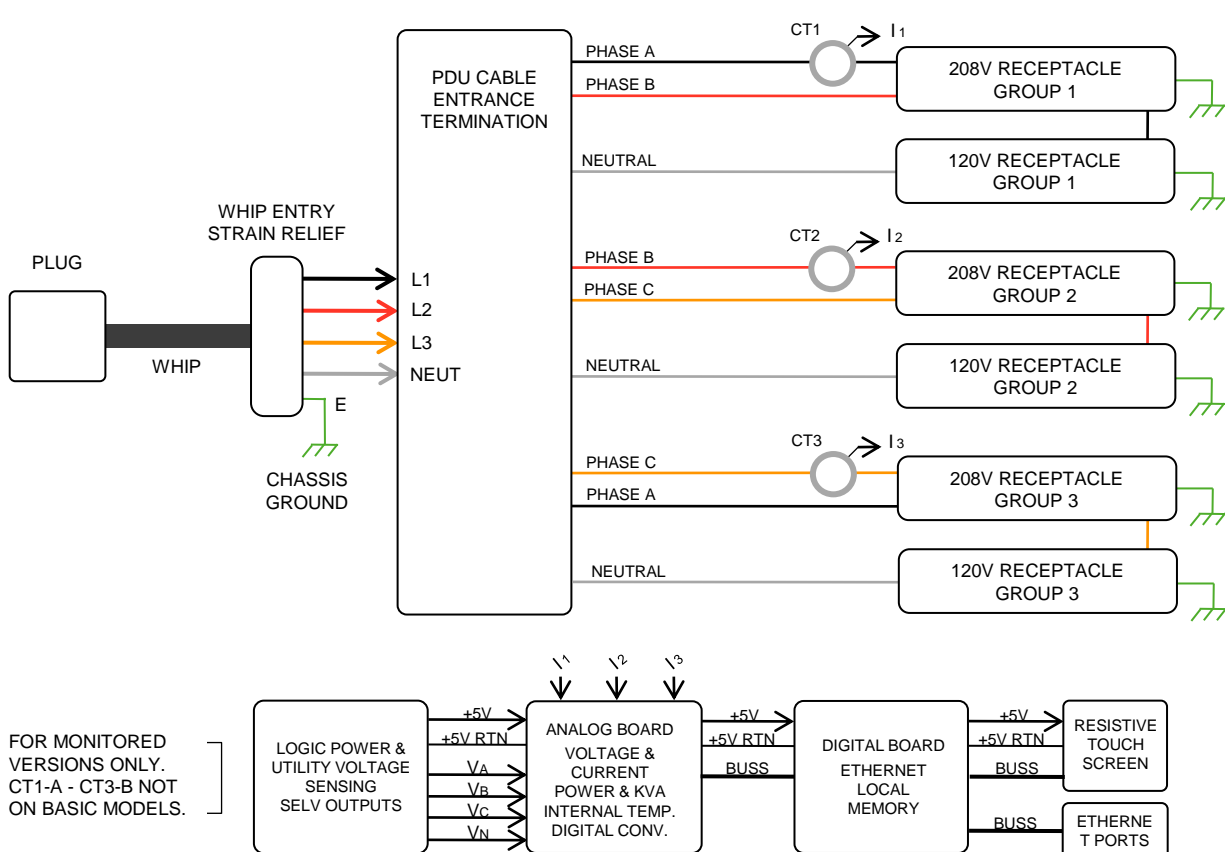
IEC 60320 C19 16A/250V  
INTL. & 20A/250V N.A.  
MAX RATED OUTPUT



NEMA 5-15R 15A/120V  
MAX RATED OUTPUT



# PDU WIRING DIAGRAM & RATINGS TABLE



INPUT POWER:	
WHIP TYPE	12GA 5-WIRE SOOW
VOLTAGE	120/208V WYE 3PH
FREQUENCY	50/60 HZ
RATED AMPS	20A
MAX CONT. AMPS	16A
OUTPUT POWER:	
GROUP 1	PH A-B 16A MAX CONT.
GROUP 2	PH B-C, 16A MAX CONT.
GROUP 3	PH C-A, 16A MAX CONT.

FOR MONITORED VERSIONS ONLY. CT1-A - CT3-B NOT ON BASIC MODELS.

MADE AND ROBOTICALLY SOLDERED IN THE USA

# GREAT LAKES

*CUSTOMER SIGNATURE:	DATE:	UNLESS OTHERWISE SPECIFIED, ALL DIMENSIONS ARE IN MM AND TOLERANCES ARE:  X = +/- 0.5 .X = +/- 0.25 .XX = +/- 0.13 X' = +/- 0.5"	Great Lakes Data Racks and Cabinets	
*PRIOR TO MANUFACTURING, BUILD MODELS REQUIRE CUSTOMER SIGN-OFF. BY SIGNING, CUSTOMER AGREES THAT THIS ORDER IS NON-CANCELABLE AND NON-RETURNABLE.			TITLE: <b>RACK PDU SPECIFICATION</b>	
		DRAWING NUMBER: SP-GL8351		SHEET: <b>2 OF 2</b>
THIS SPECIFICATION AND ITS CONTENTS ARE THE PROPERTY OF GREAT LAKES DATA RACKS AND CABINETS AND SHALL NOT BE COPIED OR REPRODUCED FOR ANY PURPOSES OTHER THAN APPLICATION OF PRODUCT MANUFACTURED BY GREAT LAKES. THIS DRAWING IS SUBJECT TO CHANGE WITHOUT NOTICE.				