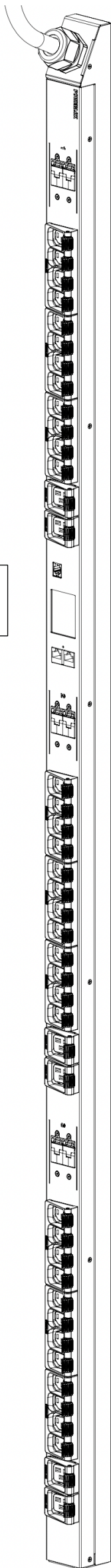


GREAT LAKES RACK PDU SPECIFICATION



Specific Configurations

| COLOR | CARBON | | RED | | WHITE | | BLUE | |
|-----------------------------|---|-------------|-------------|-------------|-------------|-------------|-------------|-------------|
| WHIP LENGTH | 6 FT | 10 FT | 6 FT | 10 FT | 6 FT | 10 FT | 6 FT | 10 FT |
| SWITCHED READY MODEL | GL8403S-06C | GL8403S-10C | GL8403S-06R | GL8403S-10R | GL8403S-06W | GL8403S-10W | GL8403S-06B | GL8403S-10B |
| MONITORED MODEL | GL8403M-06C | GL8403M-10C | GL8403M-06R | GL8403M-10R | GL8403M-06W | GL8403M-10W | GL8403M-06B | GL8403M-10B |
| BASIC MODEL | GL8403B-06C | GL8403B-10C | GL8403B-06R | GL8403B-10R | GL8403B-06W | GL8403B-10W | GL8403B-06B | GL8403B-10B |
| DESCRIPTION | RACK PDU, 72", 30A 208/240V DELTA 3PH, 36-C13 & 6-C19, L15-30P, CORDLOK | | | | | | | |
| POWER | 30A 208/240V DELTA 3PH (10.0 kW) | | | | | | | |
| PLUG TYPE | L15-30P | | | | | | | |
| UNIT LENGTH | 72 INCHES | | | | | | | |
| RECEPTACLES | 36-C13 & 6-C19 | | | | | | | |
| CORDLOK | YES | | | | | | | |

Universal Specification

| | |
|-----------------------------------|---|
| Over Current Protection | 20A UL489 magnetic breakers |
| Power Whip | See PDU Ratings Table - page 2 |
| Heavy Steel - Powder Coat Color | Per PowerLok specific configuration for color |
| Rack PDU Type | Vertical Rack-mount |
| Toolless Mounting: Center Spacing | 61.25" |
| Manufactured in the USA | Yes |
| Product Warranty | 3-year from date of shipment, repair or replace. |
| Certification/Agency Approvals | TUV Certified to UL/CSA 60950-1 with NOM Addendum for Mexico, FCC Part 15 Class A conformance, RoHS compliant |
| Operating Environment | 0-60C (32-149F), 5-95% relative humidity, 0-10,000ft (0-3000 meters) elevation. |
| Storage Environment | -25-65C (-13-149F), 5-95% relative humidity, 0-10,000ft (0-3000 meters) elevation. |
| Chassis Dimensions (LxWxD) | 72.0"L x 2.18"W x 2.0"D |
| Package Dimensions (LxWxD) | 80.0"L x 22.0"W x 4.8"D (3&4-Pack), 80.0"L x 11.0"W x 4.8"D (1&2-Pack) |
| Pallet Dimensions (LxWxD) | 82"L x 44"W x 5.0"D |
| Rack PDU Weight | 15.0 lbs. |
| Packaged Weight (each) | 17.0 lbs. |

Monitored & Switched Versions Only

| | |
|-----------------------------------|--|
| MONITORING TYPE: | REMOTE & TOUCHSCREEN DISPLAY, ENVIROLOK READY. SWITCHED READY |
| Monitoring Accuracy | Voltage: +/- 0.5% at nominal. Current: within 0.5% from 1A to 30A typical. +/-1% of measurement from 500mA to 30A. |
| Total Unit & Group Monitoring | Aggregate (kWh, W, VA) plus Phase: A, B, C Line Currents, plus Group: 1, 2, 3 Monitoring (kWh, W, VA, PF, V, A) |
| Network Interface | Ethernet RJ-45, 10 Mbit/s, 100 Mbit/s |
| Transport/Internet | TCP/IP v4, v6 |
| Network Applications | HTTP/HTTPS Webserver SNMP-V1/V2c/V3 Network Management DHCP for dynamic IP address request from a server on the network. Remote firmware upgrade using FTP. |
| Touch & Rotatable Digital Display | Touch to rotate / touch to view data screens |
| Internal RMS Voltage Sensor | Yes |
| Internal RMS Current Sensor | Yes |
| Environmental Monitoring | Optional EnviroLok daisy chain temp/humidity (optional - up to 4 sensors). Monitoring accuracy +/- 0.2C and +/- 2% Rh. |

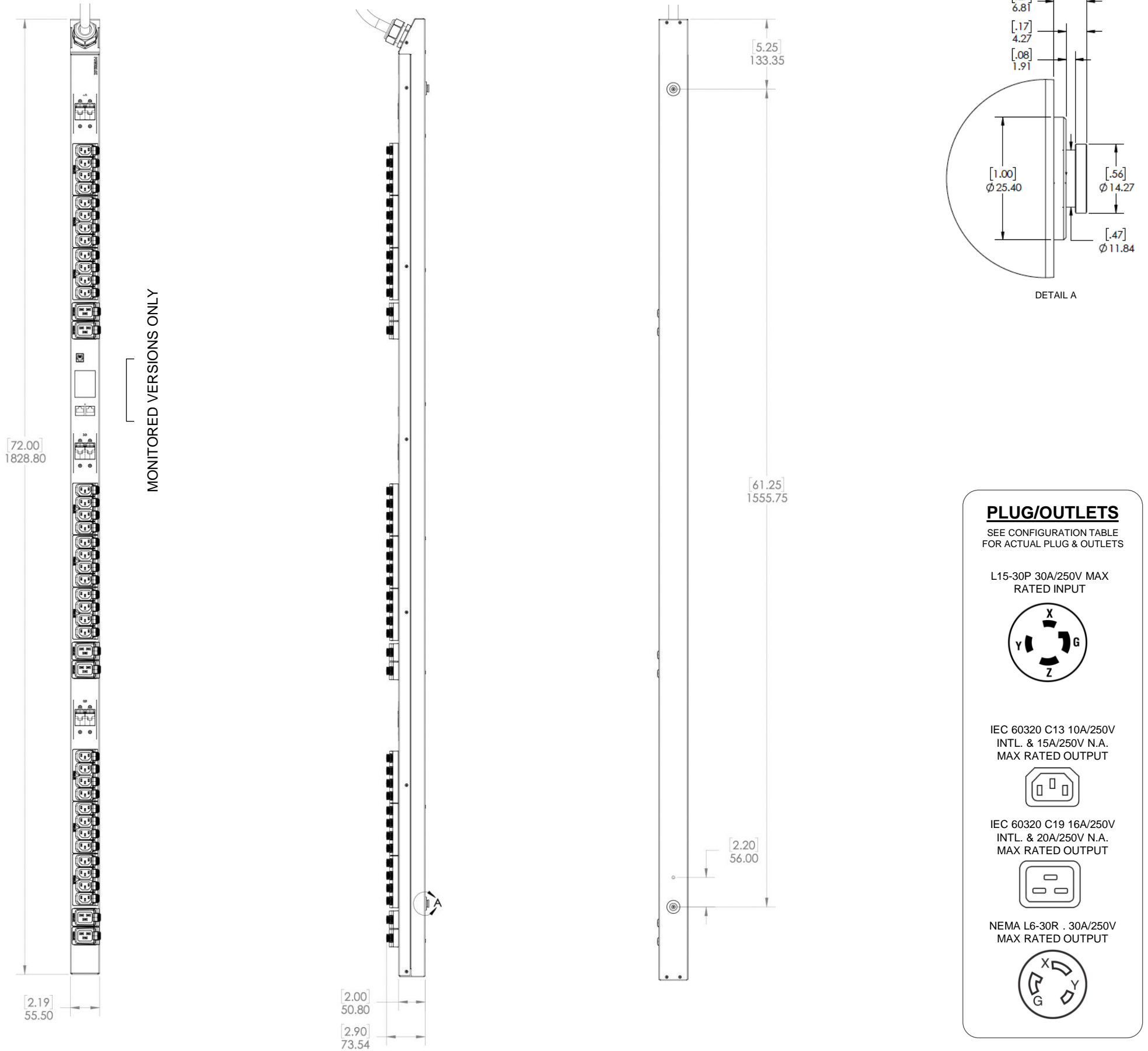
MADE AND ROBOTICALLY SOLDERED IN THE USA

GREAT LAKES

| | | | | |
|---|-------|---|---|------------------------------|
| *CUSTOMER SIGNATURE: | DATE: | UNLESS OTHERWISE SPECIFIED, ALL DIMENSIONS ARE IN MM AND TOLERANCES ARE: X = +/- 0.5 .X = +/- 0.25 .XX = +/- 0.13 X' = +/- 0.5" | Great Lakes Data Racks and Cabinets | |
| *PRIOR TO MANUFACTURING, BUILD MODELS REQUIRE CUSTOMER SIGN-OFF. BY SIGNING, CUSTOMER AGREES THAT THIS ORDER IS NON-CANCELABLE AND NON-RETURNABLE. | | | TITLE: RACK PDU SPECIFICATION | DRAWING NUMBER: SP-GL8403 |
| THIS SPECIFICATION AND ITS CONTENTS ARE THE PROPERTY OF GREAT LAKES DATA RACKS AND CABINETS AND SHALL NOT BE COPIED OR REPRODUCED FOR ANY PURPOSES OTHER THAN APPLICATION OF PRODUCT MANUFACTURED BY GREAT LAKES. THIS DRAWING IS SUBJECT TO CHANGE WITHOUT NOTICE. | | | | |

Example receptacle configuration shown. See specific configuration table.

OUTLINE DRAWING



PLUG/OUTLETS

SEE CONFIGURATION TABLE FOR ACTUAL PLUG & OUTLETS

L15-30P 30A/250V MAX RATED INPUT



IEC 60320 C13 10A/250V INTL. & 15A/250V N.A. MAX RATED OUTPUT



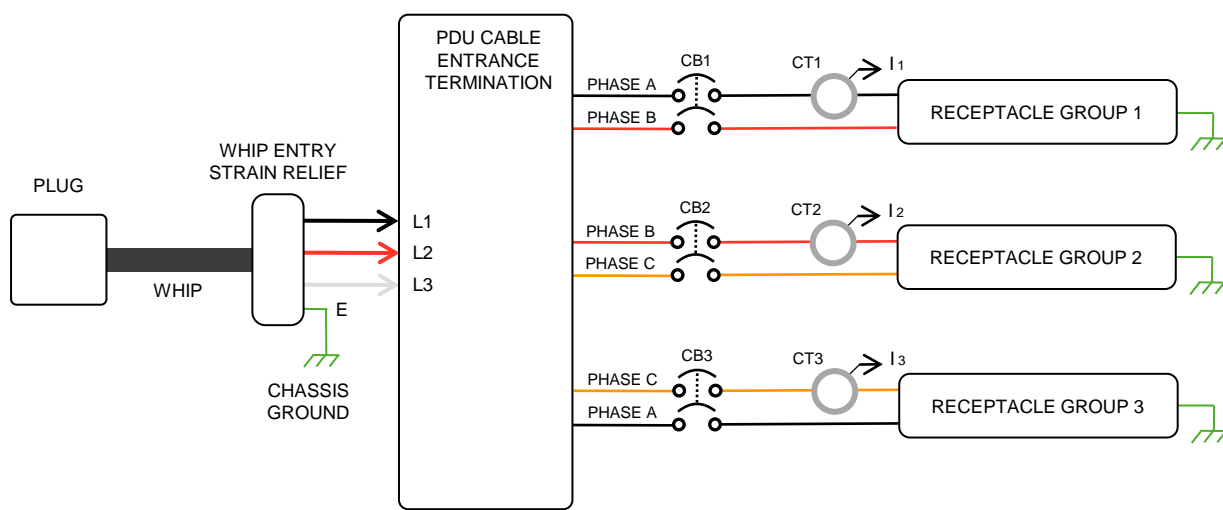
IEC 60320 C19 16A/250V INTL. & 20A/250V N.A. MAX RATED OUTPUT



NEMA L6-30R . 30A/250V MAX RATED OUTPUT

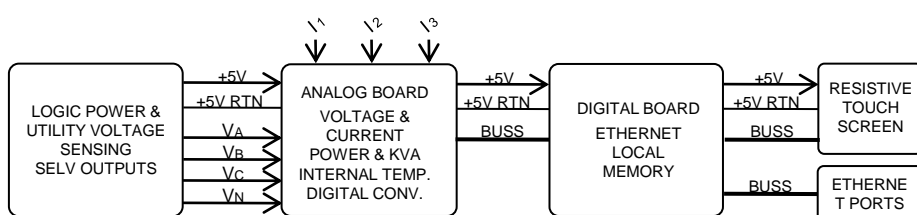


PDU WIRING DIAGRAM & RATINGS TABLE



| INPUT POWER: | |
|----------------|-----------------------|
| WHIP TYPE | 10GA 4-WIRE SOOW |
| VOLTAGE | 208/240V DELTA 3PH |
| FREQUENCY | 50/60 HZ |
| RATED AMPS | 30A |
| MAX CONT. AMPS | 24A |
| OUTPUT POWER: | |
| GROUP 1 | PH A-B, 16A MAX CONT. |
| GROUP 2 | PH B-C, 16A MAX CONT. |
| GROUP 3 | PH C-A, 16A MAX CONT. |

FOR MONITORED VERSIONS ONLY. CT1-3 NOT ON BASIC MODELS.



MADE AND ROBOTICALLY SOLDERED IN THE USA

GREAT LAKES

| | | | | |
|---|-------|---|---|-------------------------|
| *CUSTOMER SIGNATURE: | DATE: | UNLESS OTHERWISE SPECIFIED, ALL DIMENSIONS ARE IN MM AND TOLERANCES ARE: X = +/- 0.5 .X = +/- 0.25 .XX = +/- 0.13 X' = +/- 0.5" | Great Lakes Data Racks and Cabinets | |
| *PRIOR TO MANUFACTURING, BUILD MODELS REQUIRE CUSTOMER SIGN-OFF. BY SIGNING, CUSTOMER AGREES THAT THIS ORDER IS NON-CANCELABLE AND NON-RETURNABLE. | | | TITLE: RACK PDU SPECIFICATION | |
| | | DRAWING NUMBER: SP-GL8403 | | SHEET: 2 OF 2 |
| THIS SPECIFICATION AND ITS CONTENTS ARE THE PROPERTY OF GREAT LAKES DATA RACKS AND CABINETS AND SHALL NOT BE COPIED OR REPRODUCED FOR ANY PURPOSES OTHER THAN APPLICATION OF PRODUCT MANUFACTURED BY GREAT LAKES. THIS DRAWING IS SUBJECT TO CHANGE WITHOUT NOTICE. | | | | |