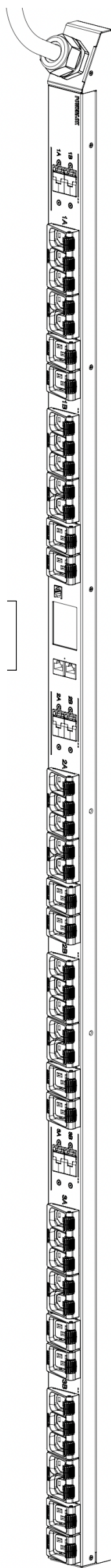


# GREAT LAKES RACK PDU SPECIFICATION

MONITORED VERSIONS ONLY



## Specific Configurations

| COLOR                       | CARBON  |             | RED         |             | WHITE       |             | BLUE        |             |
|-----------------------------|---|-------------|-------------|-------------|-------------|-------------|-------------|-------------|
| WHIP LENGTH                 | 6 FT  | 10 FT       | 6 FT        | 10 FT       | 6 FT        | 10 FT       | 6 FT        | 10 FT       |
| <b>SWITCHED READY MODEL</b> | GL8733S-06C   | GL8733S-10C | GL8733S-06R | GL8733S-10R | GL8733S-06W | GL8733S-10W | GL8733S-06B | GL8733S-10B |
| <b>MONITORED MODEL</b>      | GL8733M-06C   | GL8733M-10C | GL8733M-06R | GL8733M-10R | GL8733M-06W | GL8733M-10W | GL8733M-06B | GL8733M-10B |
| <b>BASIC MODEL</b>          | GL8733B-06C   | GL8733B-10C | GL8733B-06R | GL8733B-10R | GL8733B-06W | GL8733B-10W | GL8733B-06B | GL8733B-10B |
| <b>DESCRIPTION</b>          | RACK PDU, 72", 30A 240/415V WYE 3PH, 30-C13 & 12-C19, IEC 309 (IP44), CORDLOK |             |             |             |             |             |             |             |
| <b>POWER</b>                | 30A 240/415V WYE 3PH (17.2 kW)  |             |             |             |             |             |             |             |
| <b>PLUG TYPE</b>            | IEC 309 (IP44) SPLASHPROOF  |             |             |             |             |             |             |             |
| <b>UNIT LENGTH</b>          | 72 INCHES   |             |             |             |             |             |             |             |
| <b>RECEPTACLES</b>          | 30-C13 & 12-C19   |             |             |             |             |             |             |             |
| <b>CORDLOK</b>              | YES   |             |             |             |             |             |             |             |

## Universal Specification

|                                   |   |
|-----------------------------------|---|
| Over Current Protection           | 20A UL489 magnetic breakers   |
| Power Whip                        | See PDU Ratings Table - page 2  |
| Heavy Steel - Powder Coat Color   | Per PowerLok specific configuration for color   |
| Rack PDU Type                     | Vertical Rack-mount   |
| Toolless Mounting: Center Spacing | 61.25"  |
| Manufactured in the USA           | Yes   |
| Product Warranty                  | 3-year from date of shipment, repair or replace.  |
| Certification/Agency Approvals    | TUV Certified to UL/CSA 60950-1 with NOM Addendum for Mexico, FCC Part 15 Class A conformance, RoHS compliant |
| Operating Environment             | 0-60C (32-149F), 5-95% relative humidity, 0-10,000ft (0-3000 meters) elevation.                               |
| Storage Environment               | -25-65C (-13-149F), 5-95% relative humidity, 0-10,000ft (0-3000 meters) elevation.                            |
| Chassis Dimensions (LxWxD)        | 72.0"L x 2.18"W x 2.0"D   |
| Package Dimensions (LxWxD)        | 80.0"L x 22.0"W x 4.8"D (3&4-Pack), 80.0"L x 11.0"W x 4.8"D (1&2-Pack)  |
| Pallet Dimensions (LxWxD)         | 82"L x 44"W x 5.0"D   |
| Rack PDU Weight                   | 18.3 lbs.   |
| Packaged Weight (each)            | 20.3 lbs.   |

## Monitored & Switched Versions Only

|                                   |  |
|-----------------------------------|--|
| MONITORING TYPE:                  | REMOTE & TOUCHSCREEN DISPLAY, ENVIROLOK READY. SWITCHED READY  |
| Monitoring Accuracy               | Voltage: +/- 0.5% at nominal. Current: within 0.5% from 1A to 30A typical. +/-1% of measurement from 500mA to 30A.   |
| Total Unit & Group Monitoring     | Aggregate (kWh, W, VA) plus Phase: A, B, C Line Currents, plus Group: 1, 2, 3 Monitoring (kWh, W, VA, PF, V, A)  |
| Network Interface                 | Ethernet RJ-45, 10 Mbit/s, 100 Mbit/s  |
| Transport/Internet                | TCP/IP v4, v6  |
| Network Applications              | HTTP/HTTPS Webserver<br>SNMP-V1/V2c/V3 Network Management<br>DHCP for dynamic IP address request from a server on the network.<br>Remote firmware upgrade using FTP. |
| Touch & Rotatable Digital Display | Touch to rotate / touch to view data screens   |
| Internal RMS Voltage Sensor       | Yes  |
| Internal RMS Current Sensor       | Yes  |
| Environmental Monitoring          | Optional EnviroLok daisy chain temp/humidity (optional - up to 4 sensors).<br>Monitoring accuracy +/- 0.2C and +/- 2% Rh.  |

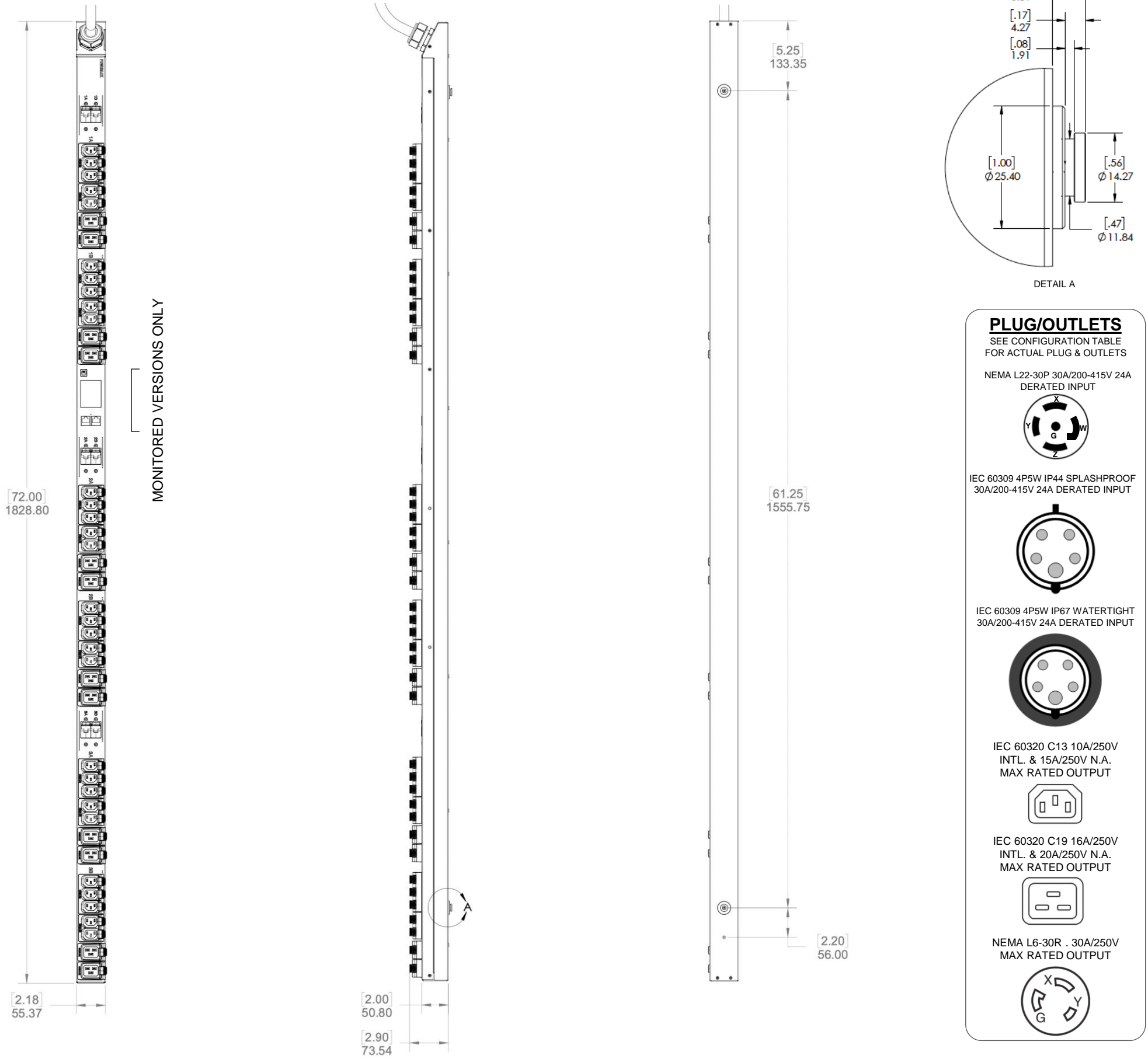
MADE AND ROBOTICALLY SOLDERED IN THE USA

**GREAT LAKES**

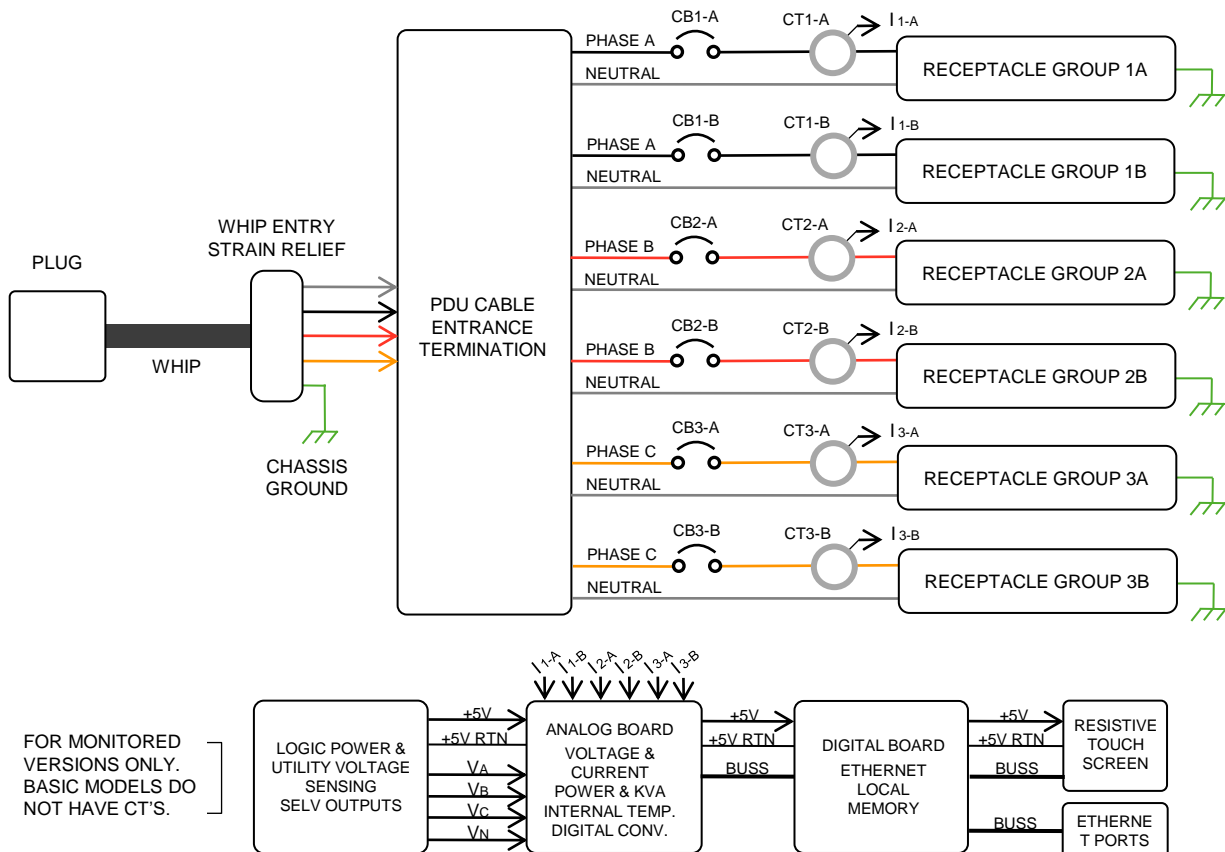
|  |       |   |   |                              |
|--|-------|---|---|------------------------------|
| *CUSTOMER SIGNATURE:   | DATE: | UNLESS OTHERWISE SPECIFIED, ALL DIMENSIONS ARE IN MM AND TOLERANCES ARE:<br><br>X = +/- 0.5<br>.X = +/- 0.25<br>.XX = +/- 0.13<br>X' = +/- 0.5" | Great Lakes Data Racks and Cabinets     |                              |
| *PRIOR TO MANUFACTURING, BUILD MODELS REQUIRE CUSTOMER SIGN-OFF. BY SIGNING, CUSTOMER AGREES THAT THIS ORDER IS NON-CANCELABLE AND NON-RETURNABLE. |       |   | TITLE:<br><b>RACK PDU SPECIFICATION</b> | DRAWING NUMBER:<br>SP-GL8733 |

THIS SPECIFICATION AND ITS CONTENTS ARE THE PROPERTY OF GREAT LAKES DATA RACKS AND CABINETS AND SHALL NOT BE COPIED OR REPRODUCED FOR ANY PURPOSES OTHER THAN APPLICATION OF PRODUCT MANUFACTURED BY GREAT LAKES. THIS DRAWING IS SUBJECT TO CHANGE WITHOUT NOTICE.

**OUTLINE DRAWING**



**PDU WIRING DIAGRAM & RATINGS TABLE**



| INPUT POWER:   |                       |
|----------------|-----------------------|
| WHIP TYPE      | 10GA 5-WIRE SOOW      |
| VOLTAGE        | 240/415V WYE 3PH      |
| FREQUENCY      | 50/60 HZ              |
| RATED AMPS     | 30A                   |
| MAX CONT. AMPS | 24A                   |
| OUTPUT POWER:  |                       |
| GROUP 1A       | PH A-N, 16A MAX CONT. |
| GROUP 1B       | PH A-N, 16A MAX CONT. |
| GROUP 2A       | PH B-N, 16A MAX CONT. |
| GROUP 2B       | PH B-N, 16A MAX CONT. |
| GROUP 3A       | PH C-N, 16A MAX CONT. |
| GROUP 3B       | PH C-N, 16A MAX CONT. |

MADE AND ROBOTICALLY SOLDERED IN THE USA

|  |       |   |   |                         |
|--|-------|---|---|-------------------------|
| *CUSTOMER SIGNATURE:   | DATE: | UNLESS OTHERWISE SPECIFIED, ALL DIMENSIONS ARE IN MM AND TOLERANCES ARE:<br><br>X = +/- 0.5<br>.X = +/- 0.25<br>.XX = +/- 0.13<br>X' = +/- 0.5" | Great Lakes Data Racks and Cabinets     |                         |
| *PRIOR TO MANUFACTURING, BUILD MODELS REQUIRE CUSTOMER SIGN-OFF. BY SIGNING, CUSTOMER AGREES THAT THIS ORDER IS NON-CANCELABLE AND NON-RETURNABLE. |       |   | TITLE:<br><b>RACK PDU SPECIFICATION</b> |                         |
|  |       | DRAWING NUMBER:<br>SP-GL8733  |   | SHEET:<br><b>2 OF 2</b> |

THIS SPECIFICATION AND ITS CONTENTS ARE THE PROPERTY OF GREAT LAKES DATA RACKS AND CABINETS AND SHALL NOT BE COPIED OR REPRODUCED FOR ANY PURPOSES OTHER THAN APPLICATION OF PRODUCT MANUFACTURED BY GREAT LAKES. THIS DRAWING IS SUBJECT TO CHANGE WITHOUT NOTICE.

FOR MONITORED VERSIONS ONLY. BASIC MODELS DO NOT HAVE CT'S.