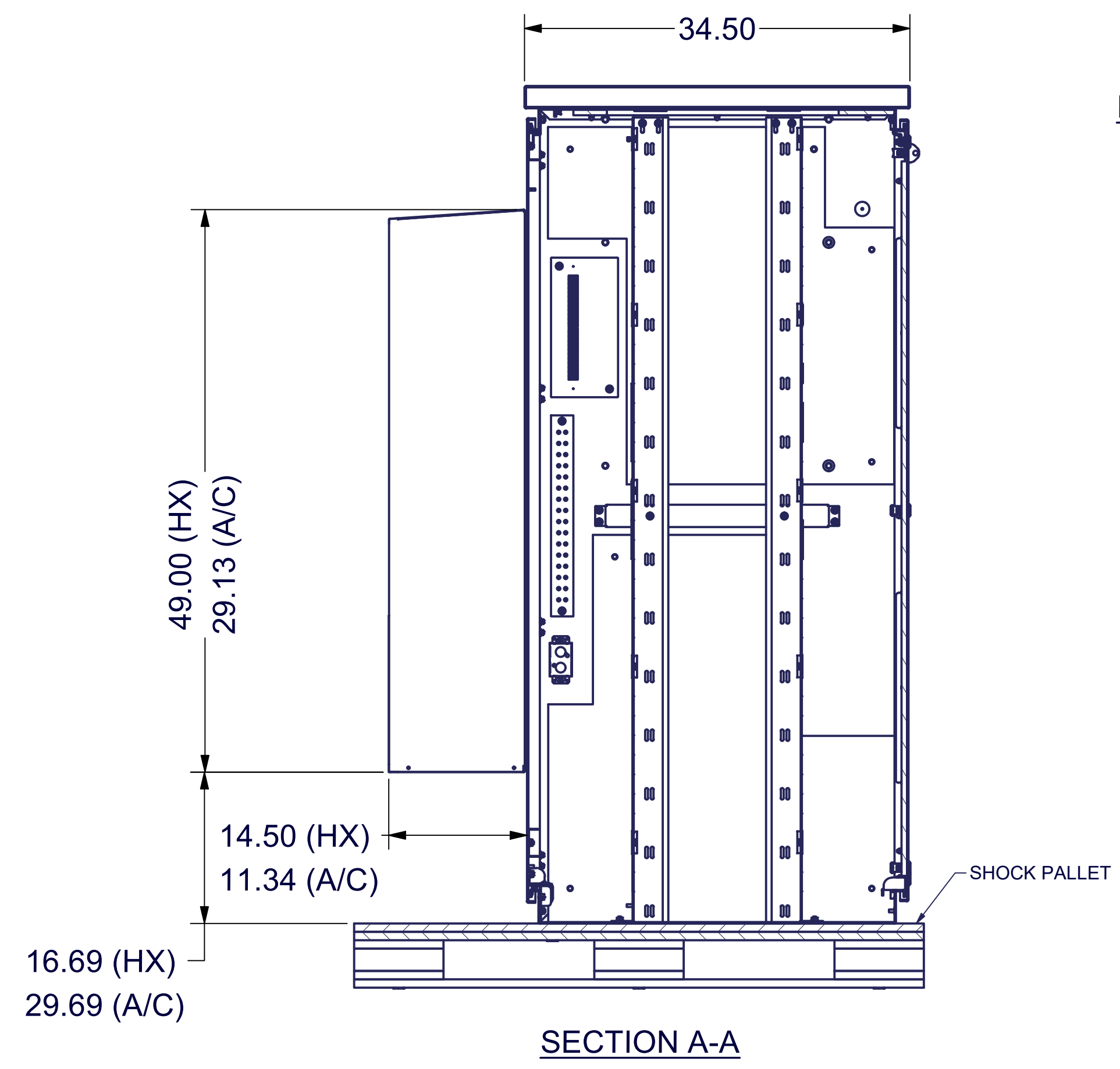
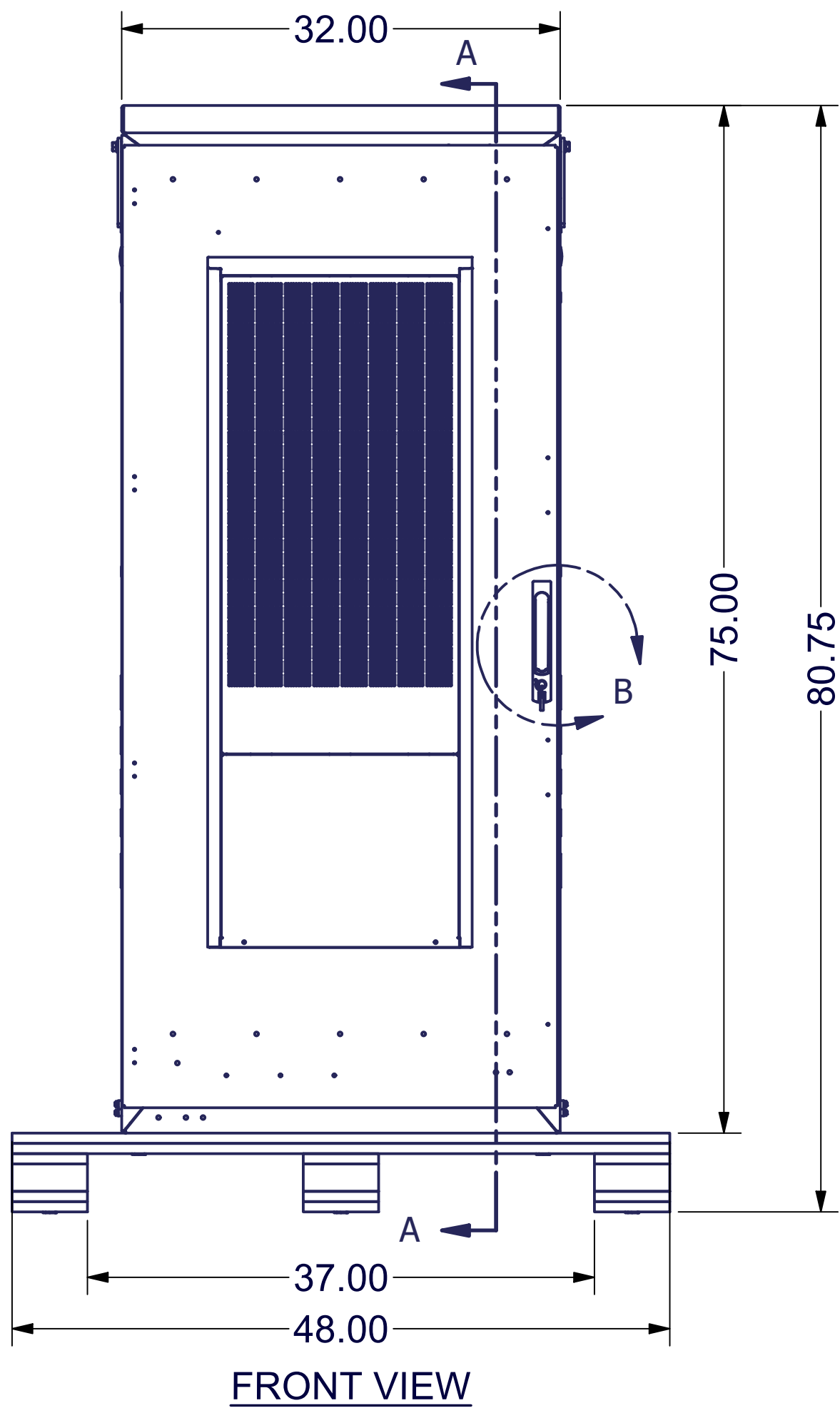
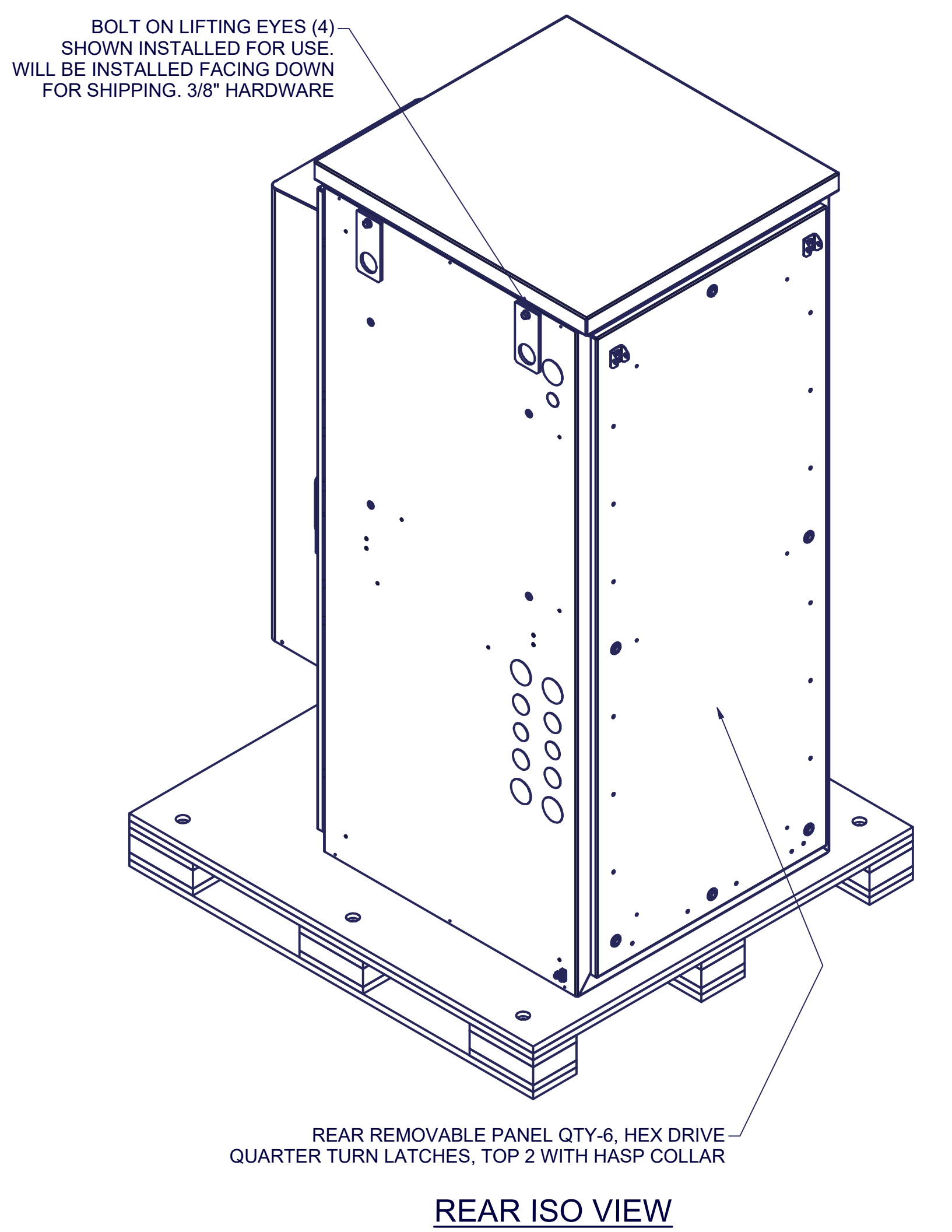
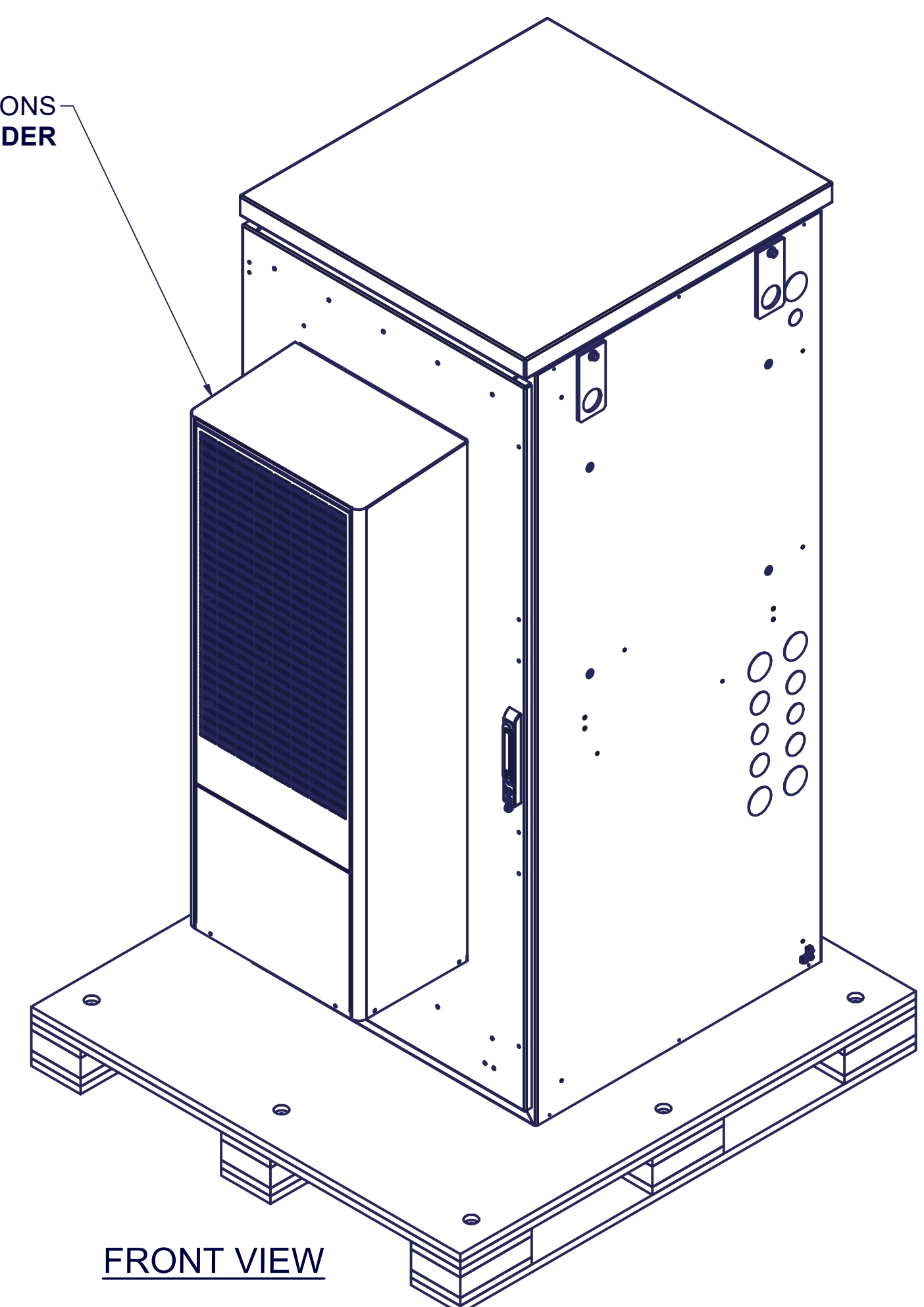
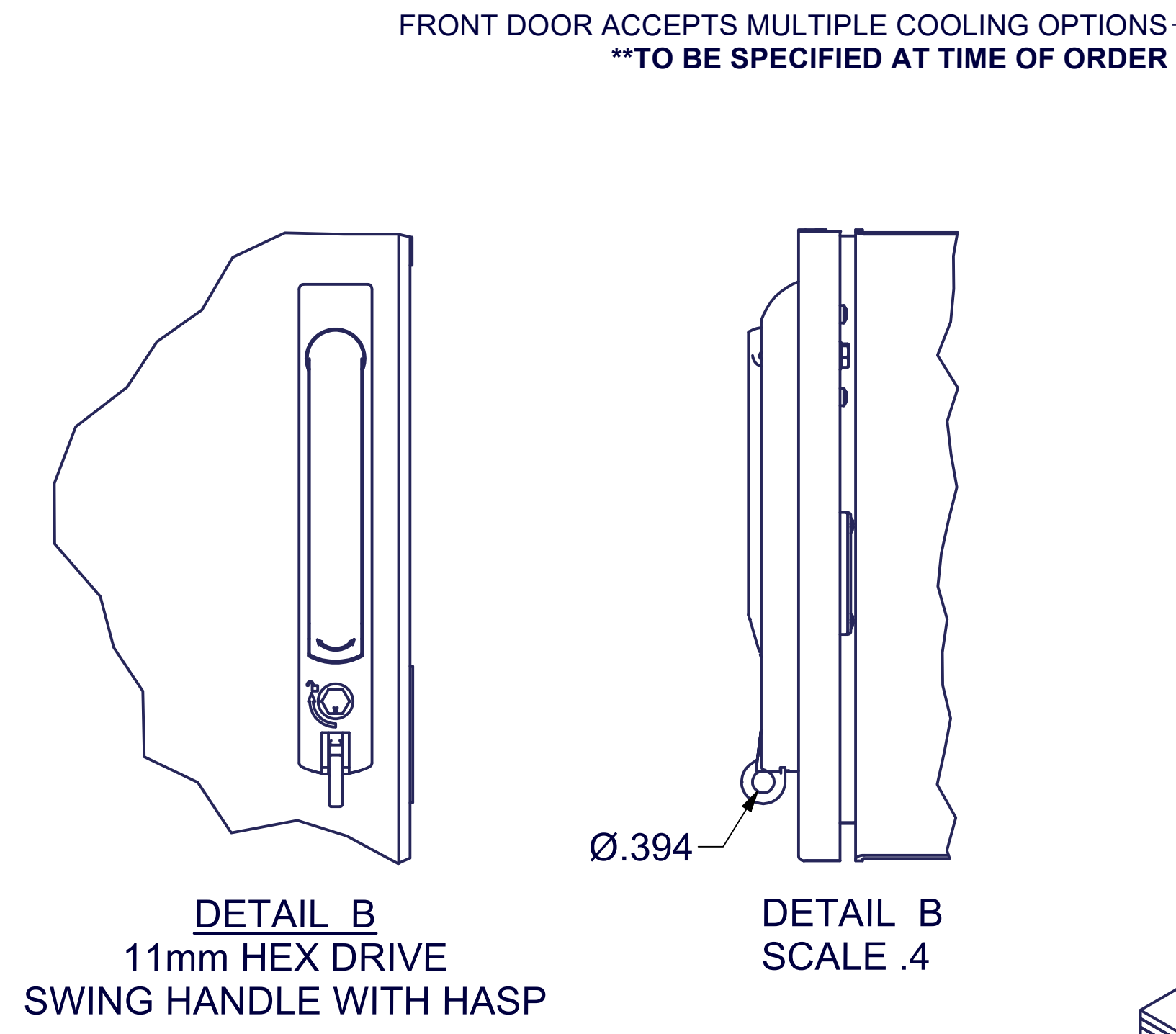
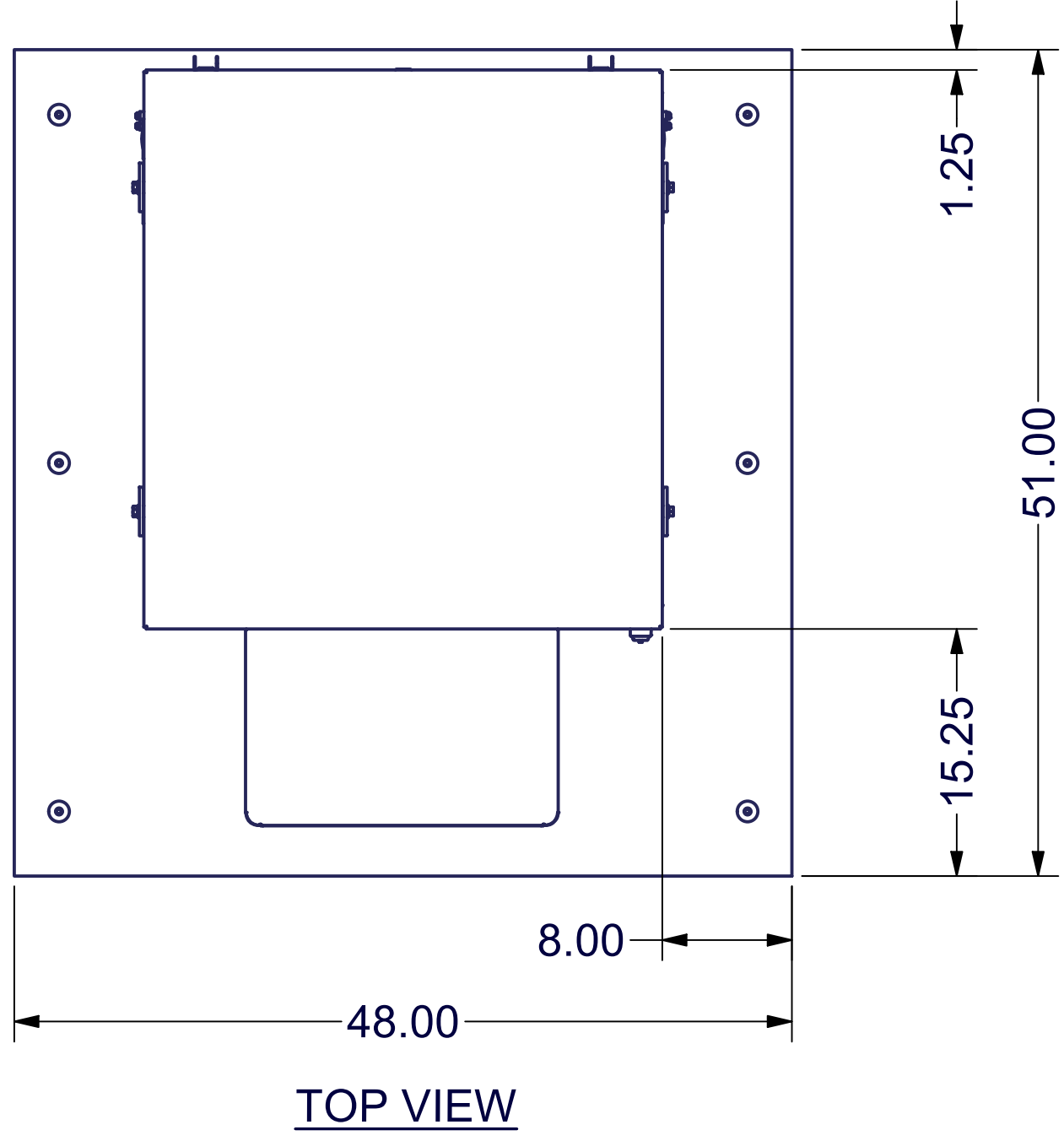


REVISION HISTORY			
REV	DESCRIPTION	DATE	APPROVED
0		7/13/22	CND



NOTES AND SPECIFICATIONS:

- 39 RMU, 23" EIA, #12-24 TAPPED HOLES RAILS, 75"H X 32"D X 32"W
- TYPE 3, CONSTRUCTION, .10" THK AL. WELDED FRAME
- POWDER COATED, TEXTURED BEIGE
- #12 GA. UNCOATED G60 GALV. EIA RAILS, AND SUPPORT BRACKETS
- 16 POSITION TIN PLATED COPPER BUS BAR, 5/8" LUG SPACING
- 24 POSITION PHOENIX CONNECTOR WITH UNCOTED MTG. PLATE AND LABEL
- FRONT DOOR, WITH HEX DRIVE, SWING HANDLE MULTI-POINT LATCHING & WIND STOP
- DOOR / REAR PANEL SENSOR SWITCHES FOR COOLING ACTIVATION & INTRUSION ALARM
- GFCI DUPLEX AND JUNCTION BOX. 120V 15A
- LED LIGHT STRIP 48V DC, WITH FRONT DOOR SWITCH, (QTY-1)
- COMPLIANCE AND CERTIFICATIONS
ENCLOSURE NEMA 250 TYPE 3 RATED
UL508A
EQUIPMENT RAILS 23" EIA 310-E COMPLIANT; 19"EIA RAILS AVAILABLE; CONTACT A GL SALES MANAGER

PART NUMBER DESIGNATION:
GLBX03-5G-AC COMPLETE CABINET AND SPECIFIED ACCESSORIES; INCLUDES CABINET INSULATION (NOT PICTURED); FRONT DOOR CONFIGURED WITH AC UNIT: 6000 BTU/h (1750 WATTS) w/ 500 WATT HEATER*
GLBX03-5G-HX COMPLETE CABINET AND SPECIFIED ACCESSORIES; FRONT DOOR CONFIGURED WITH HEAT EXCHANGER: 120 WATTS /°F RATING. (@15 Δ °F CAPACITY : 1800 WATTS) w/ 500 WATT HEATER*

*ADDITIONAL COOLING OPTIONS AVAILABLE; CONTACT A GL SALES MANAGER FOR INFO

EST. WEIGHT :
N/A

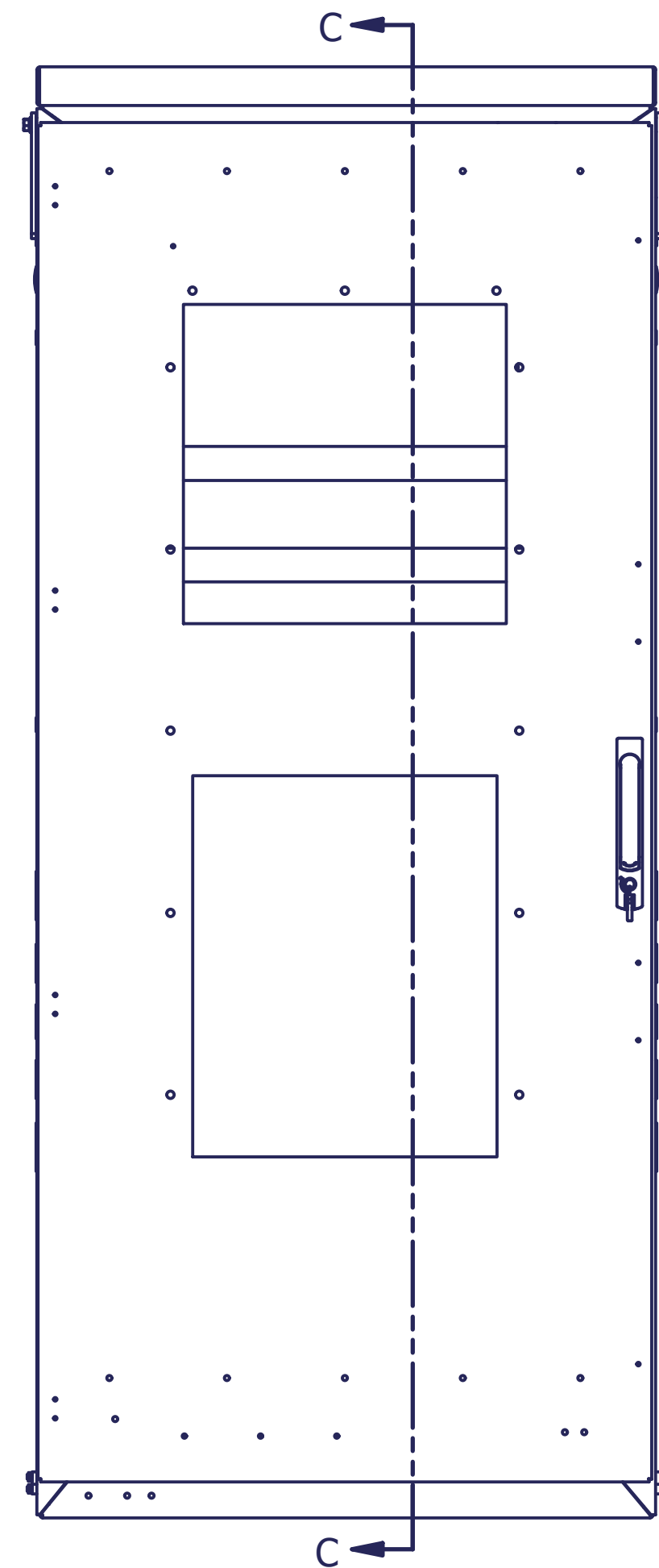
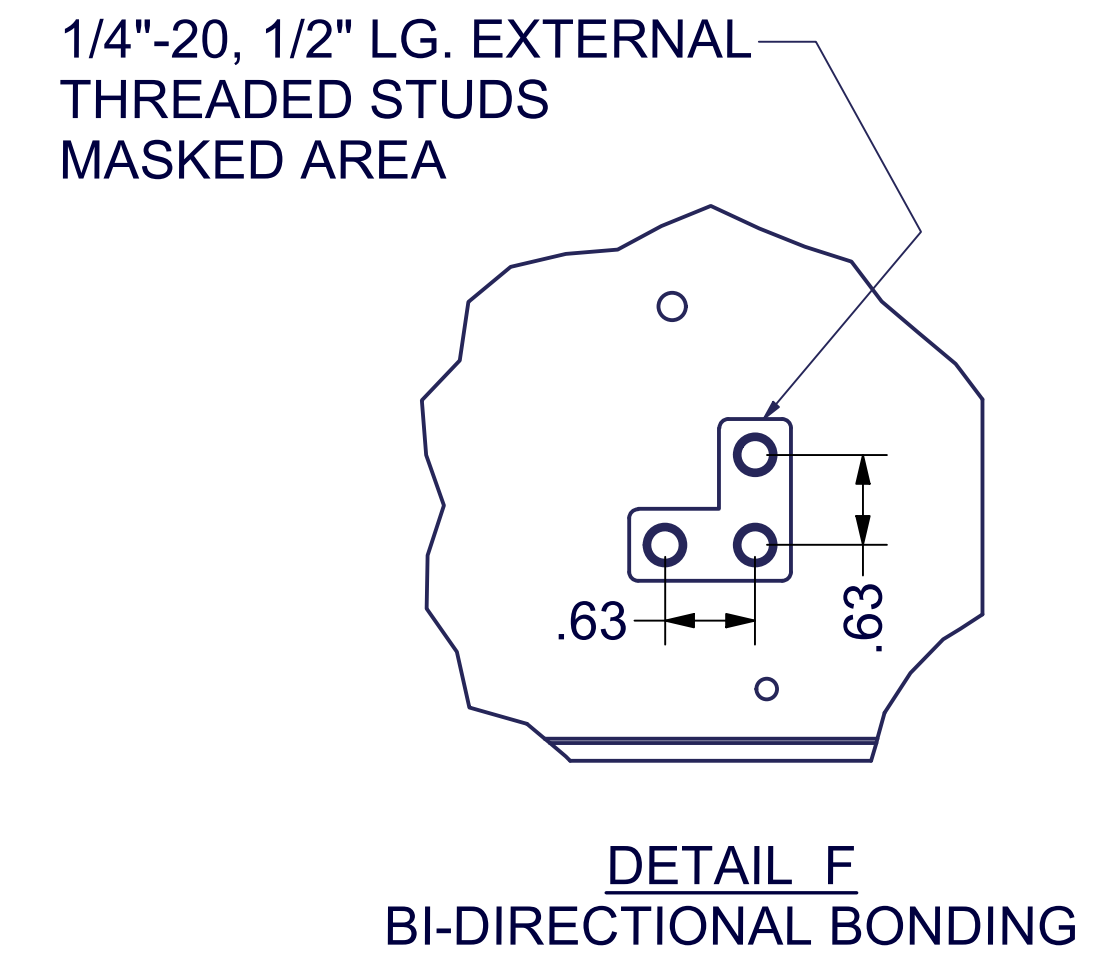
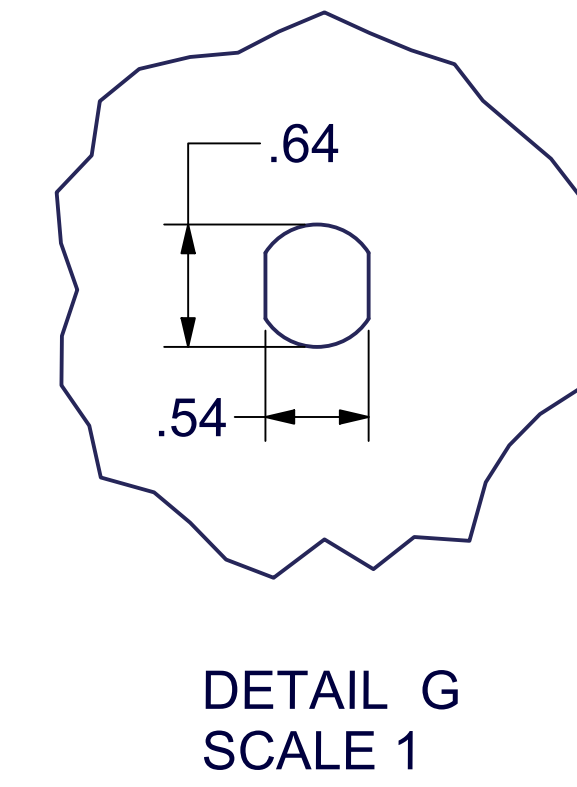
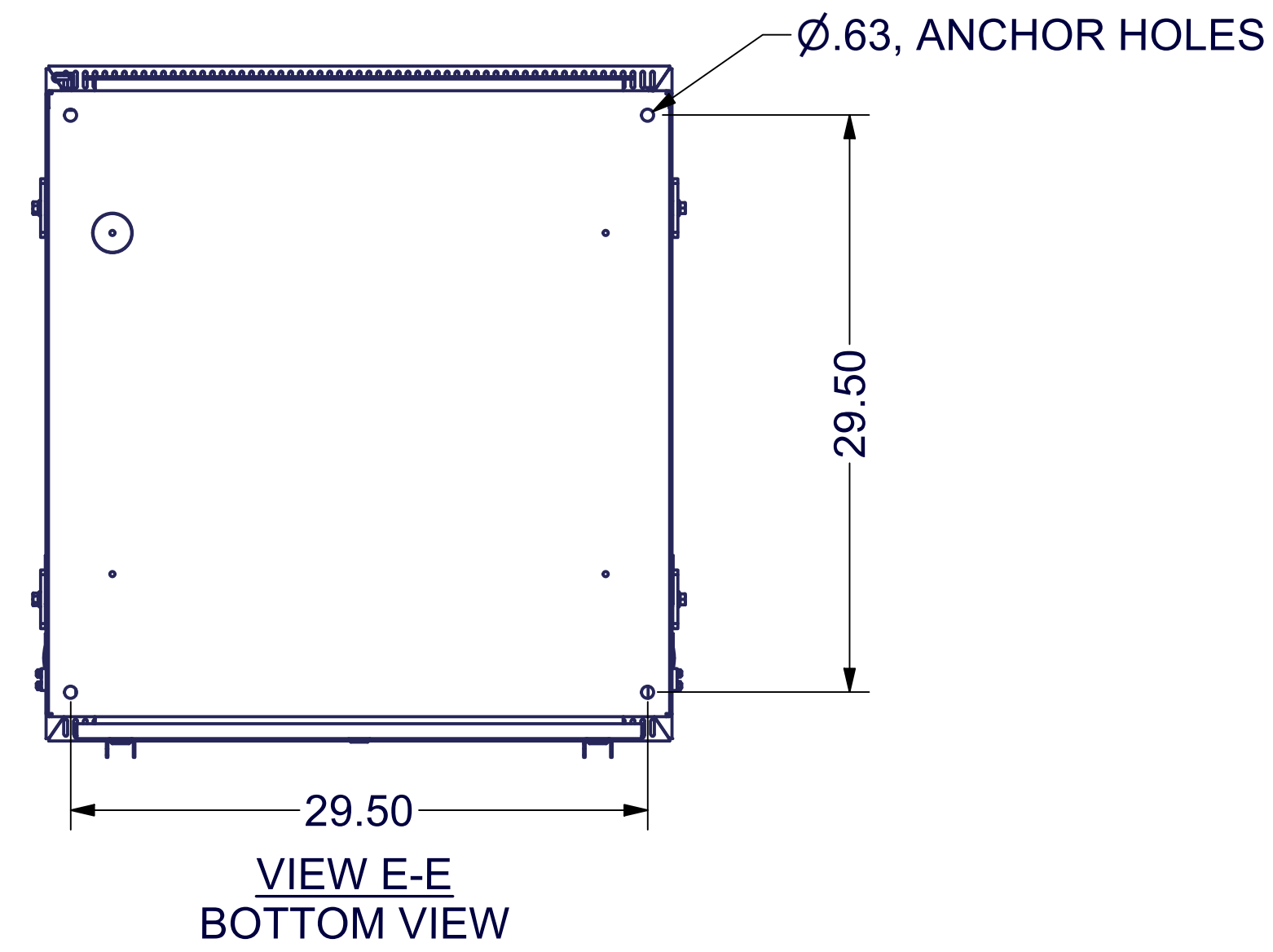
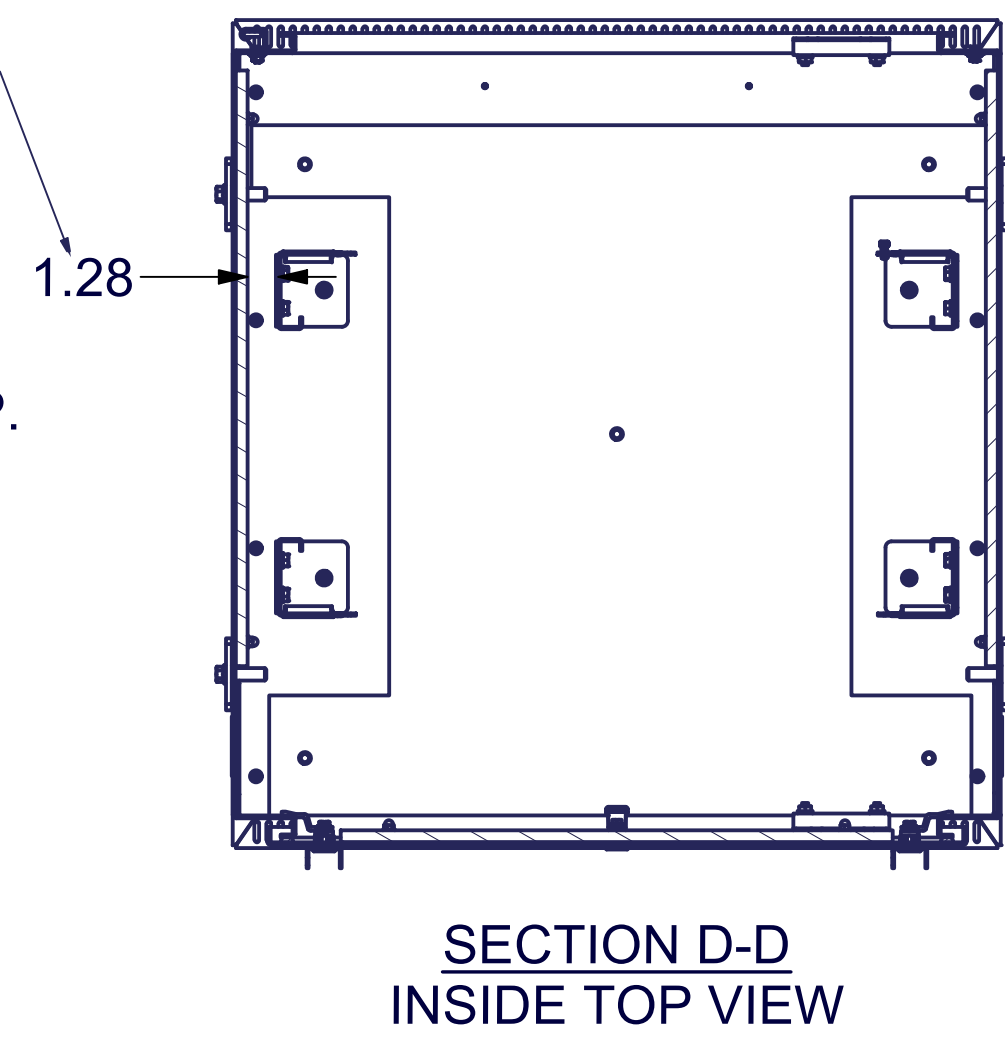
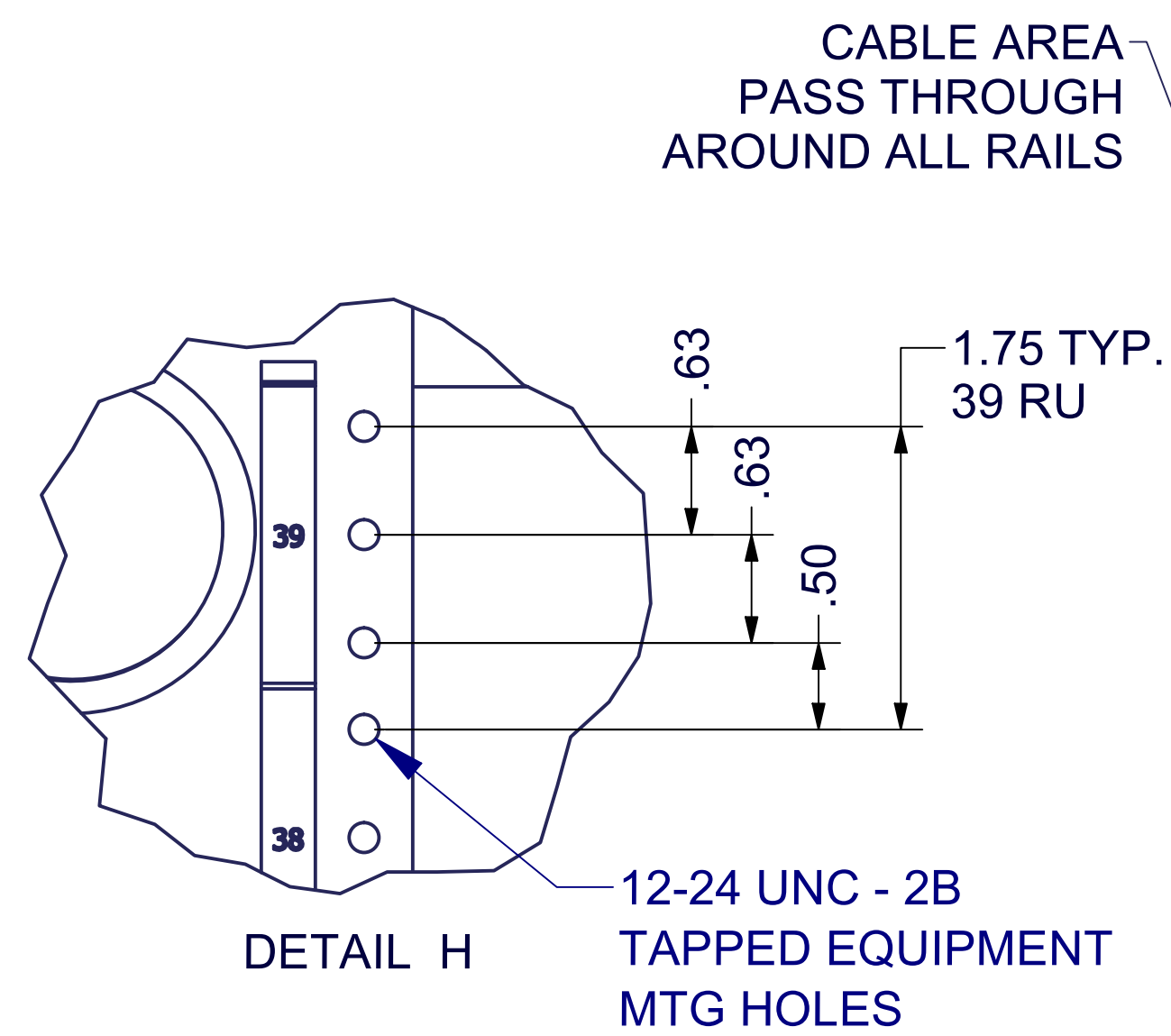
INTERPRET DRAWING PER ASME Y14.5M-1994
DIMENSIONAL LIMITS APPLY AFTER APPLICATION OF FINISH
DRAWING NOT TO SCALE
TOLERANCE UNLESS OTHERWISE NOTED:
ANGULAR +/- .1°
.XXXX +/- .010
.XXX +/- .015
.XX +/- .030
.X FOR REF. ONLY
UNLESS OTHERWISE SPECIFIED ALL DIMENSIONS ARE IN INCHES

NOTICE:

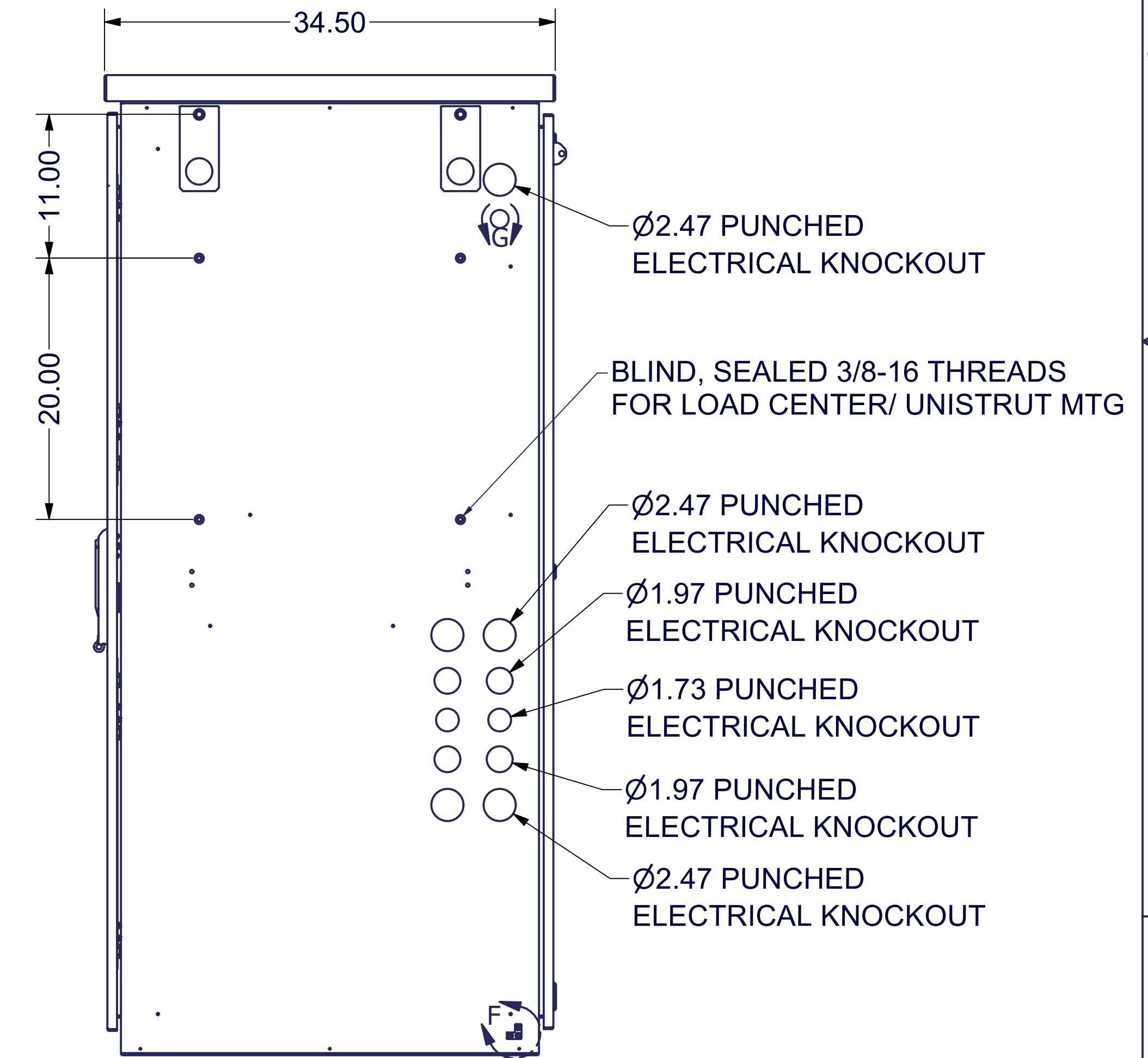
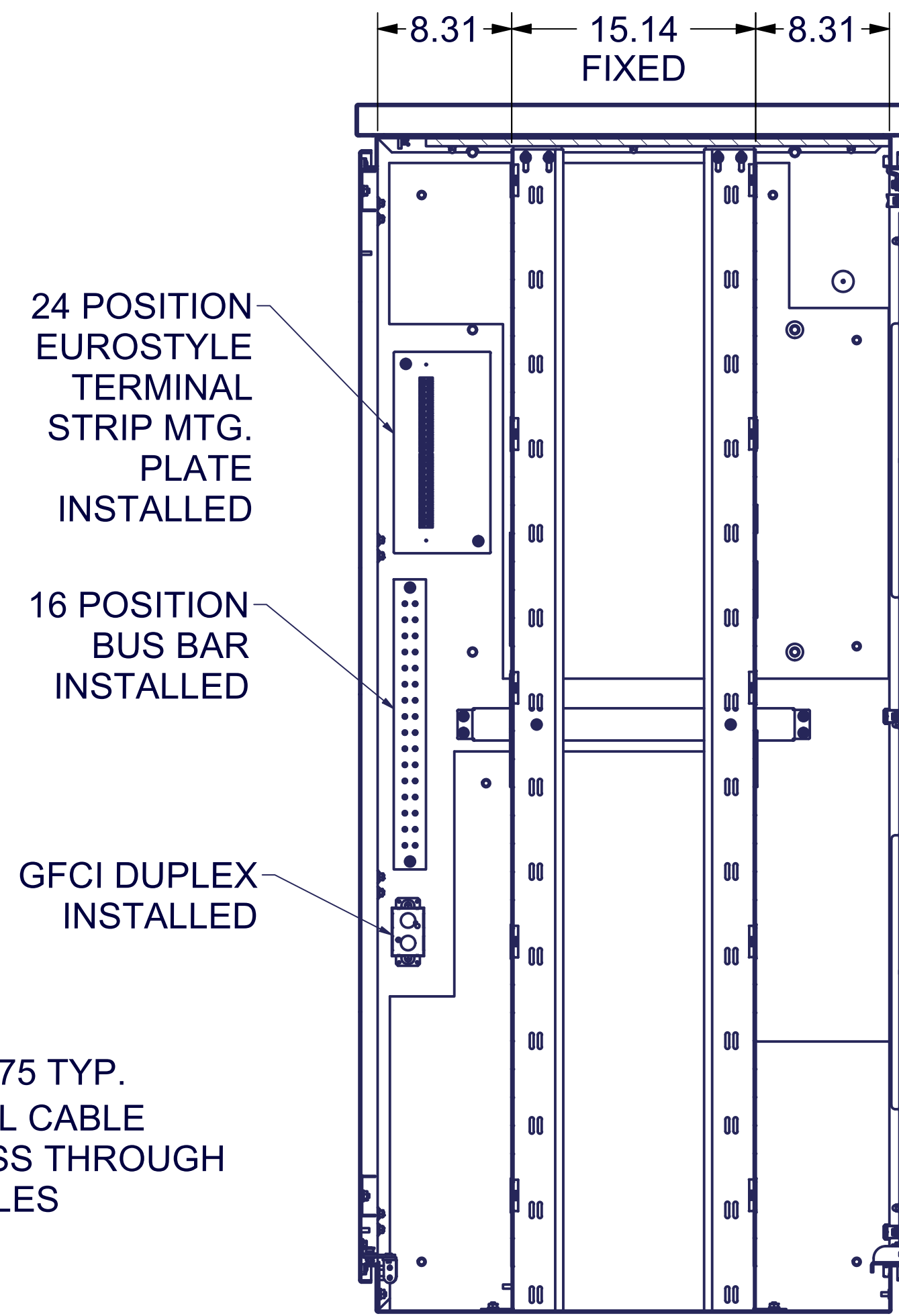
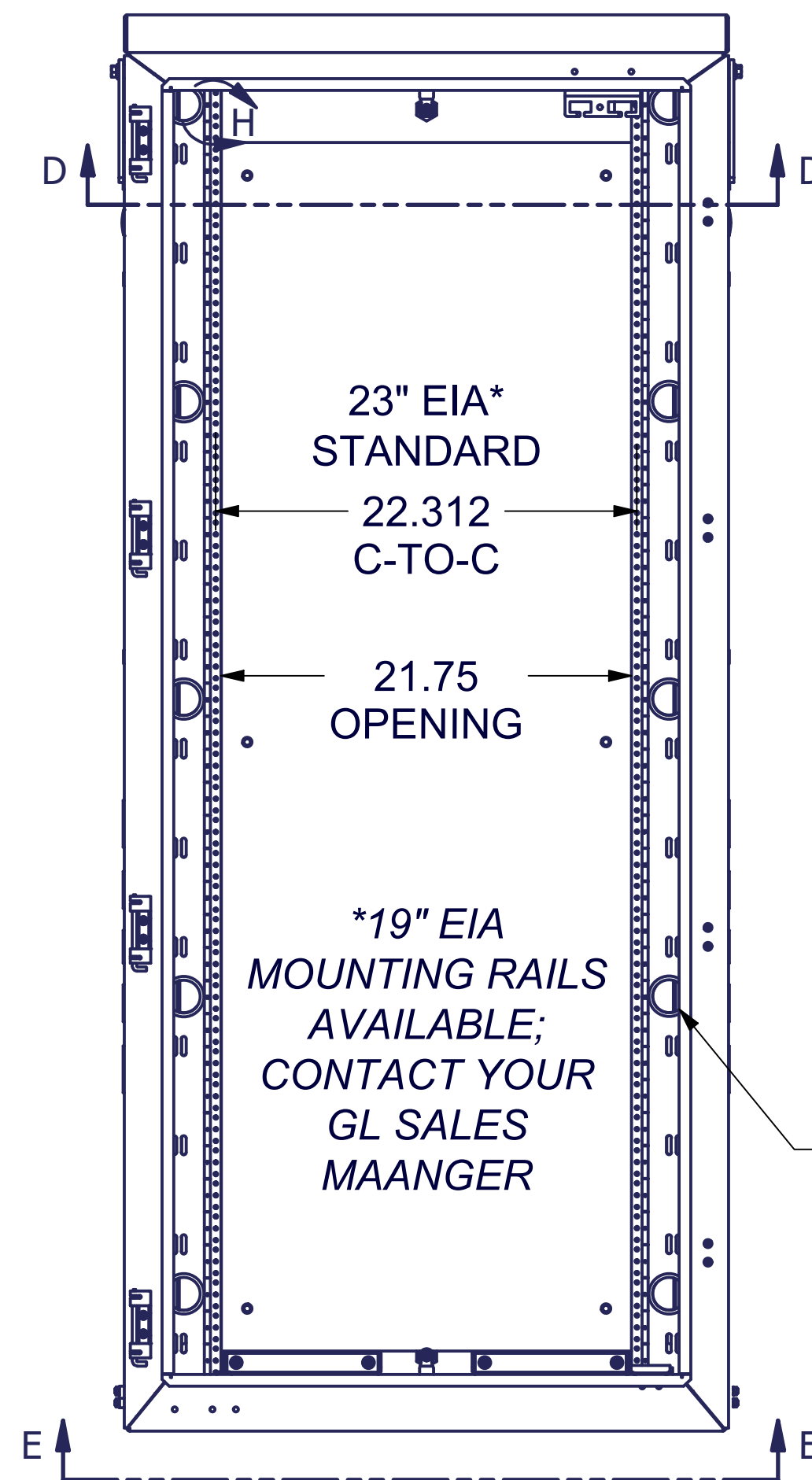
Use of this document is subject to a confidentiality and nondisclosure agreement with Great Lakes Data Racks & Cabinets and may not be reproduced, disclosed or utilized in whole or in part without prior written authorization from Great Lakes.

PART NUMBER: SEE NOTES	
MATERIAL TYPE: .10" AL.	
MATERIAL GAUGE:	
FINISH: POWDER COAT	
DRAWN CND	DATE 6/22/2022
CHECKED & APP. CND	DATE 7/13/22

TITLE 39 RMU, 75" H X 32" WIDE 32" DEEP, TYPE 3 ENCLOSURE	
GREAT LAKES DATA RACKS & CABINETS P.O. BOX 551 EDINBORO, PA 16412 PHONE (814) 734-7303 FAX (814) 734-3907 E-MAIL info@greatcabinets.com	
DWG NO: GLBX03-5G	REV 0
SHEET: 1 OF 3	



(NOTE: DOOR IS SPECIFIC TO A/C
OR HX INSTALLATION;
DOOR CUTOUTS VARY BASED
ON CHOSEN UNIT)



FRONT VIEW
AIR CONDITIONER NOT SHOWN

FRONT VIEW
DOORS NOT SHOWN

SECTION C-C

SIDE VIEW
TYP. BOTH SIDES

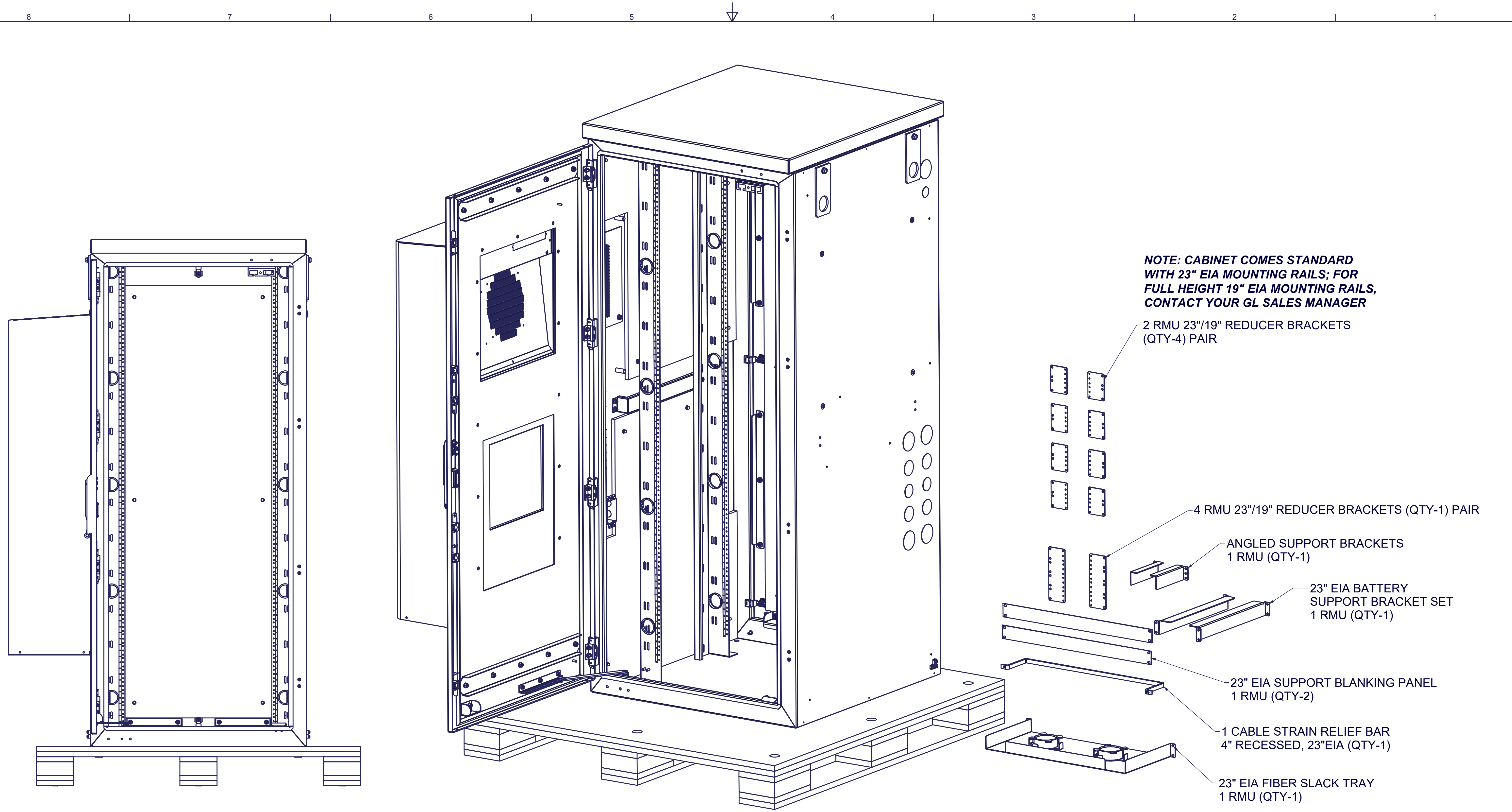
INTERPRET DRAWING PER ASME Y14.5M-1994
DIMENSIONAL LIMITS APPLY AFTER APPLICATION OF FINISH
DRAWING NOT TO SCALE
TOLERANCE UNLESS OTHERWISE NOTED:
ANGULAR +/- 1°
.XXXX +/- .010
.XXX +/- .015
.XX +/- .030
.X FOR REF. ONLY
UNLESS OTHERWISE SPECIFIED ALL DIMENSIONS ARE IN INCHES

NOTICE:
Use of this document is subject to a confidentiality and nondisclosure agreement with Great Lakes Data Racks & Cabinets and may not be reproduced, disclosed or utilized in whole or in part without prior written authorization from Great Lakes.

PART NUMBER:	SEE NOTES
MATERIAL TYPE:	.10" AL
MATERIAL GAUGE:	
FINISH:	POWDER COAT
DRAWN	DATE
CND	6/22/2022
CHECKED & APP.	DATE
	7/13/22

TITLE	39 RMU, 75" H X 32" WIDE 32" DEEP, TYPE 3 ENCLOSURE
GREAT LAKES DATA RACKS & CABINETS P.O. BOX 551 EDINBORO, PA 16412 PHONE (814) 734-7303 FAX (814) 734-3907 E-MAIL info@greatcabinets.com	
DWG NO:	GLBX03-5G
REV	0
SHEET:	2 OF 3

EST. WEIGHT:	N/A
THIRD ANGLE PROJECTION	



NOTE: CABINET COMES STANDARD WITH 23" EIA MOUNTING RAILS; FOR FULL HEIGHT 19" EIA MOUNTING RAILS, CONTACT YOUR GL SALES MANAGER

- 2 RMU 23"/19" REDUCER BRACKETS (QTY-4) PAIR
- 4 RMU 23"/19" REDUCER BRACKETS (QTY-1) PAIR
- ANGLED SUPPORT BRACKETS 1 RMU (QTY-1)
- 23" EIA BATTERY SUPPORT BRACKET SET 1 RMU (QTY-1)
- 23" EIA SUPPORT BLANKING PANEL 1 RMU (QTY-2)
- 1 CABLE STRAIN RELIEF BAR 4" RECESSED, 23"EIA (QTY-1)
- 23" EIA FIBER SLACK TRAY 1 RMU (QTY-1)

OPEN VIEW
(ACCESSORIES NOT SHOWN FOR CLARITY)

ITEMS SHIP NOT INSTALLED

EST. WEIGHT : N/A	INTERPRET DRAWING PER ASME Y14.5M-1994 DIMENSIONAL LIMITS APPLY AFTER APPLICATION OF FINISH	NOTICE: Use of this document is subject to a confidentiality and nondisclosure agreement with Great Lakes Data Racks & Cabinets and may not be reproduced, disclosed or utilized in whole or in part without prior written authorization from Great Lakes.	PART NUMBER: SEE NOTES		TITLE 39 RMU, 75" H X 32" WIDE 32" DEEP, TYPE 3 ENCLOSURE	
	DRAWING NOT TO SCALE TOLERANCE UNLESS OTHERWISE NOTED: ANGULAR +/- .1" .XXXX +/- .010 .XXX +/- .015 .XX +/- .030 .X FOR REF. ONLY		MATERIAL TYPE: .10" AL	GREAT LAKES DATA RACKS & CABINETS P.O. BOX 551 EDINBORO, PA 16412 PHONE (814) 734-7303 FAX (814) 734-3907 E-MAIL info@greatcabinets.com		
THIRD ANGLE PROJECTION	UNLESS OTHERWISE SPECIFIED ALL DIMENSIONS ARE IN INCHES		DRAWN CND	DATE 6/22/2022	DWG NO: GLBX03-5G	REV 0
			CHECKED & APP. DATE 7/13/22		SHEET: 3 OF 3	