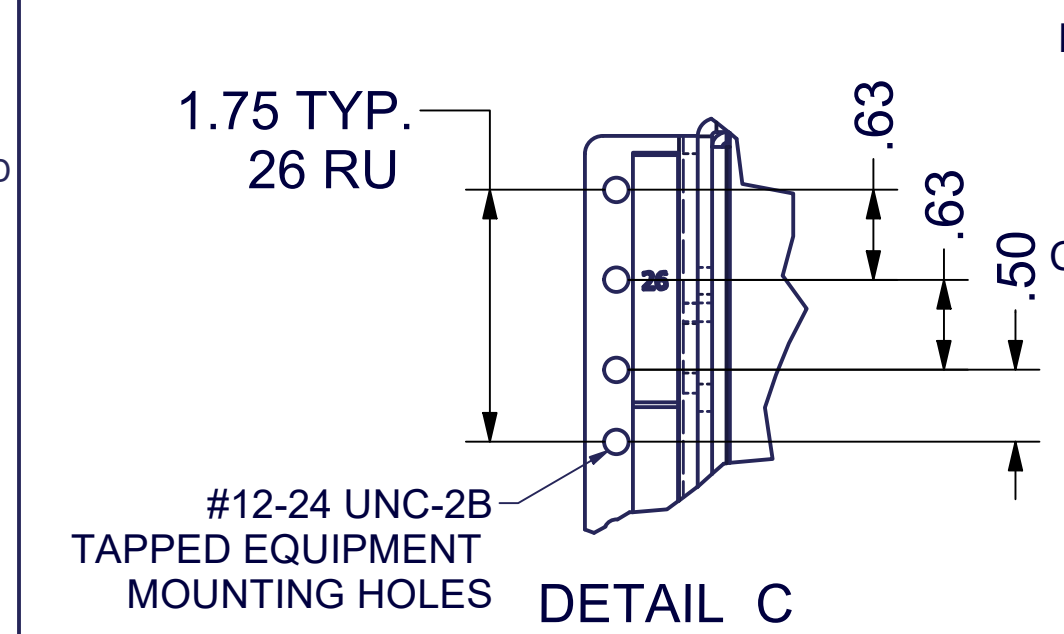
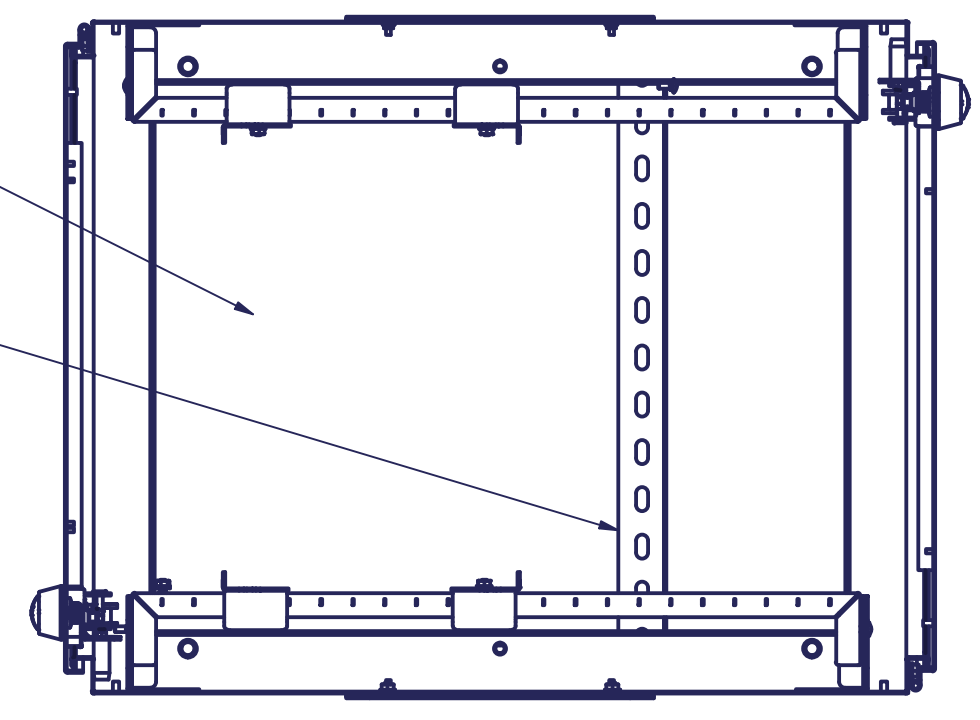


REVISION HISTORY			
REV	DESCRIPTION	DATE	APPROVED
0		7/15/22	CND

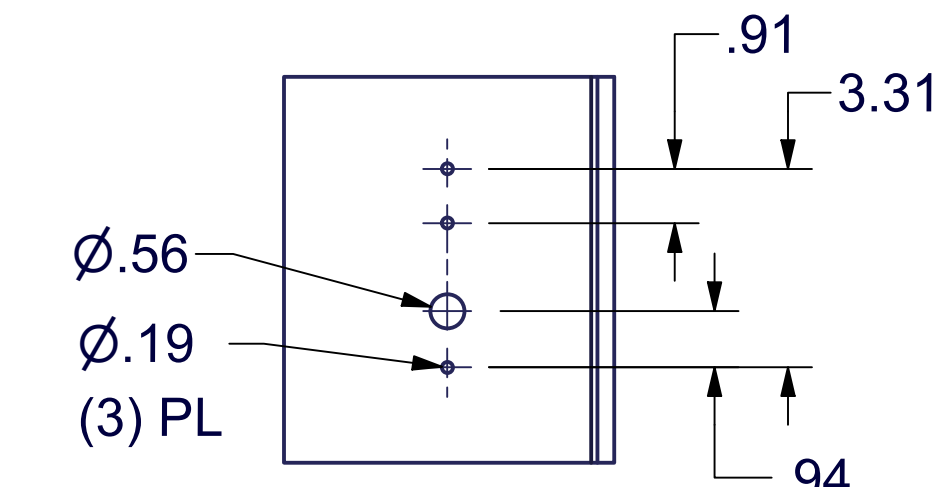


ENCLOSURE OPEN BOTTOM FOR PASS THROUGH TO PLINTH

ADJUSTABLE STRAIN RELIEF CABLE BAR IN PAD MOUNT PLINTH



SECTION B-B



RFID CARD READER PROVISION ON FRONT DOOR ONLY, SHIPS WITH COVER PLATE INSTALLED

3/8-16 X 2.25" L 304 SS LIFTING EYE, ACCEPTS SUN SHIELD (INCLUDED)

LOCK KEYS BAGGED AND SHIPS OUTSIDE OF FRAME ATTACHED TO LIFTING EYE

SEAMS FULLY WELDED AND GROUND SMOOTH

OPTIONAL RFID CARD READER PROVISION

IP RATED ACCESS CONTROL WITH (3) PT LATCHING; FRONT AND REAR DOOR

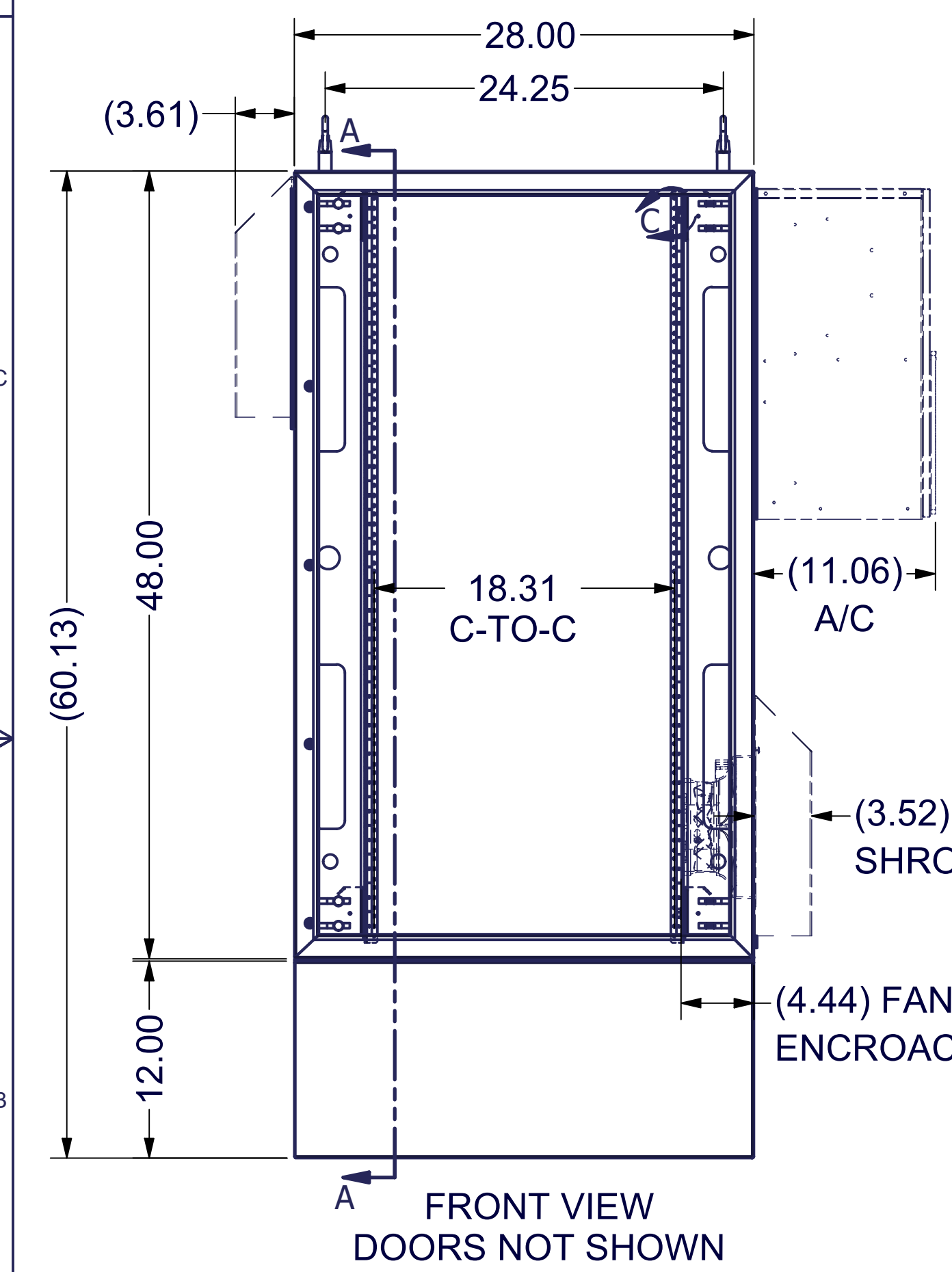
3/8-16 RIV NUTS FOR ENCLOSURE INSTALLATION

SEAMS FULLY WELDED AND GROUND SMOOTH

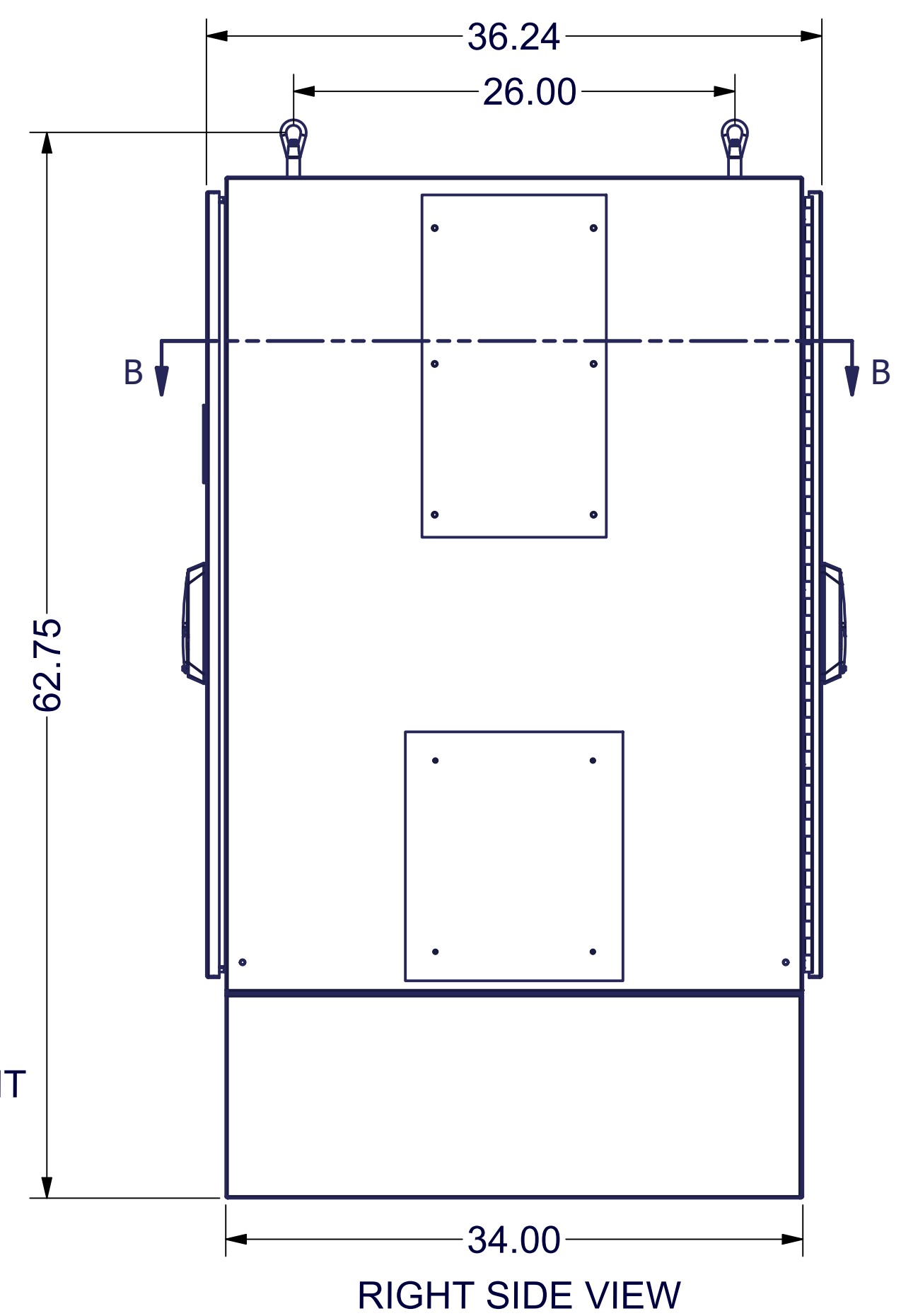
PAD MOUNT PLINTH WITH COVER INCLUDED AND 5/16-18 MOUNTING HARDWARE INCLUDED, SHIPS NOT INSTALLED

TEMPORARY PLINTH COVER DOUBLES AS SUNSHIELD 16 GA GALV

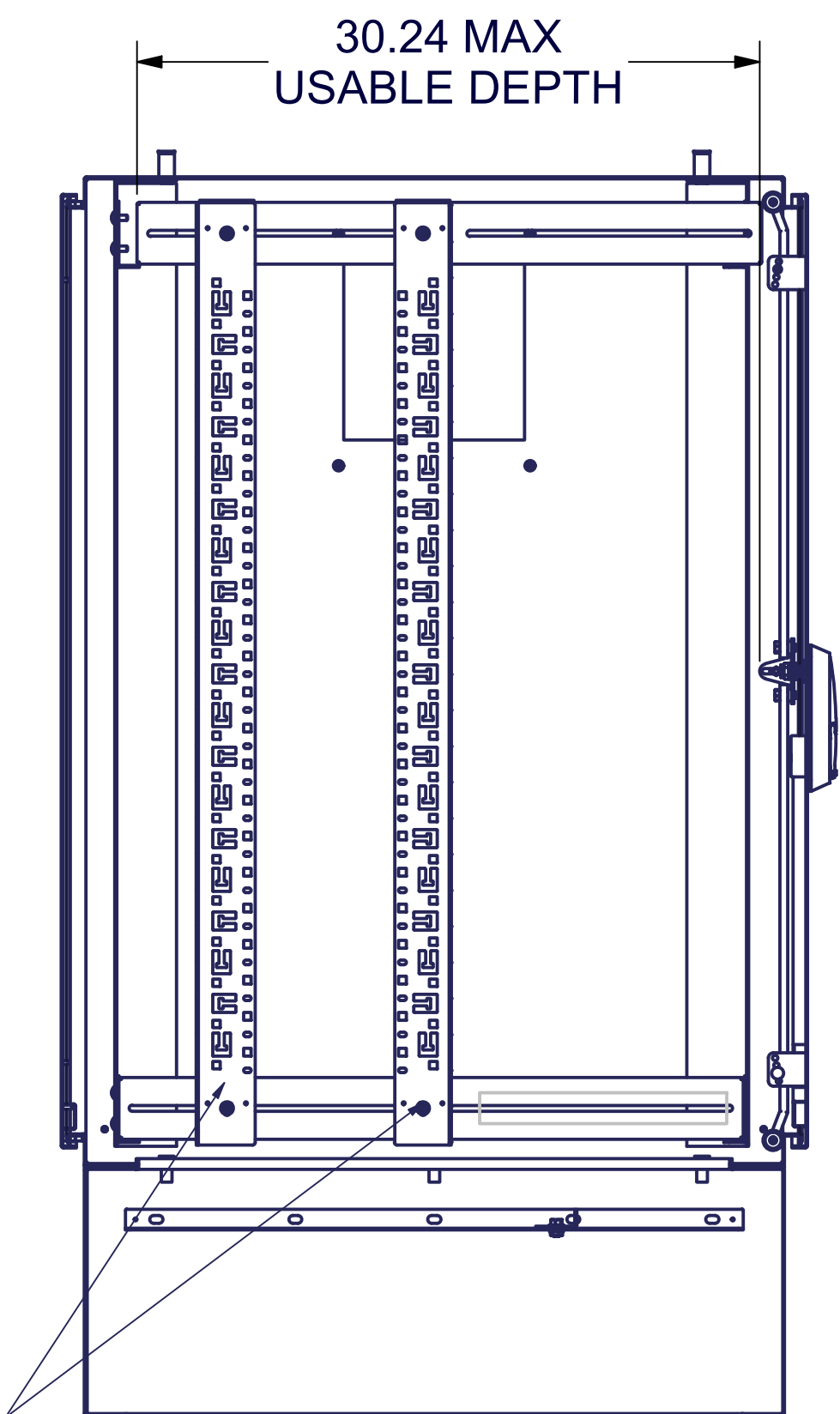
GASKETED PLINTH



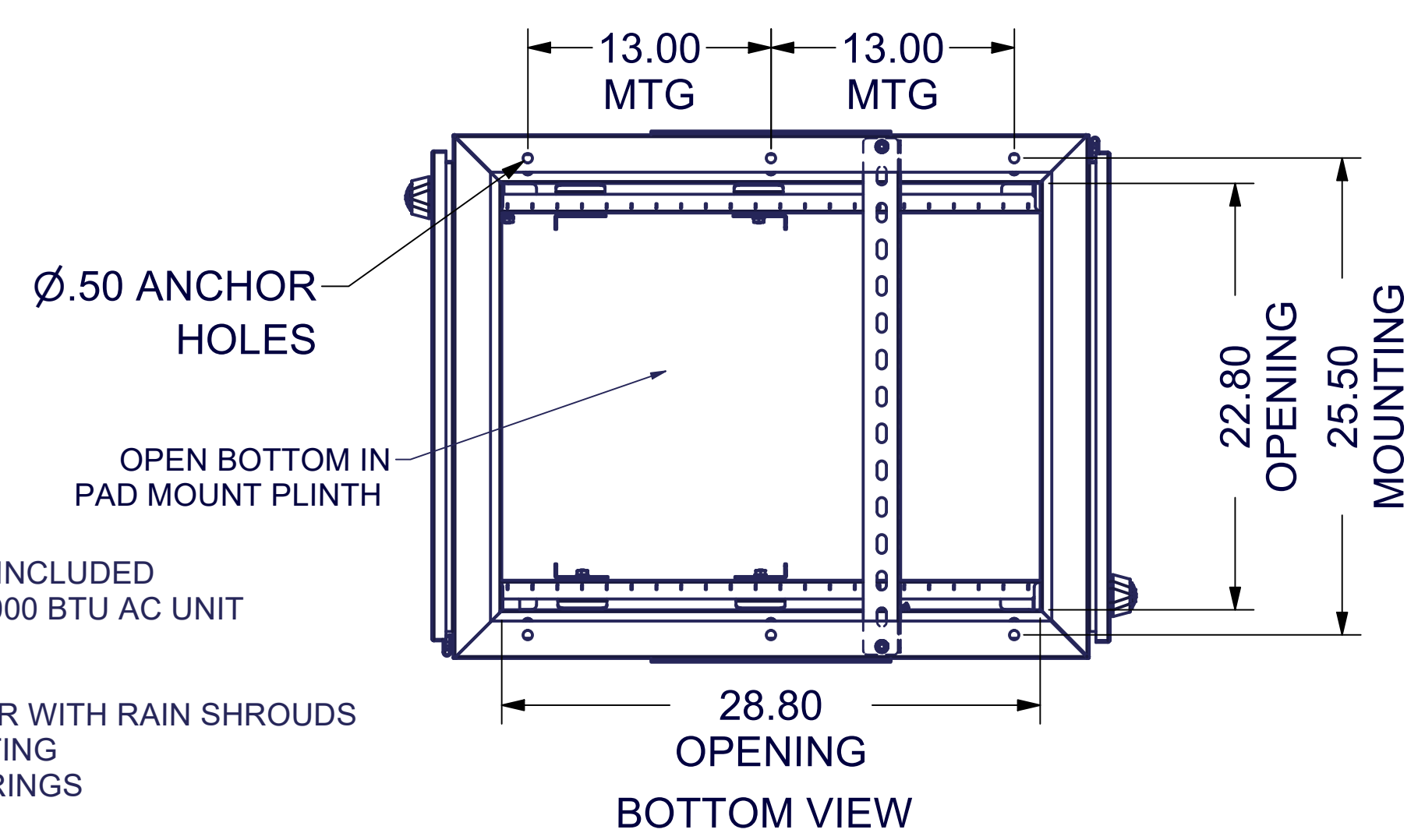
FRONT VIEW DOORS NOT SHOWN



RIGHT SIDE VIEW



SECTION A-A



BOTTOM VIEW

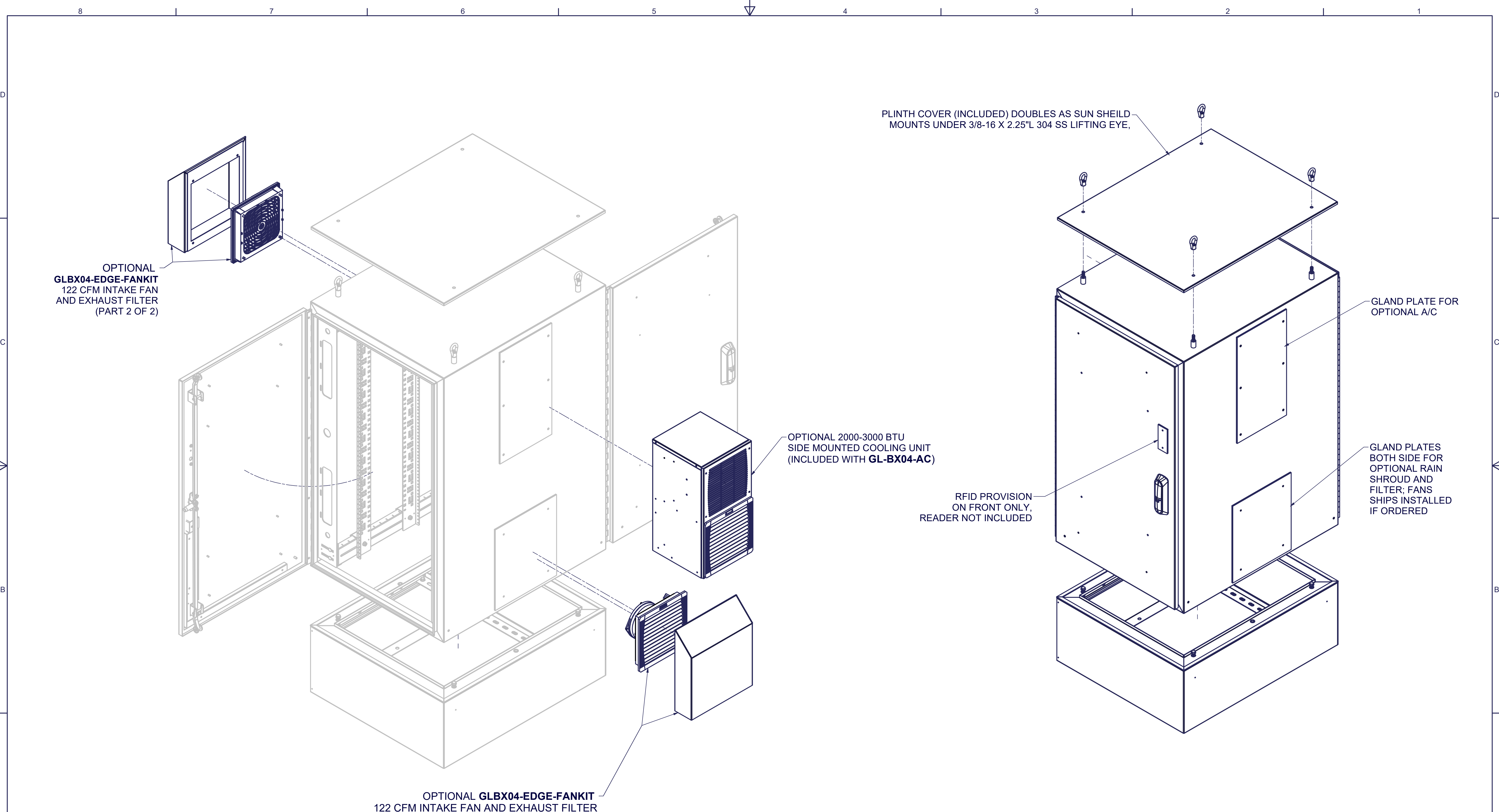
NOTES AND SPECIFICATIONS:

- ENCLOSURE FULLY WELDED CONSTRUCTION WITH INTEGRATED SIDES, IP RATED ACCESS CONTROL FRONT AND REAR 3 POINT LATCH DOORS, AND LIFT EYES
MATERIAL: 14 GA (.072") G60 GALV, FINISH: POWDERCOAT, COLOR: TEXTURED BEIGE
- PAD MOUNT PLINTH INCLUDED, PRE-GASKETED WITH COVER (USE AS SUN SHIELD)
MATERIAL: 16 GA (.06") G60 GALV, FINISH: POWDERCOAT
- 2 PAIR, 26RMU EQUIPMENT MOUNTING RAILS
MATERIAL: 12 GA (.10") CRS, FINISH: POWDERCOAT w/ ZINC RICH PRIMER
- COMPLIANCE AND CERTIFICATIONS
ENCLOSURE NEMA 250 TYPE 4 RATED
EQUIPMENT RAILS 19" EIA 310-E COMPLIANT

PART NUMBER DESIGNATION:
GLBX04-EDGE COMPLETE CABINET, NO COOLING OPTION INCLUDED
GLBX04-EDGE-AC COMPLETE CABINET, INCLUDES 2000- 3000 BTU AC UNIT

ADDITIONAL OPTIONS/ ADD ON:
GLBX04-FANKIT 122 CFM INTAKE FAN AND EXHAUST FILTER WITH RAIN SHROUDS
GLBX04-HEATER 400 WATT HEATER WITH DIN RAIL MOUNTING
CM-25/CM-26 1/4 TURN PLASTIC CABLE MANAGEMENT "D" RINGS
GLBX04-AC 2000- 3000 BTU AC, SEE SHEET 2

SHEET METAL RULE	INTERPRET DRAWING PER ASME Y14.5M-1994	NOTICE: Use of this document is subject to a confidentiality and nondisclosure agreement with Great Lakes Case & Cabinet Co., Inc. (GLCC) and may not be reproduced, disclosed or utilized in whole or in part without prior written authorization from GLCC.	PART NUMBER: GLBX04-EDGE	TITLE: 48"H X 28"W X 34"D PAD MT WITH PLINTH BASE TYPE 4 ENCLOSURE ASSY
	DIMENSIONAL LIMITS APPLY AFTER APPLICATION OF FINISH DRAWING NOT TO SCALE		MATERIAL TYPE: SEE NOTES	GREAT LAKES CASE & CABINET CO., INC. P.O. BOX 551 EDINBORO, PA 16412 PHONE (814) 734-7303 FAX (814) 734-3907 E-MAIL glcc@greatcabinets.com
EST. WEIGHT: N/A	TOLERANCE UNLESS OTHERWISE NOTED: ANGULAR +/- .1" .XXXX +/- .010 .XXX +/- .015 .XX +/- .030 .X FOR REF. ONLY		FINISH: SEE NOTES	
THIRD ANGLE PROJECTION	UNLESS OTHERWISE SPECIFIED ALL DIMENSIONS ARE IN INCHES		DRAWN: JWW DATE: 11/2/2022 CHECKED & APP. CND DATE: 11/2/2022	DWG NO.: I-3431 REV: 0 SHEET: 1 OF 2



NOTE: AC AND FILTER/FAN CANNOT BE USED TOGETHER

SHEET METAL RULE		TOLERANCE UNLESS OTHERWISE NOTED: ANGULAR +/- 1° .XXXX +/- .010 .XXX +/- .015 .XX +/- .030 .X FOR REF. ONLY		THIRD ANGLE PROJECTION		UNLESS OTHERWISE SPECIFIED ALL DIMENSIONS ARE IN INCHES		NOTICE: Use of this document is subject to a confidentiality and nondisclosure agreement with Great Lakes Case & Cabinet Co., Inc. (GLCC) and may not be reproduced, disclosed or utilized in whole or in part without prior written authorization from GLCC.		PART NUMBER: GLBX04-EDGE		TITLE: 48"H X 28"W X 34"D PAD MT WITH PLINTH BASE TYPE 4 ENCLOSURE ASSY	
EST. WEIGHT : 63.65 lbmass								MATERIAL TYPE: SEE NOTES		MATERIAL GAUGE: SEE NOTES		GREAT LAKES CASE & CABINET CO., INC. P.O. BOX 551 EDINBORO, PA 16412 PHONE (814) 734-7303 FAX (814) 734-3907 E-MAIL glcc@greatcabinets.com	
								DRAWN DATE BTE 9/26/2019		CHECKED & APP. DATE CND 11/2/2022		DWG NO: 1-3431	
										REV 0		SHEET: 2 OF 2	