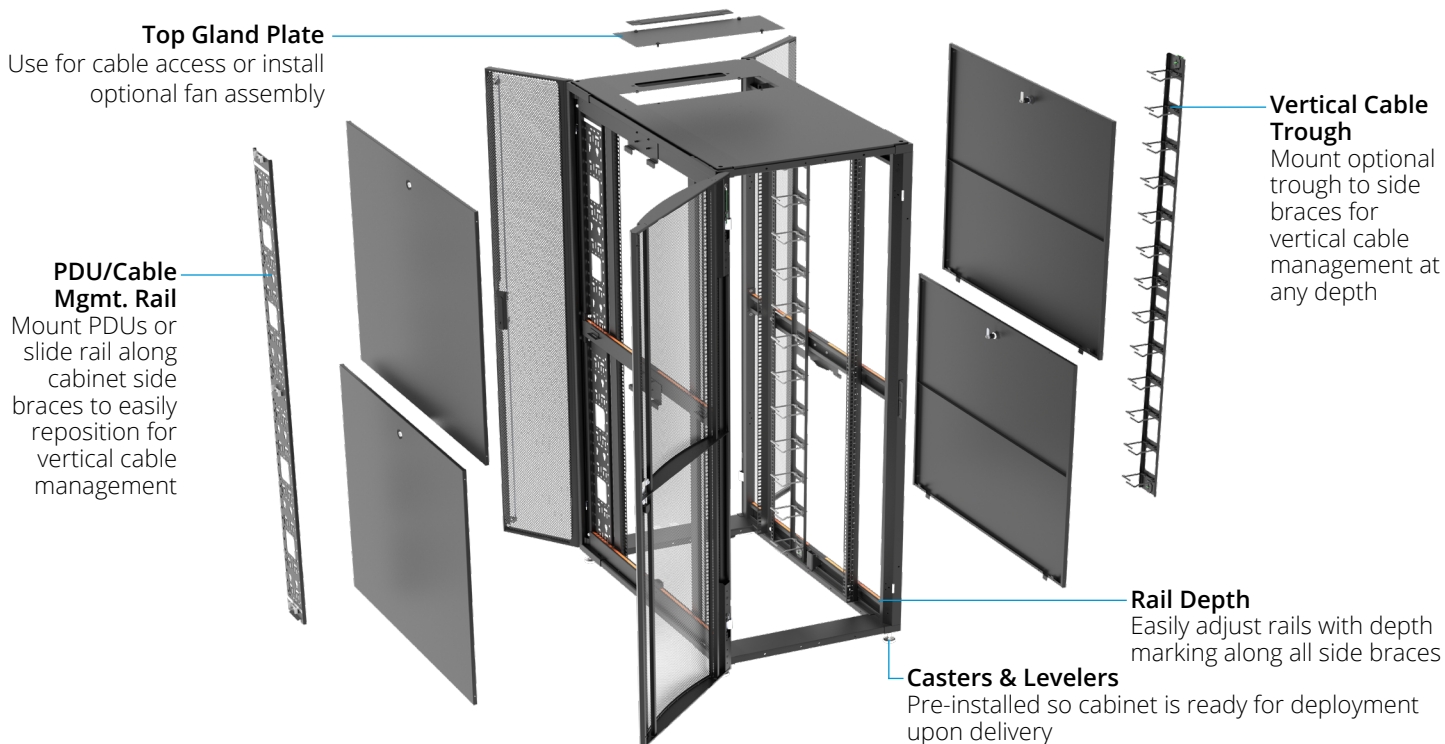


# L CABINETS

READY-TO-SHIP CABINET FOR SWIFT DEPLOYMENT OF ONE OR HUNDREDS

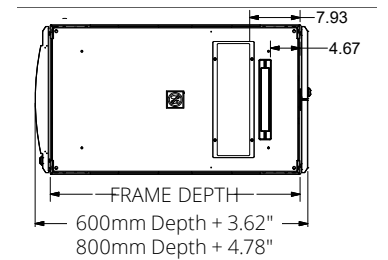
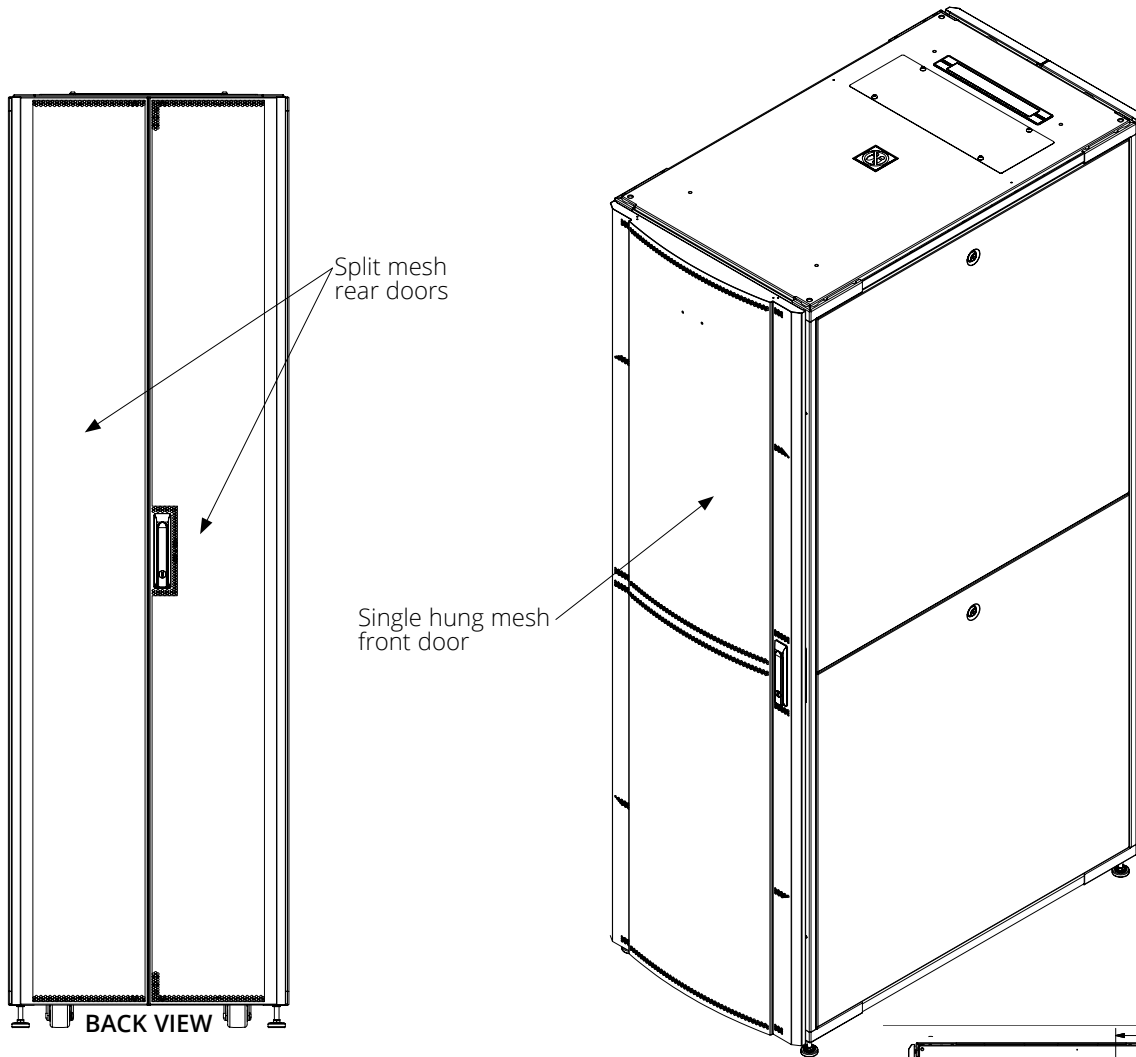


Height	Width*	Depth*	Example
GLXXXL	XX	XX-	Configured L cabinet
<b>910</b> (47U, 91")	<b>24</b>	<b>42</b>	<b>GL790L-2442MSS</b>
<b>790</b> (42U, 79")	<b>32</b>	<b>48</b>	

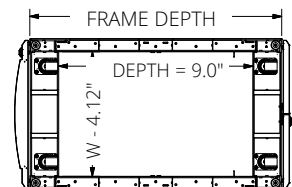
\* Note: dimensional numbers used for L cabinet part numbers are nominal. For exact dimensions, see dimensions chart on reverse

## FEATURES

- Frame with two pairs of 19" EIA mounting rails with RMU markings - Two pairs of 3/8" sq. (M6) rails installed
- Single PDU/cable management rail with keyhole pattern for button mounting PDUs and lacing point pattern for cinch straps
- Solid top panel
- Half-height solid side panels with locks
- Adjustable levelers (2.5"H) and casters installed
- Front mesh door with locking swing handle
- Rear split mesh door with locking swing handle
- 3000 lb. weight capacity
- Color: Black
- Standards: UL2416, RoHS II



TOP VIEW



BOTTOM VIEW

	Height w/ casters*	Height w/out casters	Width*	Depth*	Usable Depth	Max Rail Spacing
GL790L-2442	78.50"	76.50"	23.62"	39.37"	39.375"	35.25"
GL790L-2448	78.50"	76.50"	23.62"	47.24"	47.24"	43.125"
GL790L-3242	78.50"	76.50"	31.50"	39.37"	39.375"	35.25"
GL790L-3248	78.50"	76.50"	31.50"	47.24"	47.24"	43.125"
GL910L-2442	87.25"	76.50"	23.62"	39.37"	39.375"	35.25"
GL910L-2448	87.25"	76.50"	23.62"	47.24"	47.24"	43.125"
GL910L-3242	87.25"	76.50"	31.50"	39.37"	39.375"	35.25"
GL910L-3248	87.25"	76.50"	31.50"	47.24"	47.24"	43.125"

\* Cabinet ships with casters installed unless specified