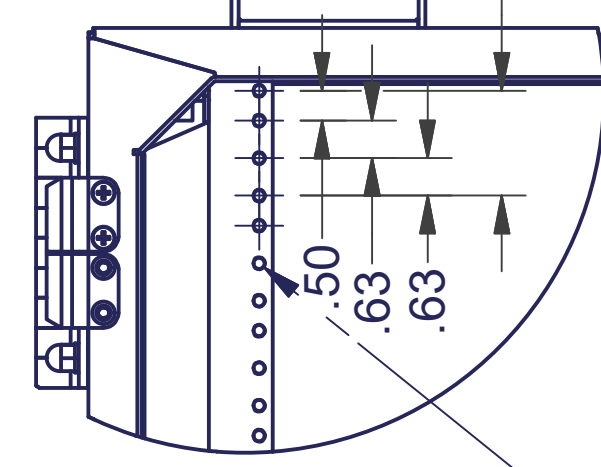
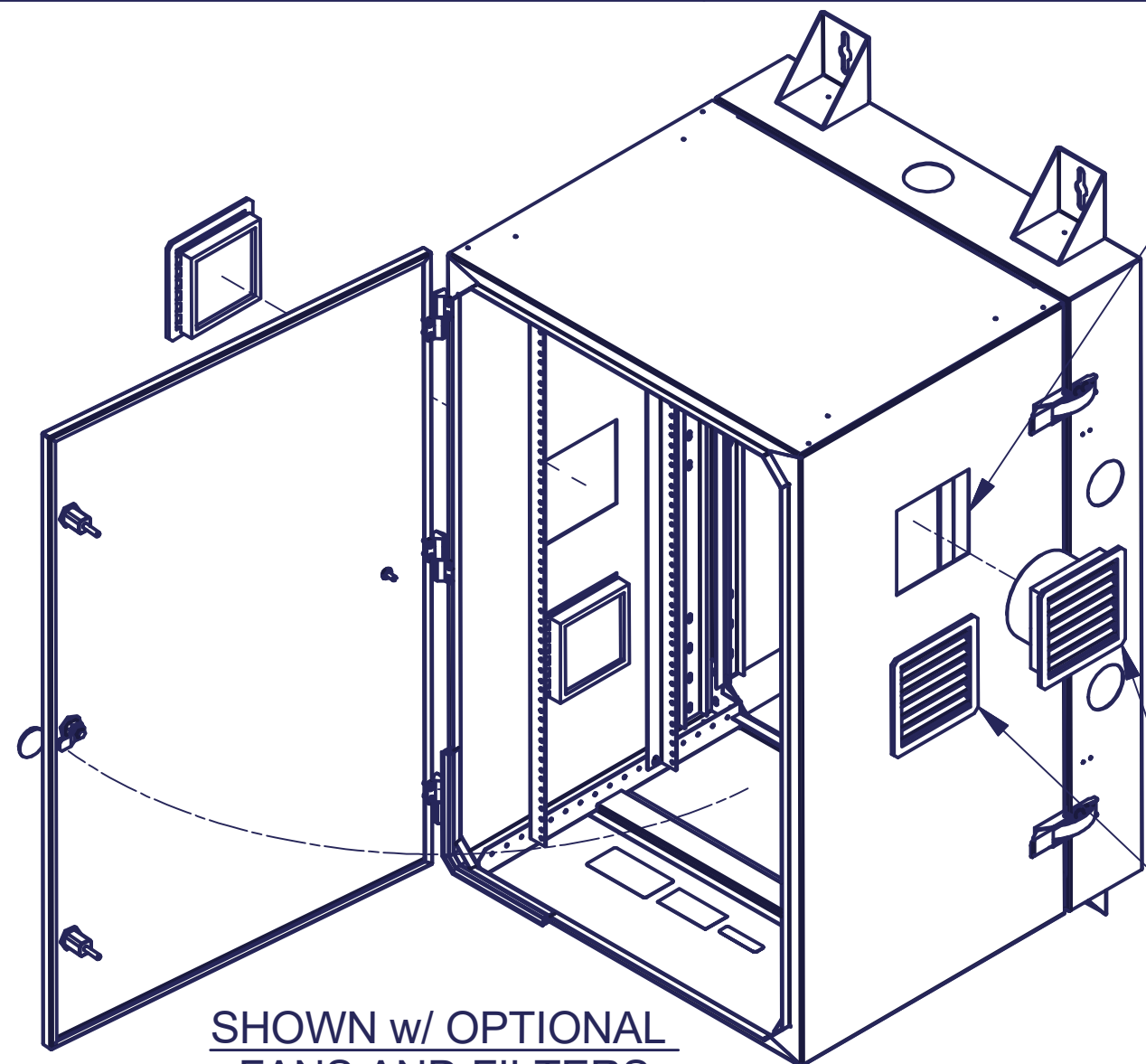


1.75 (1 RMU)
PATTERN REPEATS



12-24 UNC - 2B EQUIPMENT
MTG HOLES IN 12 GA RAILS.
19" EIA 310-E COMPLIANT

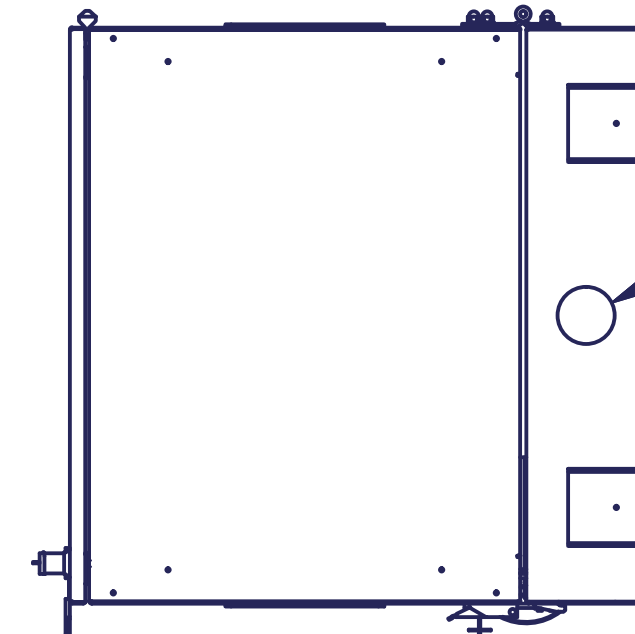
DETAIL B



SHOWN w/ OPTIONAL
FANS AND FILTERS
PART NO. FFKN12-A4

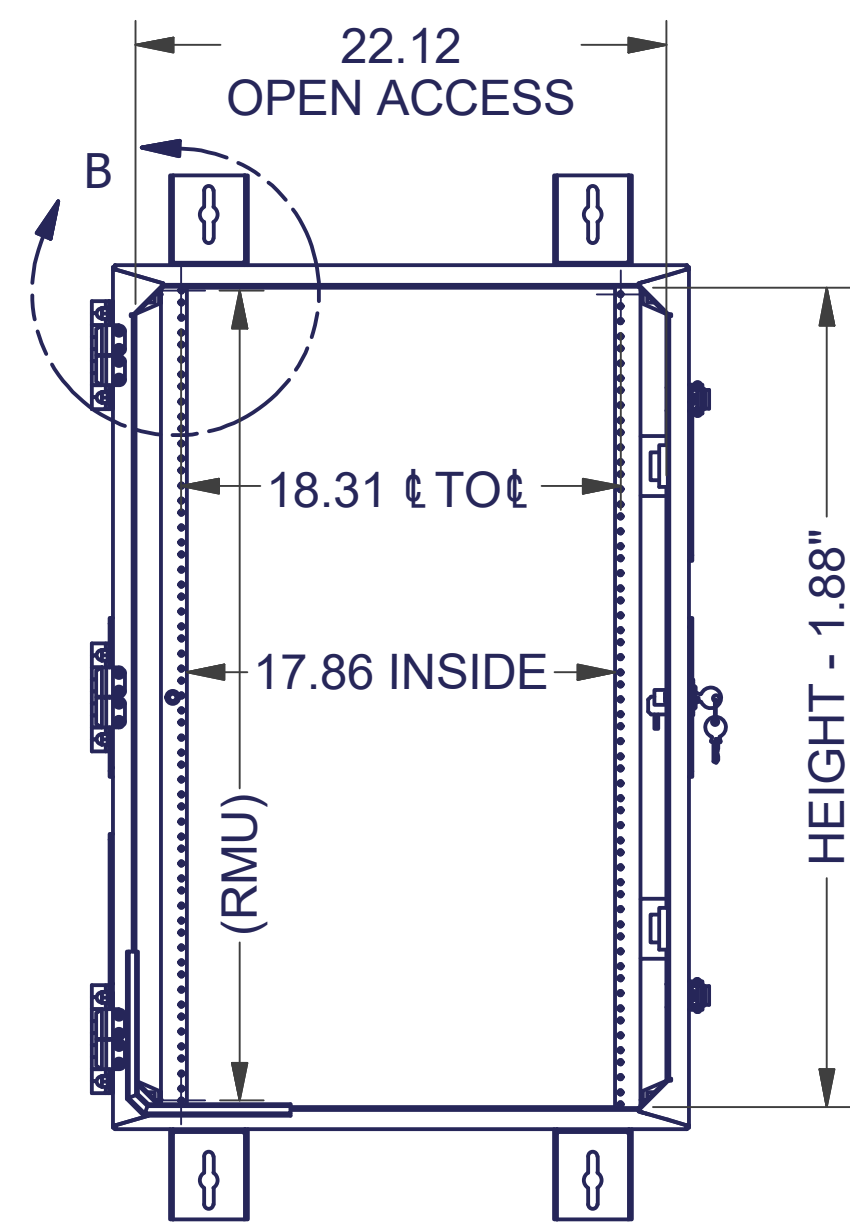
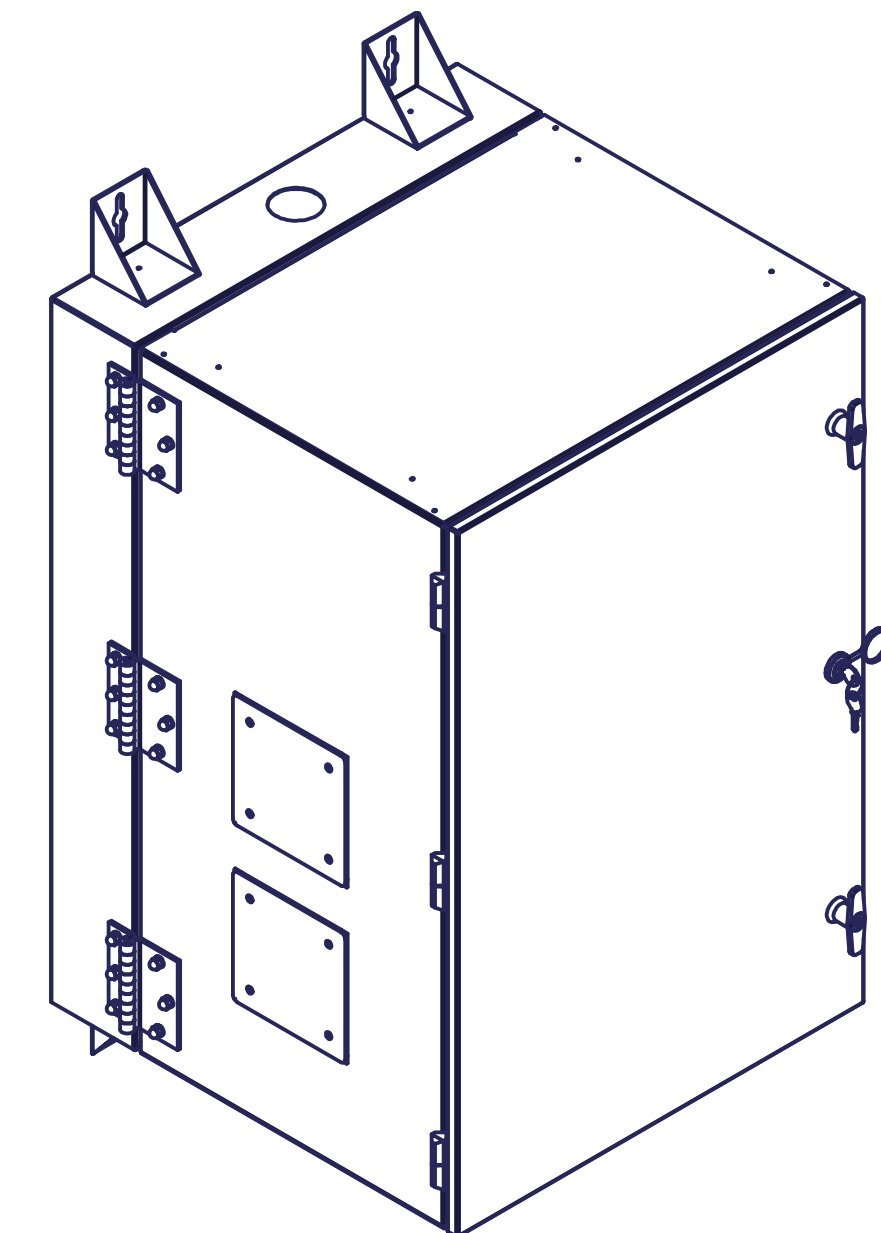
NUMBER OF GLAND PLATES
FOR OPTIONAL FAN/FILTER
INSTALLATION VARY BASED
ON HEIGHT OF WALL MOUNT;
SEE TABLE BELOW

OPTIONAL INTAKE
FAN SHOWN

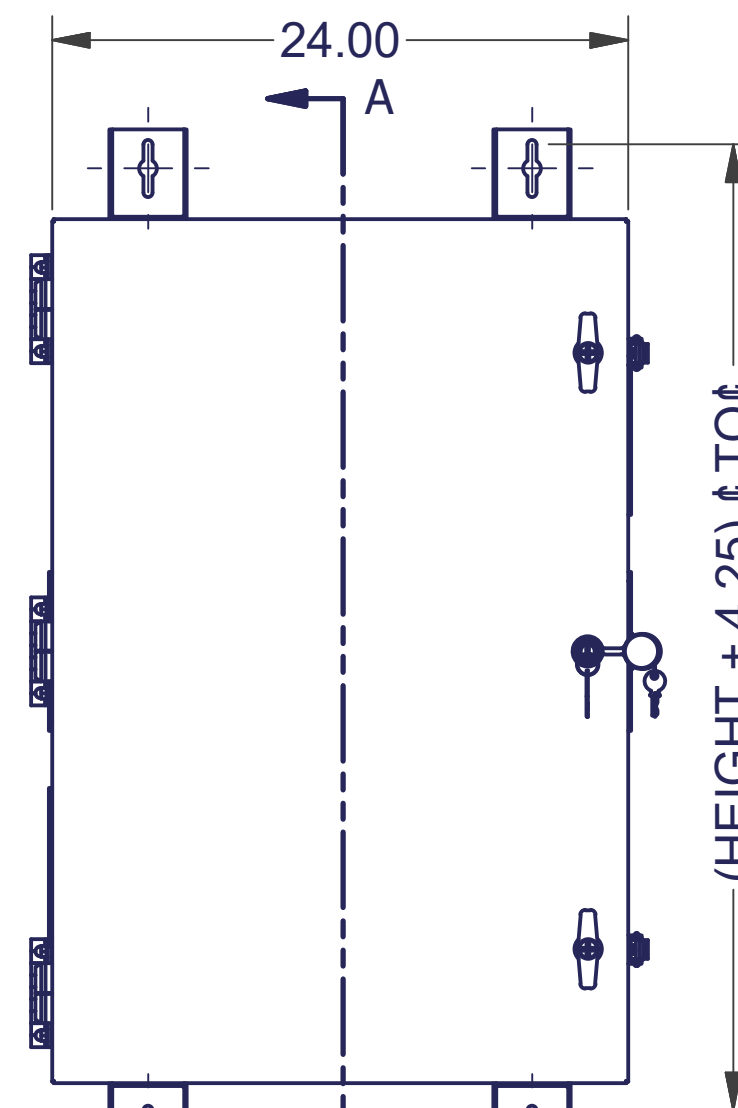


TOP VIEW

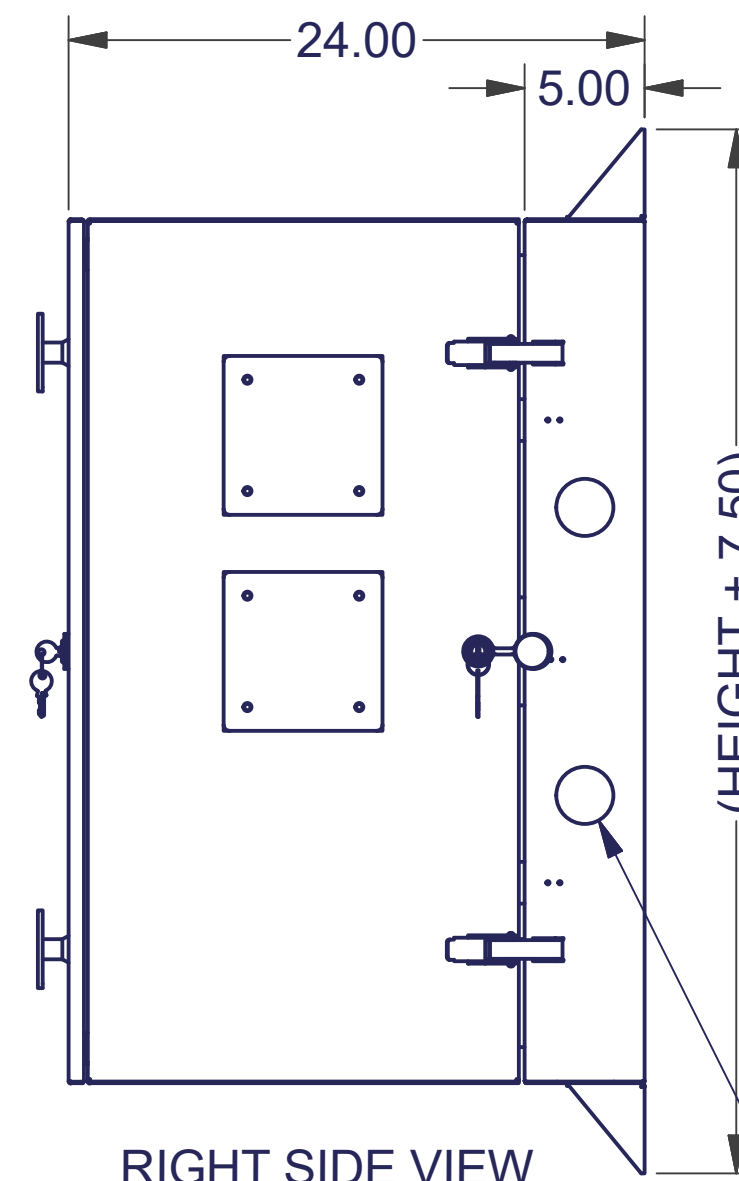
REAR TOP CABLE ACCESS
FOR 2" NOMINAL CONDUIT
(Ø2.469 ACTUAL HOLE SIZE)



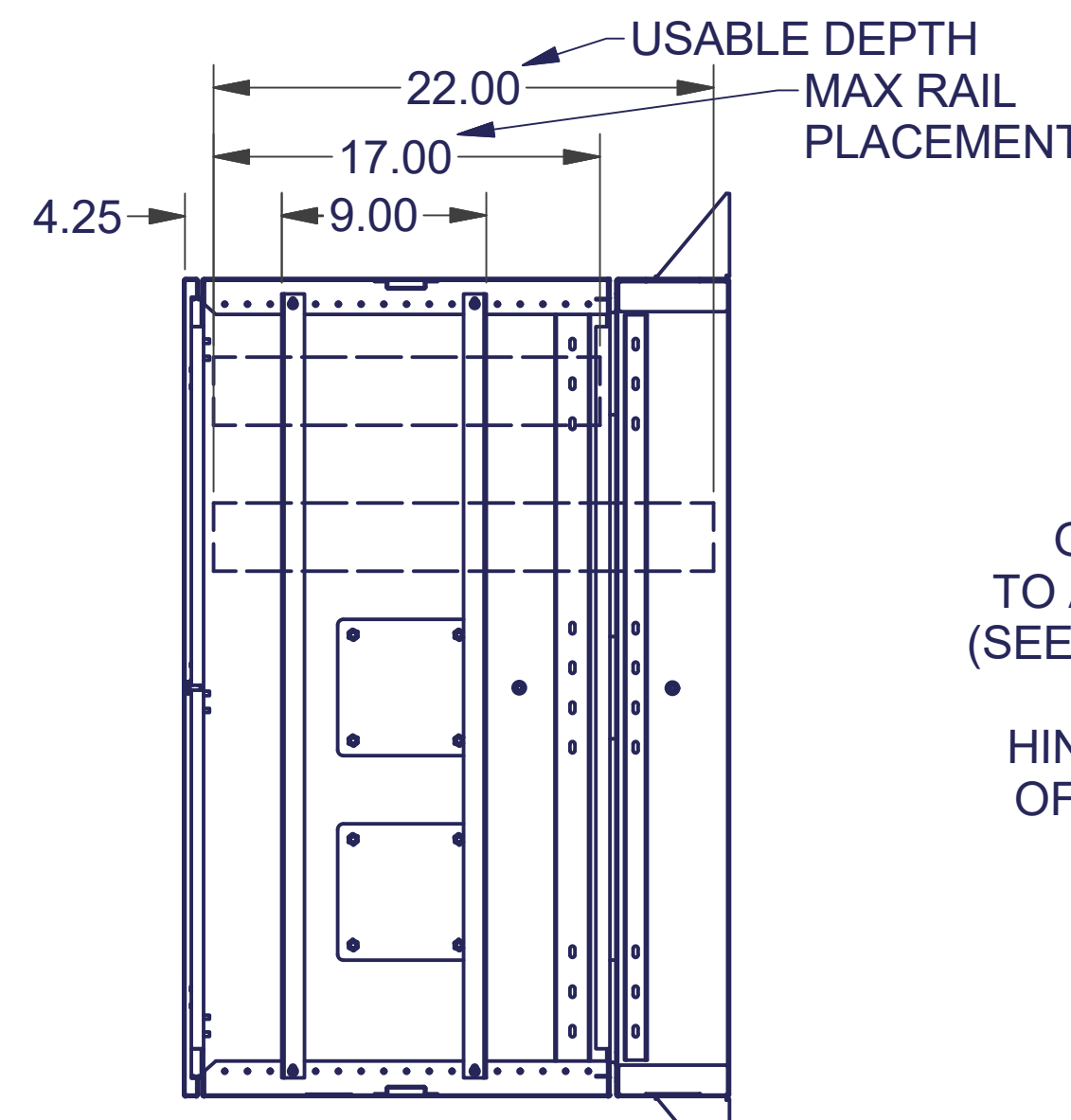
FRONT VIEW
w/ DOOR REMOVED



FRONT VIEW



RIGHT SIDE VIEW



SECTION A-A
(RIGHT SIDE VIEW)

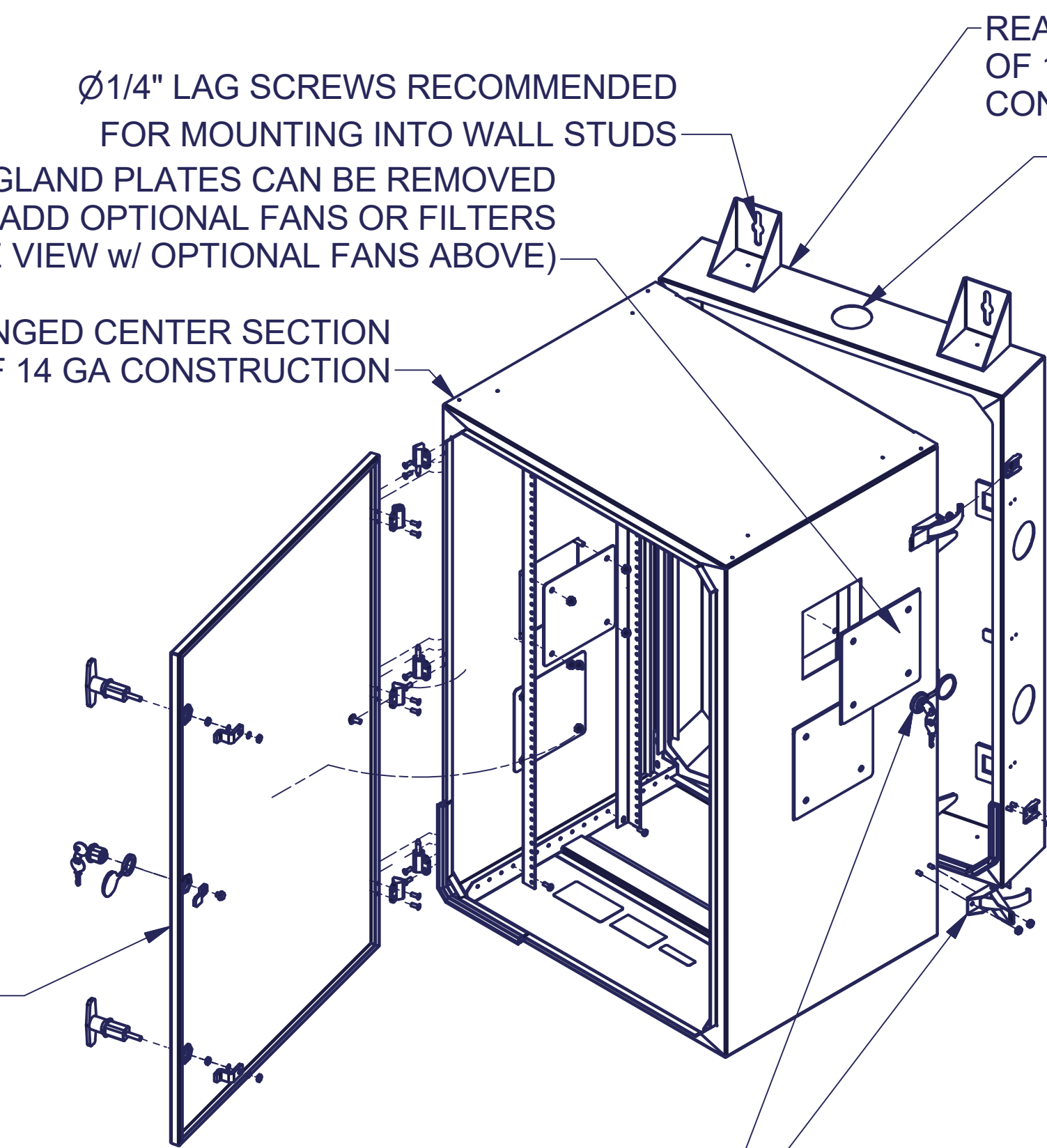
USABLE DEPTH
MAX RAIL
PLACEMENT

Ø1/4" LAG SCREWS RECOMMENDED
FOR MOUNTING INTO WALL STUDS
GLAND PLATES CAN BE REMOVED
TO ADD OPTIONAL FANS OR FILTERS
(SEE VIEW w/ OPTIONAL FANS ABOVE)

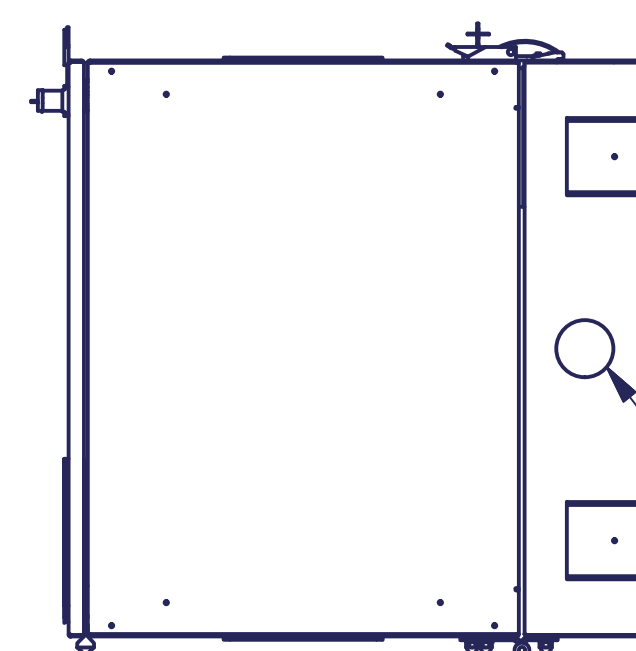
HINGED CENTER SECTION
OF 14 GA CONSTRUCTION

REAR SECTION
OF 14 GA CRS
CONSTRUCTION

REAR CABLE
ACCESS FOR
2" NOMINAL
CONDUIT,
(Ø2.469 ACTUAL)



CENTER SECTION SECURED BY
OVER-CENTER LATCHES AND A
KEY-LOCKING LATCH w/ DUST COVER



BOTTOM VIEW

RIGHT SIDE CABLE ACCESS
FOR 2" NOMINAL CONDUIT
(Ø2.469 ACTUAL)

SOLID HINGED 16 GA FRONT DOOR
w/ (2) DRAW LATCHES PLUS A KEY
LOCKING LATCH w/ DUST COVER

REAR BOTTOM CABLE ACCESS
FOR 2" NOMINAL CONDUIT
(Ø2.469 ACTUAL HOLE SIZE)

NOTE FOR REVERSE SWING OF WALLMOUNT

-IDENTICAL FEATURES ON FRONT AND REAR,
TOP AND BOTTOM OF WALLMOUNT TO HAVE
REVERSIBLE MOUNTING FOR LEFT-HAND OR
RIGHT-HAND OPENING.

SPECIFICATIONS: NEMA-12K WALL MOUNT

RATING: INDEPENDENTLY TESTED & CERTIFIED, NEMA-250-1997 TYPE 12.
UL508A Listed.

RACK SPACES: 19" EIA 310-E COMPLIANT -SEE CHART FOR RMU

COLOR: DURABLE BLACK TEXTURED POWDER COAT

CONSTRUCTION: 2 PAIR OF #12-24 THREADED MOUNTING RAILS,#12GA
#14GA CENTER BODY, #16GA FRONT DOOR
ACCEPTS 2" CONDUIT SIZES FOR CABLE ACCESS
FRONT DOOR & REAR SECTION LOCK INDEPENDENTLY.

USABLE DEPTH: 22.0"

Table

PART NUMBER	HEIGHT	RMU	WEIGHT CAP	COLOR	COOLING
GL24N12-24-B-AF00	24.0"	12	150 lb	BLACK	OPTIONAL
GL24N12-24-B-AFFF	24.0"	12	147 lb	BLACK	1 FAN/FILTER KIT INCLUDED
GL36N12-24-B-AF00	36.0"	19	250 lb	BLACK	OPTIONAL
GL36N12-24-B-AFFF	36.0"	19	247 lb	BLACK	1 FAN/FILTER KIT INCLUDED; 1 ADD'L UNIT CAN BE INSTALLED
GL48N12-24-B-AF00	48.0"	26	300 lb	BLACK	OPTIONAL
GL48N12-24-B-AFFF	48.0"	26	295 lb	BLACK	1 FAN/FILTER KIT INCLUDED; 2 ADD'L UNITS CAN BE INSTALLED

INTERPRET DRAWING PER ASME Y14.5M-1994
DIMENSIONAL LIMITS APPLY
AFTER APPLICATION OF FINISH
DRAWING NOT TO SCALE
TOLERANCE UNLESS OTHERWISE NOTED:
ANGULAR +/- .1"
.XXXX +/- .010
.XXX +/- .015
.XX +/- .030
.X FOR REF. ONLY

EST. WEIGHT:
N/A
THIRD ANGLE
PROJECTION

UNLESS OTHERWISE SPECIFIED
ALL DIMENSIONS ARE IN INCHES

NOTICE:

Use of this document is subject to a confidentiality and nondisclosure agreement with Great Lakes Data Racks and Cabinets and may not be reproduced, disclosed or utilized in whole or in part without prior written authorization.

PART NUMBER: GLXXN12-24-B-XXXX	TITLE: N12K SERIES ("AF" FAN VERSION)
MATERIAL TYPE:	GREAT LAKES DATA RACKS AND CABINETS P.O. BOX 551 EDINBORO, PA 16412 PHONE (814) 734-7303 FAX (814) 734-3907 E-MAIL glcc@greatcabinets.com
MATERIAL GAUGE:	
FINISH:	
DRAWN DATE FED 6/10/2009	DWG NO: N12
CHECKED & APP. DATE	REV 12
	SHEET: 1 OF 1