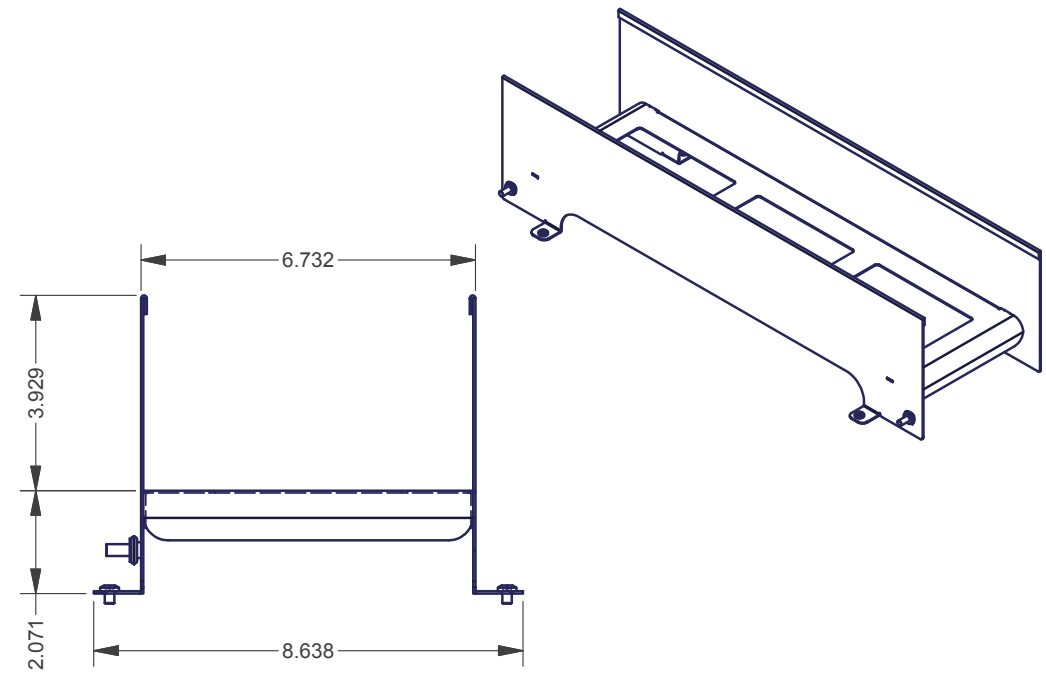
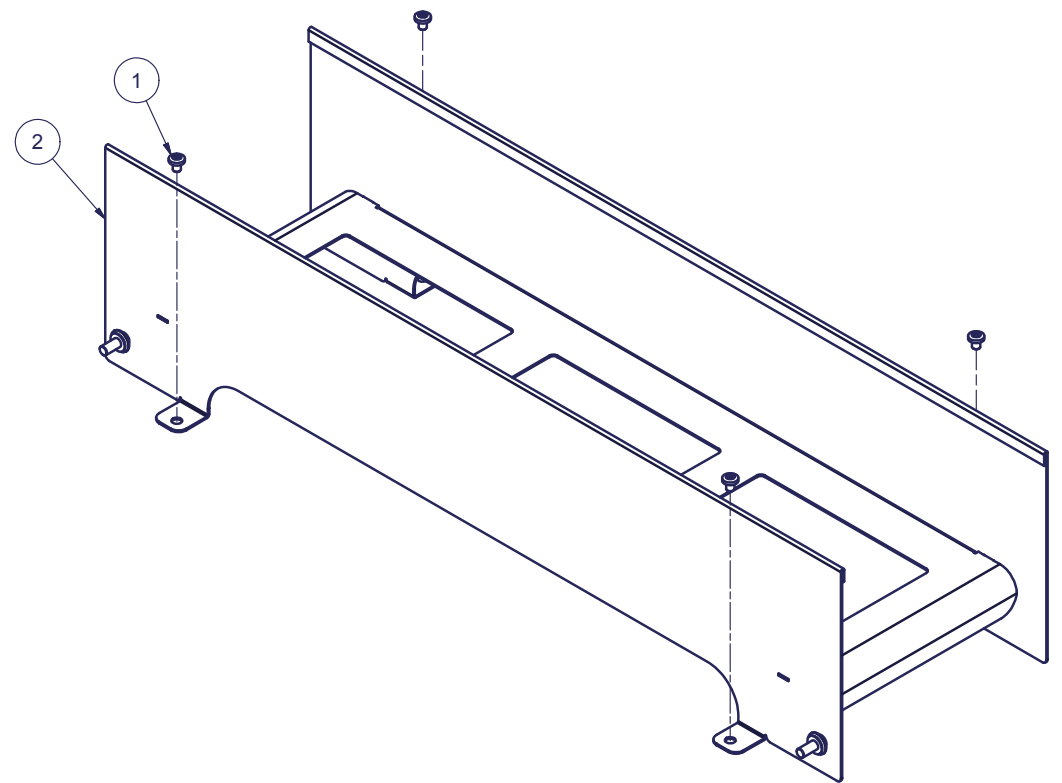
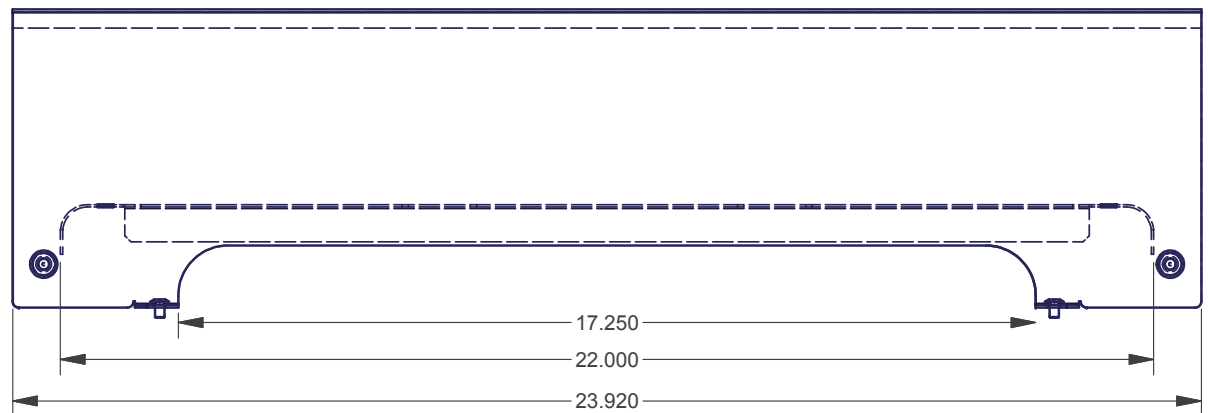
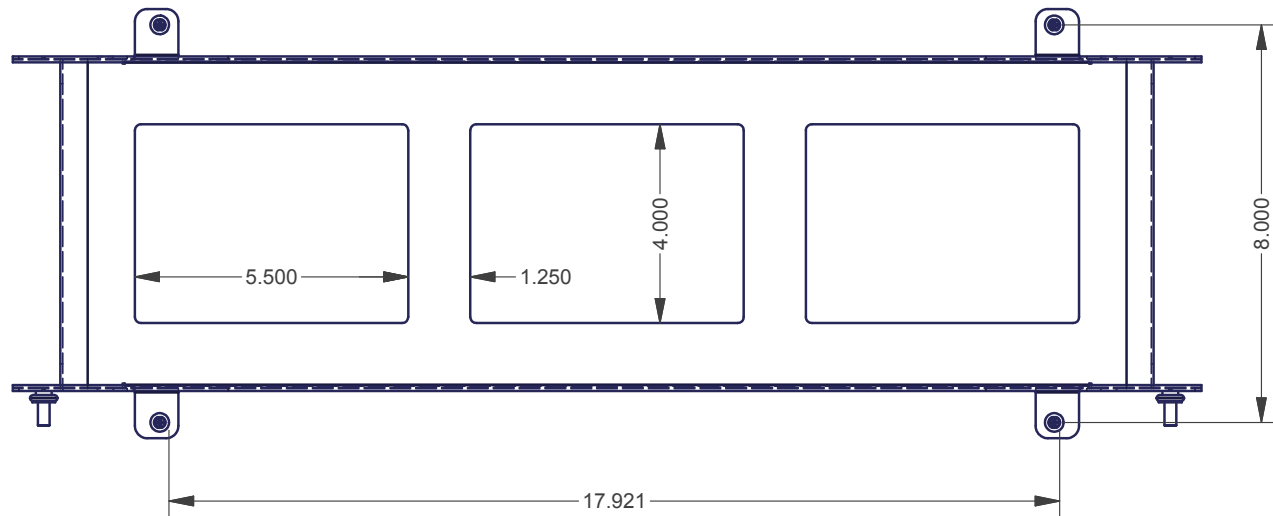


REVISION HISTORY			
REV	DESCRIPTIO	DATE	APPROVED
0	ECO-02213	3/14/2008	WSS
1	ECO-02350	8/12/2008	FED
2	ECO-03321	8/15/11	CD

Bill of Material					DESCRIPTION	FILE NAME	REVISION
ITEM	PART NUMBER	STOCK NU	QTY				
1	H01-073	H01-073	4		SCREW, 10-32x1/4 PH PAN TYPE 23 BLACK OXIDE/WAX RoHS (SCR1032X250BLK)	H01-073.ipt	-
2	TCT24X100		1		24"W TOP MOUNTED CABLE TROUGH WELDMENT	I014573.iam	0

NOTES:

1. REMOVED
2. CREATE HARDWARE PACK FOR SCREWS LISTED IN BOM.
3. TAPE HARDWARE PACK TO COMPONENTS AS A SINGLE KIT.



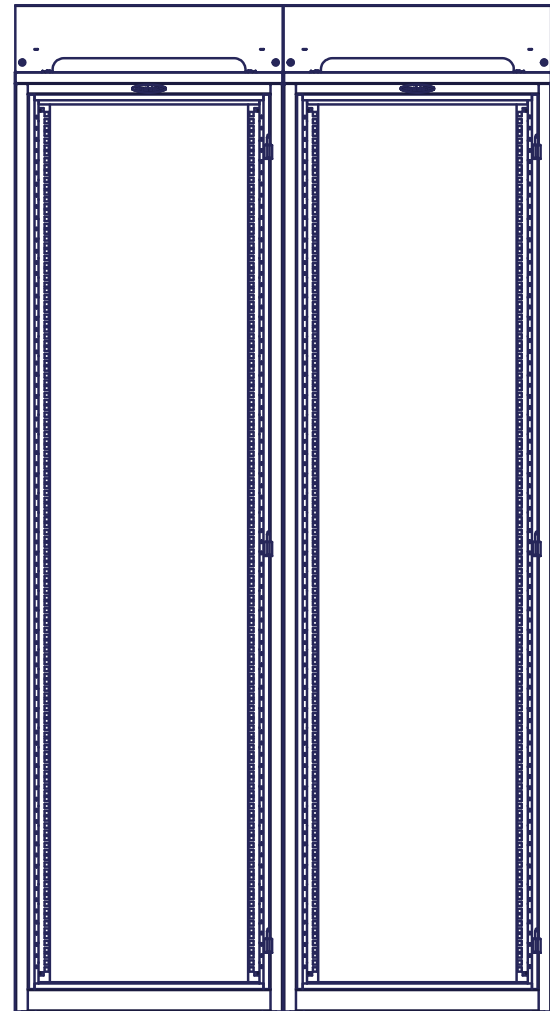
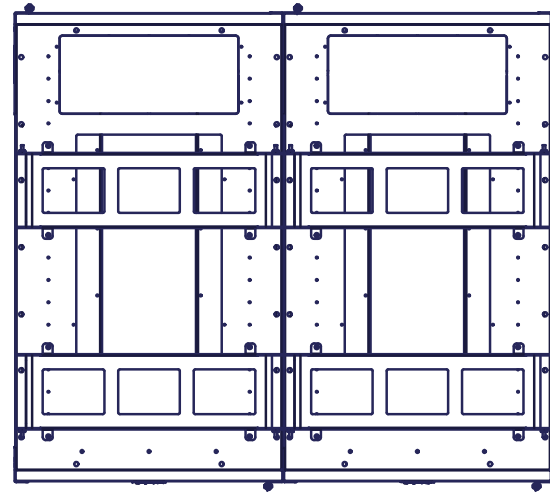
INTERPRET DRAWING PER ASME Y14.5M-1994
 DIMENSIONAL LIMITS APPLY AFTER APPLICATION OF FINISH
 DRAWING NOT TO SCALE
 TOLERANCE UNLESS OTHERWISE NOTED:
 ANGULAR +/- 1'
 .XXXX +/- .010
 .XXX +/- .015
 .XX +/- .030
 .X FOR REF. ONLY
 UNLESS OTHERWISE SPECIFIED ALL DIMENSIONS ARE IN INCHES

NOTICE:
 Use of this document is subject to a confidentiality and nondisclosure agreement with Great Lakes Case & Cabinet Co., Inc. (GLCC) and may not be reproduced, disclosed or utilized in whole or in part without prior written authorization from GLCC.

PART NUMBER: **TCT24**
 QTY PER UNIT: 1
 MATERIAL TYPE: -
 MATERIAL GAUGE: -
 FINISH: -
 DRAWN: CD DATE: 8/12/2008
 CHECKED & APP. DATE: WSS 3/18/04

TITLE: **TOP MOUNTED CABLE TROUGH KIT, FOR 24" WIDE "ES" & "LE" FRAMES.**
 GREAT LAKES CASE & CABINET CO., INC.
 P.O. BOX 551 EDINBORO, PA 16412
 PHONE (814) 734-7303 FAX (814) 734-3907
 E-MAIL glcc@greatcabinets.com
 DWG NO: **I006711** REV: **2** SHEET: 1 OF 2

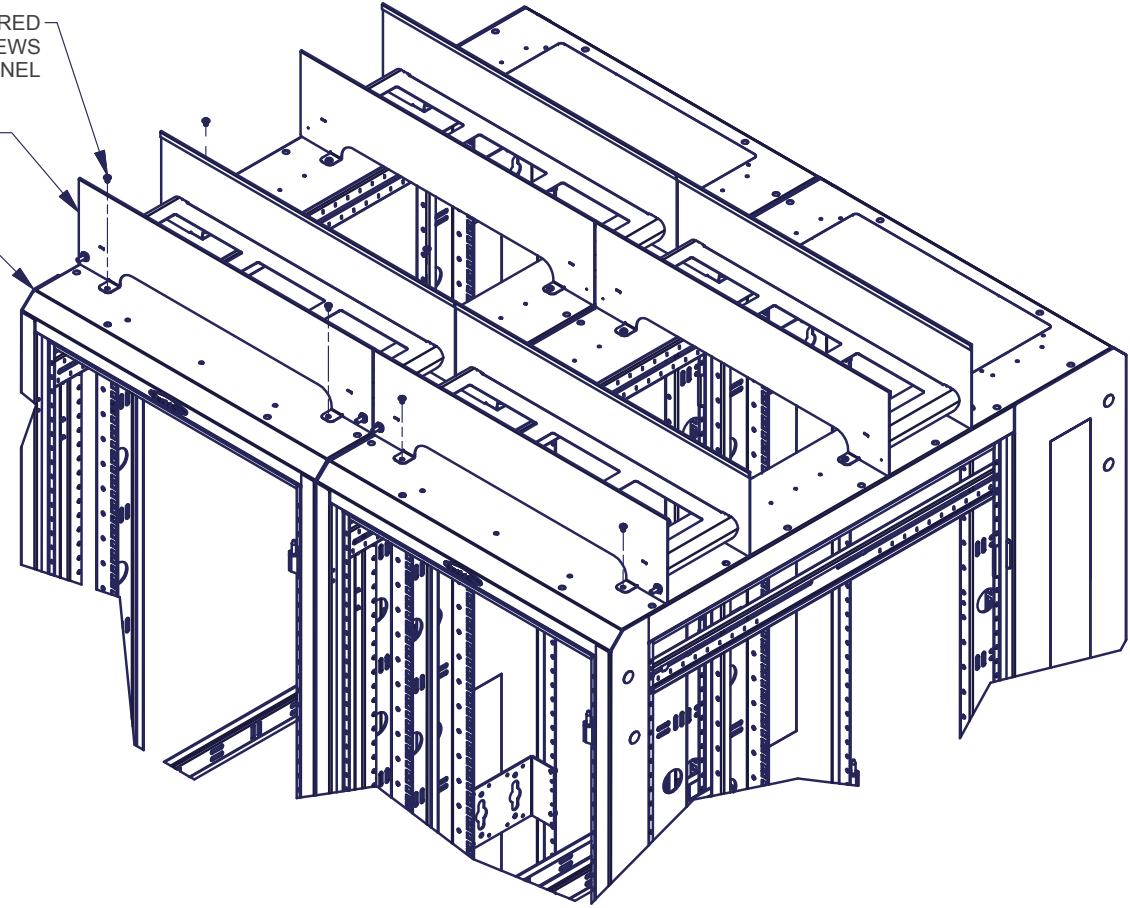




INSTALL WHERE DESIRED
WITH (4) #10-32 x 1/4" LG SCREWS
INTO THRU HOLE IN TOP PANEL

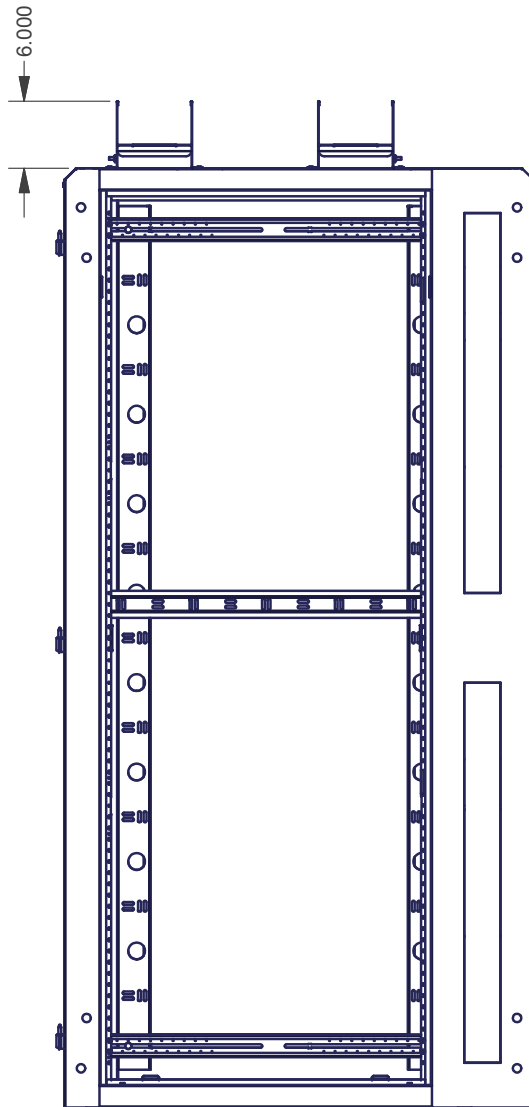
FULLY ASSEMBLED

"ES" SERIES ENCLOSURES
24" WIDE VERSION ONLY



DETAIL A

FOR REFERENCE ONLY



INTERPRET DRAWING PER ASME Y14.5M-1994
DIMENSIONAL LIMITS APPLY AFTER APPLICATION OF FINISH
DRAWING NOT TO SCALE
TOLERANCE UNLESS OTHERWISE NOTED:
ANGULAR +/- 1'
.XXXX +/- .010
.XXX +/- .015
.XX +/- .030
.X FOR REF. ONLY
UNLESS OTHERWISE SPECIFIED ALL DIMENSIONS ARE IN INCHES

NOTICE:

Use of this document is subject to a confidentiality and nondisclosure agreement with Great Lakes Case & Cabinet Co., Inc. (GLCC) and may not be reproduced, disclosed or utilized in whole or in part without prior written authorization from GLCC.

PART NUMBER: TCT24X200
QTY PER UNIT: 1
MATERIAL TYPE: -
MATERIAL GAUGE: -
FINISH: -
DRAWN DATE CD 3/14/2008
CHECKED & APP. DATE WSS 3/14/08

TITLE TOP MOUNTED CABLE TROUGH KIT, FOR 24" WIDE "ES" FRAMES.	
GREAT LAKES CASE & CABINET CO., INC. P.O. BOX 551 EDINBORO, PA 16412 PHONE (814) 734-7303 FAX (814) 734-3907 E-MAIL glcc@greatcabinets.com	
DWG NO: I006711	REV 2
SHEET: 2 OF 2	

