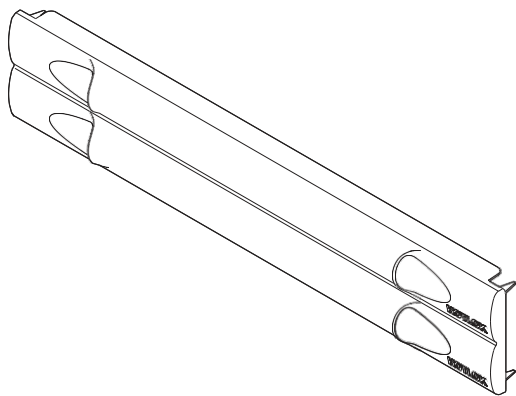
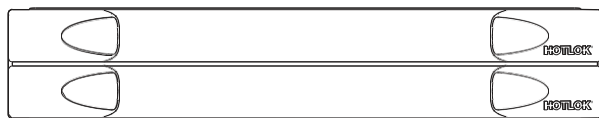
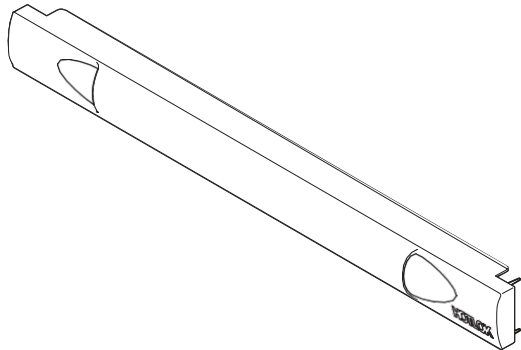


UNIVERSAL FILLER PANELS



Features

- › Use with tapped and 3/8" sq. (M6) mounting rails for tool-less installation
- › Cantilevered sealing vanes eliminate the gap between adjoining blanking panels or with installed equipment to provide the most effective sealing blanking panel on the market, a seal 29% better than the nearest competitor
- › Tool-free, snap-in installation requires no additional parts or components for installation
- › Ergonomic finger grips built in to allow easy-pull removal in standard EIA-310-E openings
- › Interlocking design allows secure stacking (1U panels stack 10 high and 2U panels stack 20 high) for easy storage and convenient carrying, supporting the best practice of keeping particulates and contaminants like cardboard boxes out of the data center
- › Compliant with Directive 2002/95/EC of the European Parliament and the Council on the Restriction of the Use of Certain Hazardous Substances in the Electrical and Electronic Equipment (RoHS)

Part Number	Description	Dimensions	Quantity per Carton	Shipping Weight
GL10114	1U White Blanking Panel	19" x 1.75" (482.5 mm x 44.45 mm)	10	3 lbs.
GL10115	2U White Blanking Panel	19" x 3.5" (482.5 mm x 89 mm)	5	3 lbs.
GL10031	1U Black Blanking Panel	19" x 1.75" (482.5 mm x 44.45 mm)	10	3 lbs.
GL10033	2U Black Blanking Panel	19" x 3.5" (482.5 mm x 89 mm)	5	3 lbs.
GL10177	1U Black Blanking Panel	23" x 1.75" (584.2 mm x 44.45 mm)	10	5 lbs.