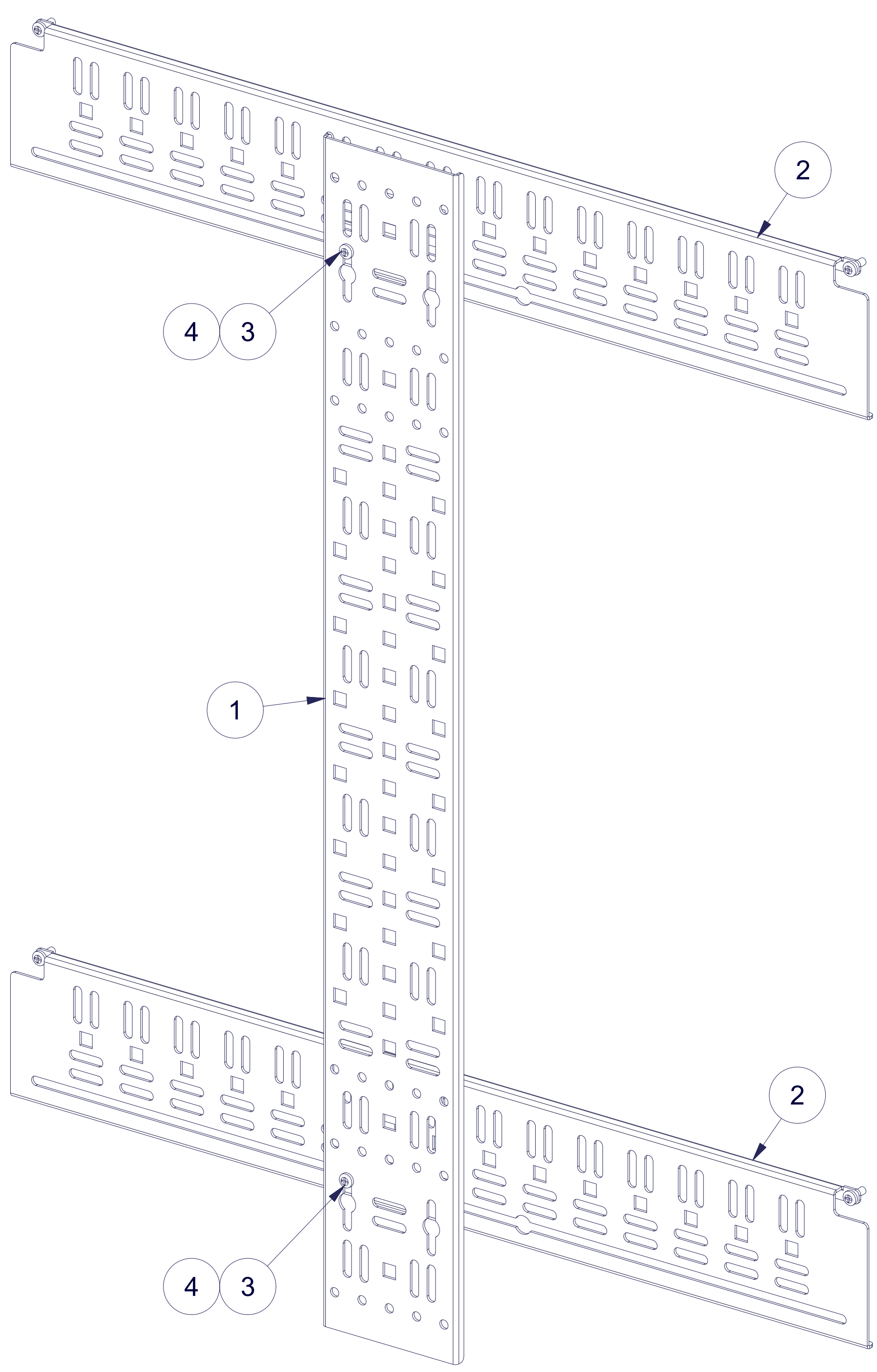
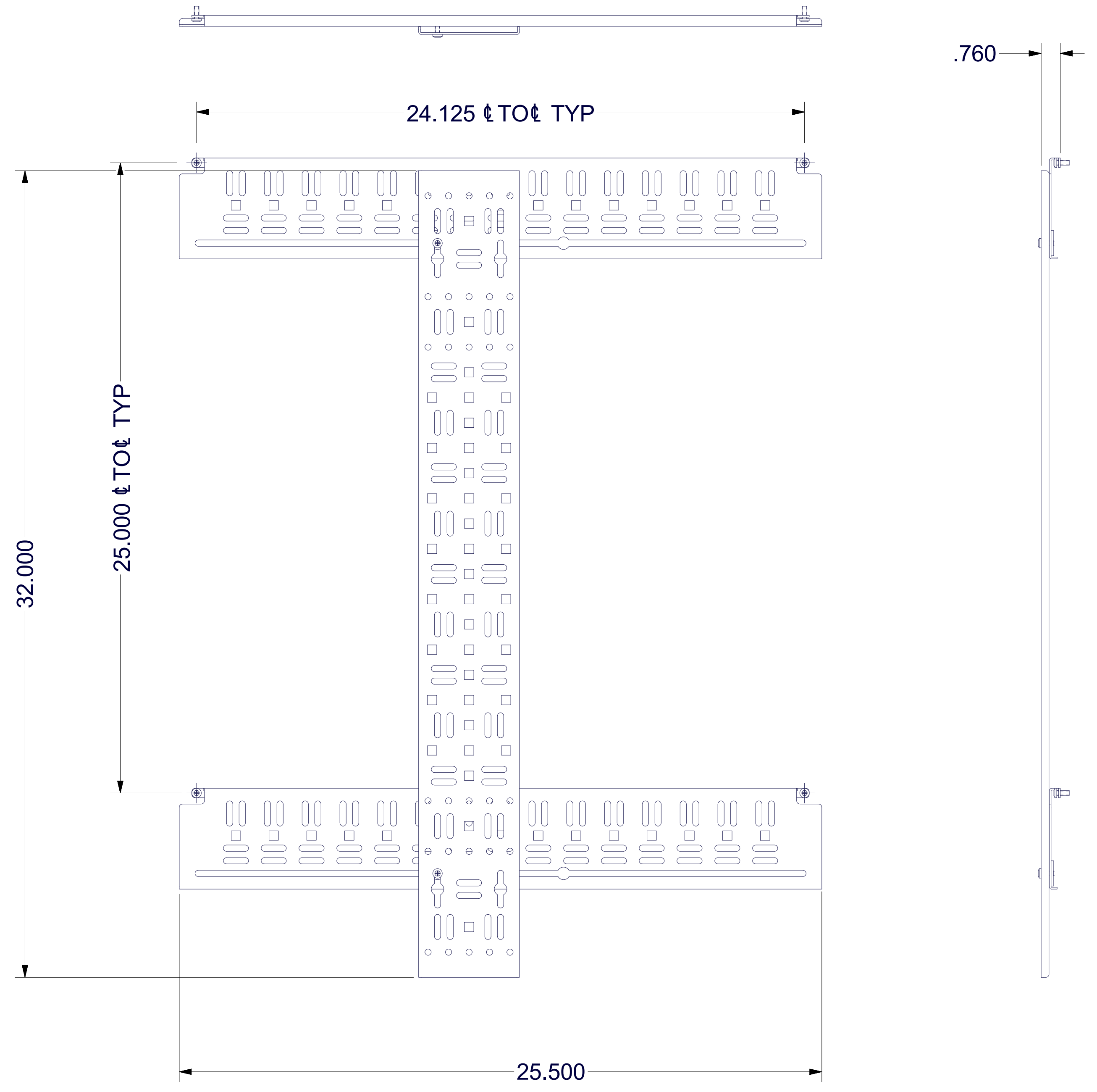


REVISION HISTORY			
REV	DESCRIPTION	DATE	APPROVED
0	ECO-06340	10/6/2014	FED
1	ECO-06510	3/19/2015	VL

Bill of Material						FILE NAME	Rev
ITEM	PART NUMBER	STOCK #	QTY	DESCRIPTION			
1	VCB48x100		1	VERTICAL CABLE BAR FOR 48"H 'E'/'ES' ENCLOSURE		I022482.iam	0
2	HCB32x100		2	HORIZONTAL CABLE BAR FOR 32"D 'E'/'ES' ENCLOSURE		I022480.iam	1
3		H01-078	2	SCREW, 10-32x1/2" PH PAN TYPE 23 RBZ		SCR1032X500BLK.ipt	-
4	LBSNX100		2	SLIDING NUT FOR LACING BARS		I000631.ipt	2
5	CM01		6	CABLE CINCH STRAP, 12"L x 3/4"W (NOT SHOWN)		CM01	-



ISO VIEW



- SPECIAL NOTE:**
- 1) REFER TO PURCHASE ORDER - SPECIAL REQUIREMENTS MAY APPLY!
  - 2) PACK SEPARATELY & BULK SHIP AS A KIT UNLESS THIS UNIT IS TO BE MOUNTED AS PART OF A NEWLY BUILT ENCLOSURE.

EST. WEIGHT :  
N/A

INTERPRET DRAWING PER ASME Y14.5M-1994  
DIMENSIONAL LIMITS APPLY AFTER APPLICATION OF FINISH  
DRAWING NOT TO SCALE  
TOLERANCE UNLESS OTHERWISE NOTED:  
ANGULAR +/- .1°  
.XXXX +/- .010  
.XXX +/- .015  
.XX +/- .030  
.X FOR REF. ONLY  
UNLESS OTHERWISE SPECIFIED ALL DIMENSIONS ARE IN INCHES

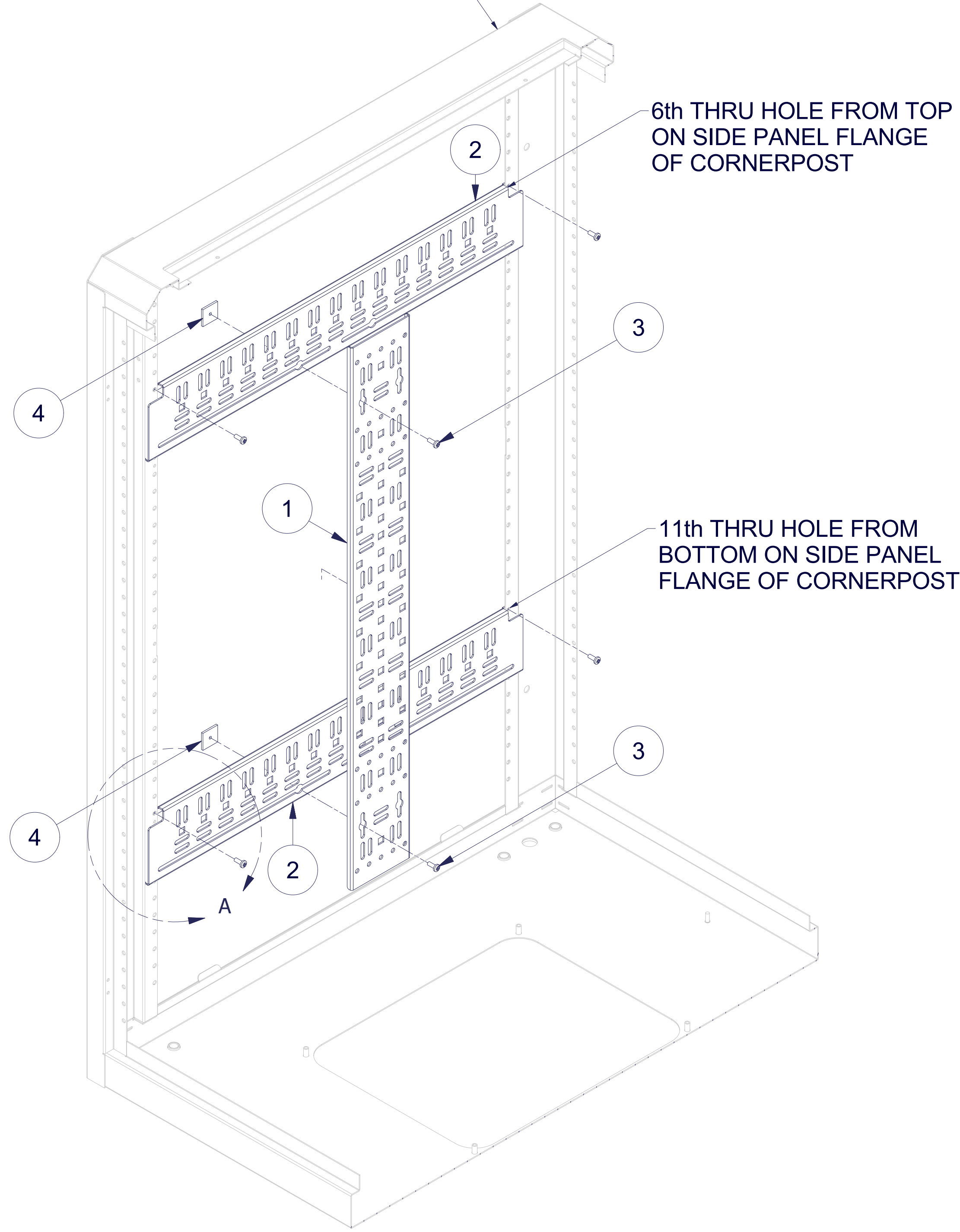
**NOTICE:**  
Use of this document is subject to a confidentiality and nondisclosure agreement with Great Lakes Case & Cabinet Co., Inc. (GLCC) and may not be reproduced, disclosed or utilized in whole or in part without prior written authorization from GLCC.

PART NUMBER: VCB4832x200  
QTY PER UNIT: 1  
MATERIAL TYPE: CRS  
MATERIAL GAUGE:  
FINISH: POWDERCOATED  
DRAWN: 10/6/2014  
FED: 10/6/2014  
CHECKED & APP. DATE: 10/6/2014  
WSS

TITLE: VERTICAL CABLE BAR KIT FOR 48"H x 32"D, 'E'/'ES' ENCLOSURE  
GREAT LAKES CASE & CABINET CO., INC.  
P.O. BOX 551 EDINBORO, PA 16412  
PHONE (814) 734-7303 FAX (814) 734-3907  
E-MAIL glcc@greatcabinets.com  
DWG NO: I022487  
REV: 1  
SHEET: 1 OF 2

8 7 6 5 4 3 2 1

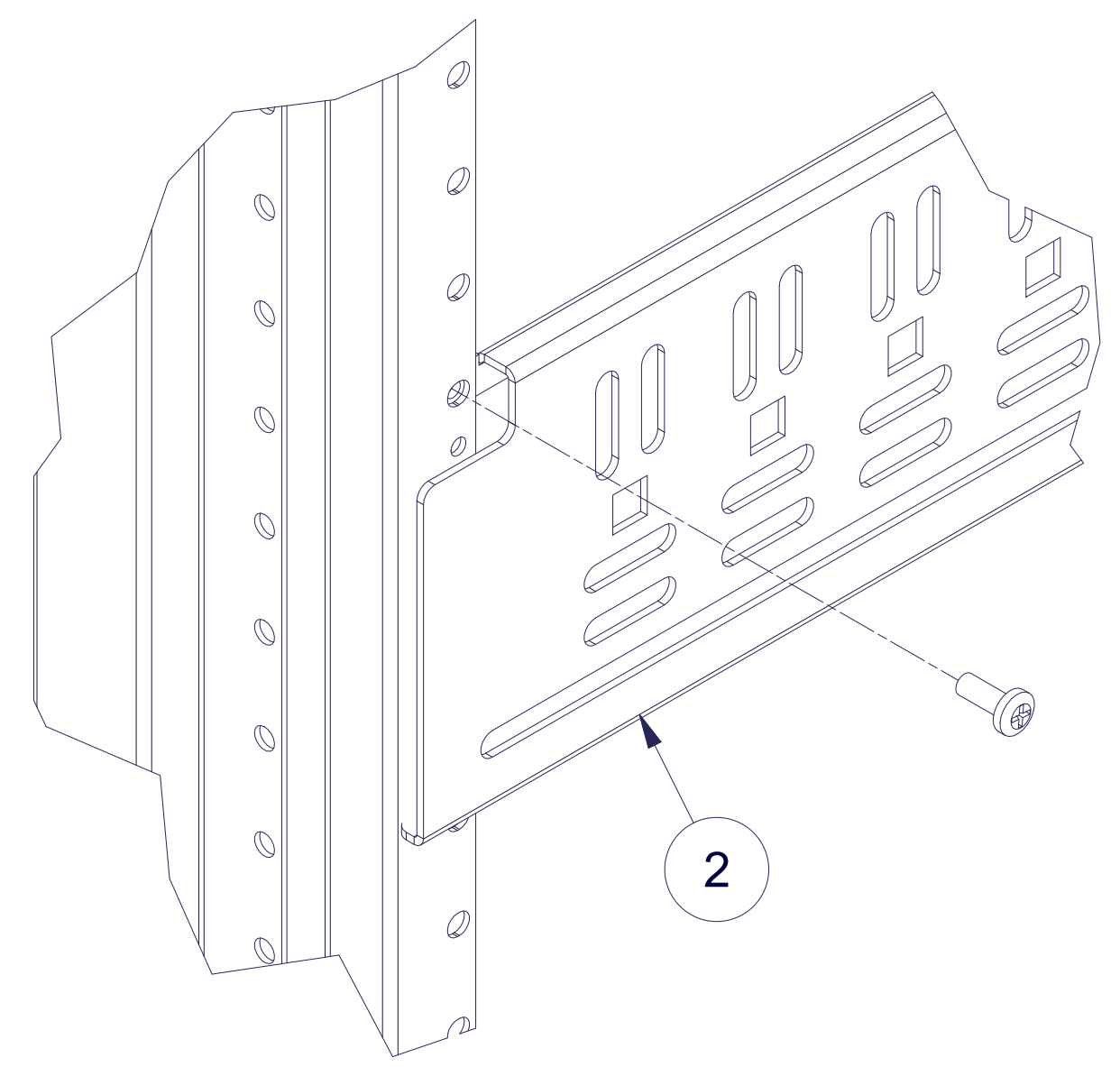
PARTIAL FRAME SHOWN FOR ASSEMBLY PURPOSES ONLY



ISO VIEW

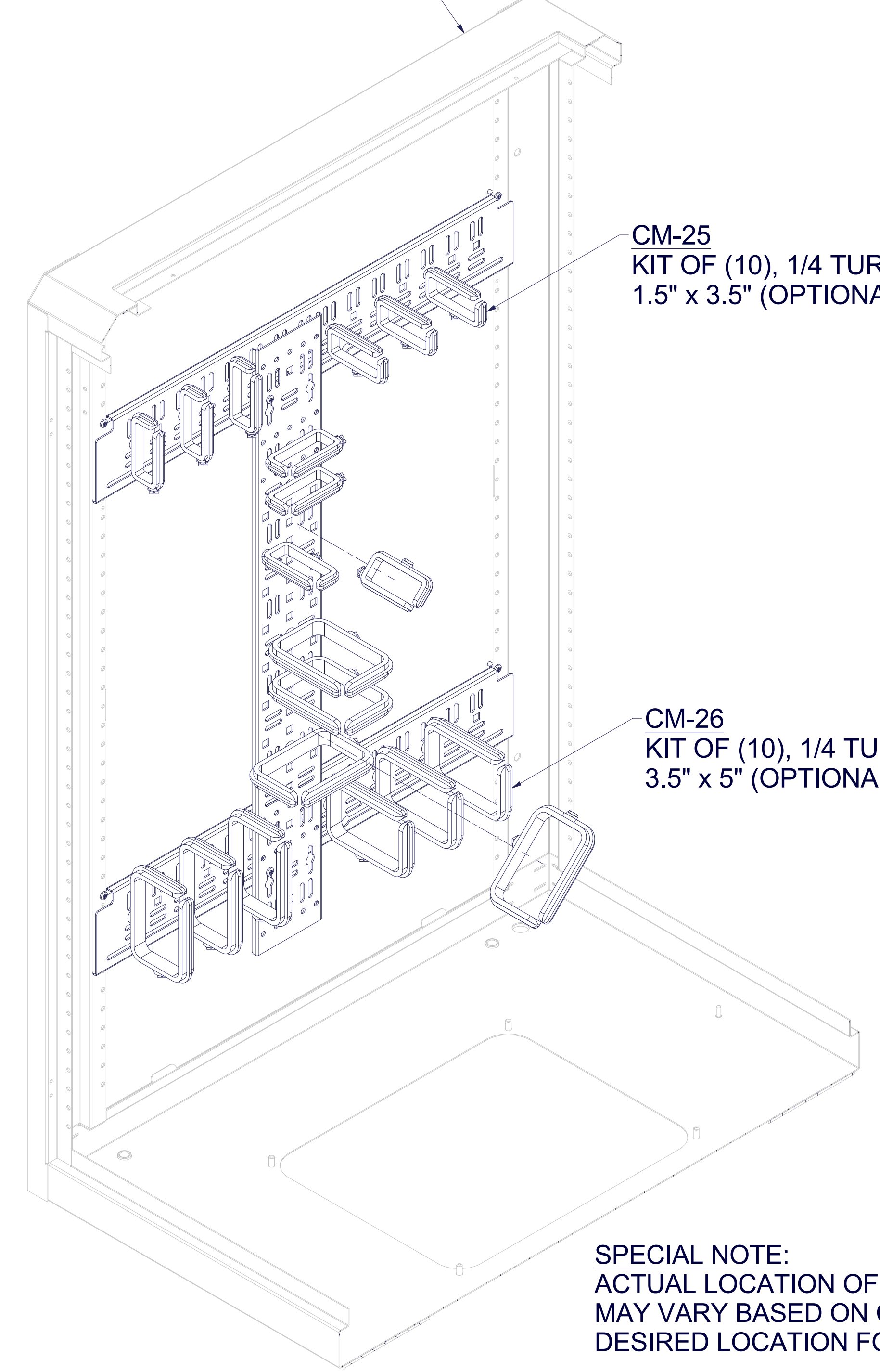
6th THRU HOLE FROM TOP ON SIDE PANEL FLANGE OF CORNERPOST

11th THRU HOLE FROM BOTTOM ON SIDE PANEL FLANGE OF CORNERPOST



DETAIL A

PARTIAL FRAME SHOWN FOR ASSEMBLY PURPOSES ONLY

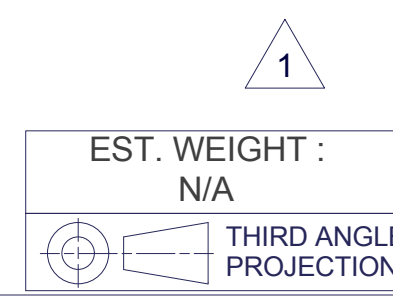


ISO VIEW

CM-25 KIT OF (10), 1/4 TURN "D" RINGS, 1.5" x 3.5" (OPTIONAL)

CM-26 KIT OF (10), 1/4 TURN "D" RINGS, 3.5" x 5" (OPTIONAL)

SPECIAL NOTE:  
ACTUAL LOCATION OF "D" RINGS  
MAY VARY BASED ON CUSTOMER  
DESIRED LOCATION FOR INSTALLATION



EST. WEIGHT :  
N/A

THIRD ANGLE PROJECTION

INTERPRET DRAWING PER ASME Y14.5M-1994  
DIMENSIONAL LIMITS APPLY AFTER APPLICATION OF FINISH  
DRAWING NOT TO SCALE  
TOLERANCE UNLESS OTHERWISE NOTED:  
ANGULAR +/- 1'  
.XXXX +/- .010  
.XXX +/- .015  
.XX +/- .030  
.X FOR REF. ONLY  
UNLESS OTHERWISE SPECIFIED ALL DIMENSIONS ARE IN INCHES

**NOTICE:**  
Use of this document is subject to a confidentiality and nondisclosure agreement with Great Lakes Case & Cabinet Co., Inc. (GLCC) and may not be reproduced, disclosed or utilized in whole or in part without prior written authorization from GLCC.

PART NUMBER: VCB4832x200  
QTY PER UNIT: 1  
MATERIAL TYPE: CRS  
MATERIAL GAUGE:  
FINISH: POWDERCOATED  
DRAWN: DATE: 10/6/2014  
FED: DATE: 10/6/2014  
CHECKED & APP. DATE: 10/6/2014  
WSS

TITLE: VERTICAL CABLE BAR KIT FOR 48"H x 32"D, 'E'/'ES' ENCLOSURE  
GREAT LAKES CASE & CABINET CO., INC.  
P.O. BOX 551 EDINBORO, PA 16412  
PHONE (814) 734-7303 FAX (814) 734-3907  
E-MAIL glcc@greatcabinets.com  
DWG NO: 1022487  
REV: 1  
SHEET: 2 OF 2

8 7 6 5 4 3 2 1