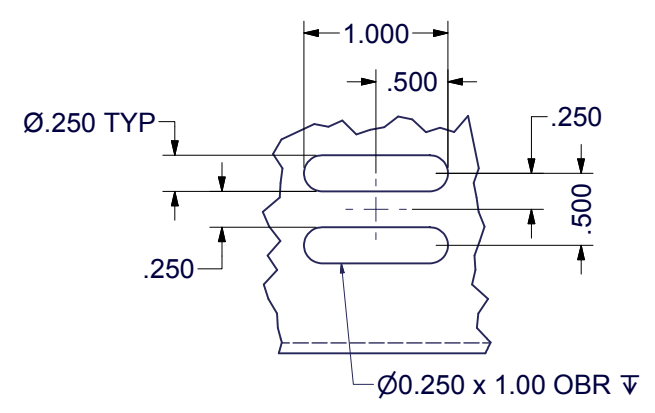
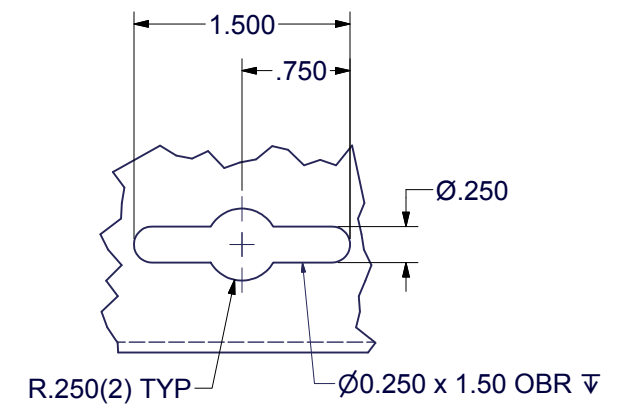


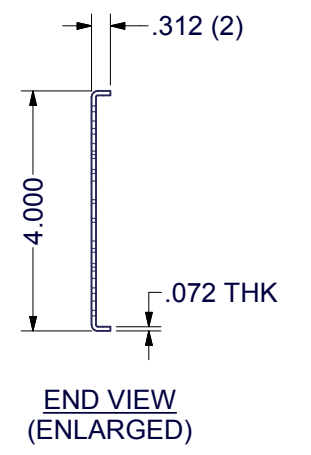
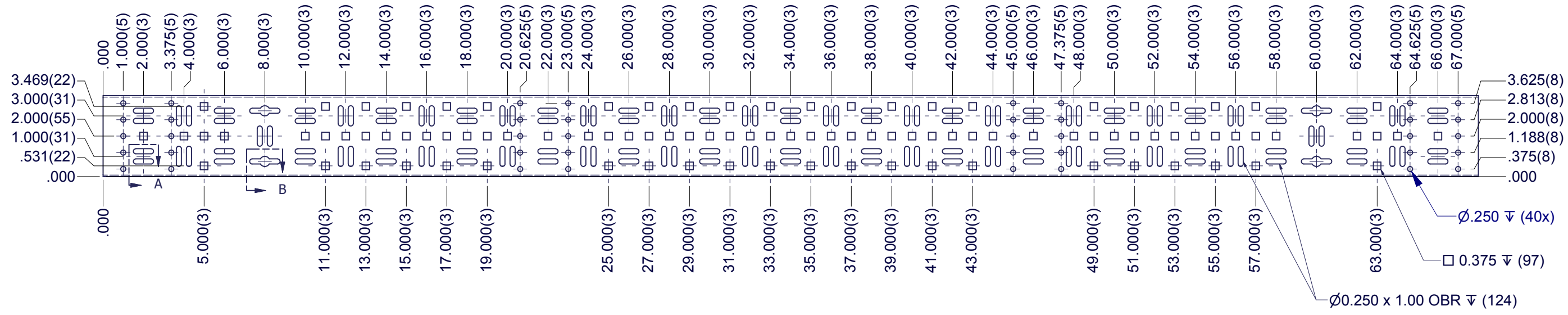
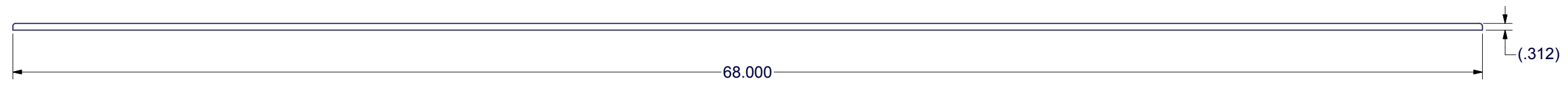
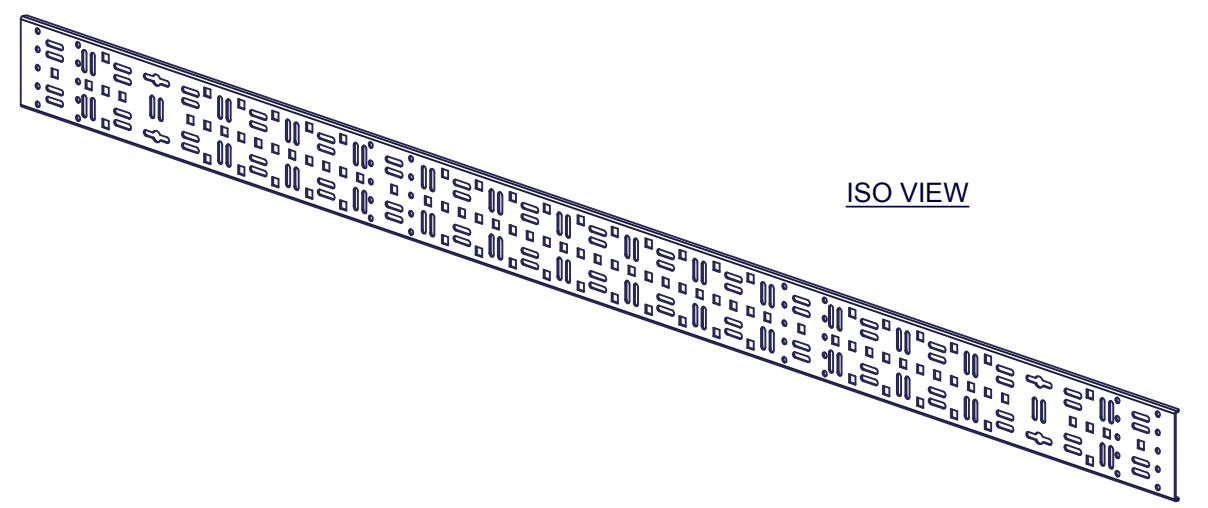
REVISION HISTORY			
REV	DESCRIPTION	DATE	APPROVED
0	ECO-06340	10/1/2014	FED



DETAIL A
TYP - (62) PLC'S



DETAIL B
TYP - (4) PLC'S



- SPECIAL NOTES:**
- 1) DIMENSIONS APPLY BEFORE APPLICATION OF FINISH: ADD .005" TO EACH SURFACE FOR INSPECTION.
 - 2) TYPICAL BEND RADII = R0.030 x 90° INSIDE UNLESS NOTED OTHERWISE.
 - 3) PREPARE ALL THREADS PRIOR TO WELD OR POWDERCOAT PER TD-09-109.
 - 4) FINISH PER TD-09-103 (POWDER COAT), CLASS B, TEXTURE LEVEL 3, ALL SURFACES UNLESS NOTED OTHERWISE.
 - 5) KIT HARDWARE WITH LACING BAR

EST. WEIGHT :
5.18 lbmass

INTERPRET DRAWING PER ASME Y14.5M-1994
DIMENSIONAL LIMITS APPLY
AFTER APPLICATION OF FINISH
DRAWING NOT TO SCALE
TOLERANCE UNLESS OTHERWISE NOTED:
ANGULAR +/- .1°
.XXXX +/- .010
.XXX +/- .015
.XX +/- .030
.X FOR REF. ONLY
UNLESS OTHERWISE SPECIFIED
ALL DIMENSIONS ARE IN INCHES

NOTICE:
Use of this document is subject to a confidentiality and nondisclosure agreement with Great Lakes Case & Cabinet Co., Inc. (GLCC) and may not be reproduced, disclosed or utilized in whole or in part without prior written authorization from GLCC.

PART NUMBER:
VCB84x100
QTY PER UNIT:
1
MATERIAL TYPE:
CRS
MATERIAL GAUGE:
FINISH:
SEE NOTES
DRAWN
FED
CHECKED & APP.
WSS
DATE
10/1/2014
DATE
10/1/2014

TITLE
VERTICAL CABLE BAR FOR 84"H 'E'/ 'ES' ENCLOSURE
GREAT LAKES CASE & CABINET CO., INC.
P.O. BOX 551 EDINBORO, PA 16412
PHONE (814) 734-7303 FAX (814) 734-3907
E-MAIL glcc@greatcabinets.com
DWG NO:
1022485
REV
0
SHEET: 1 OF 1