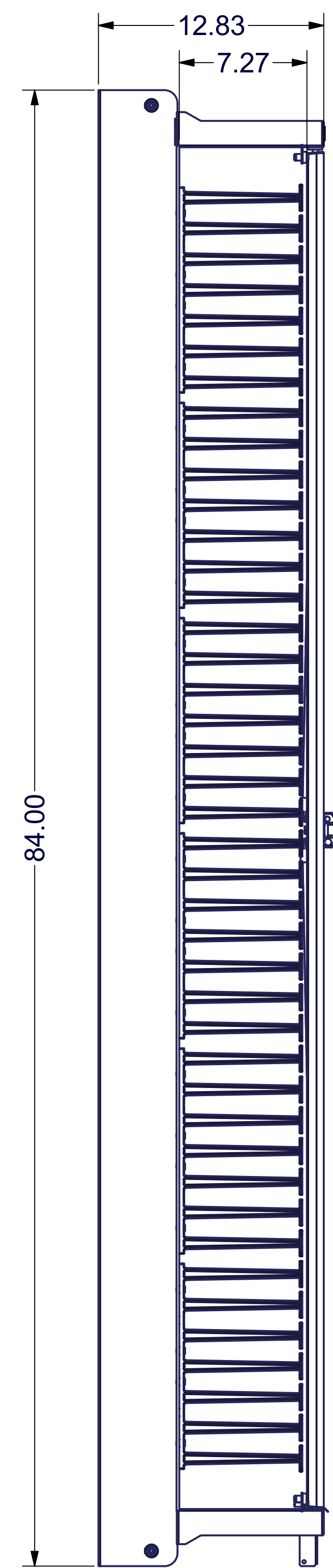
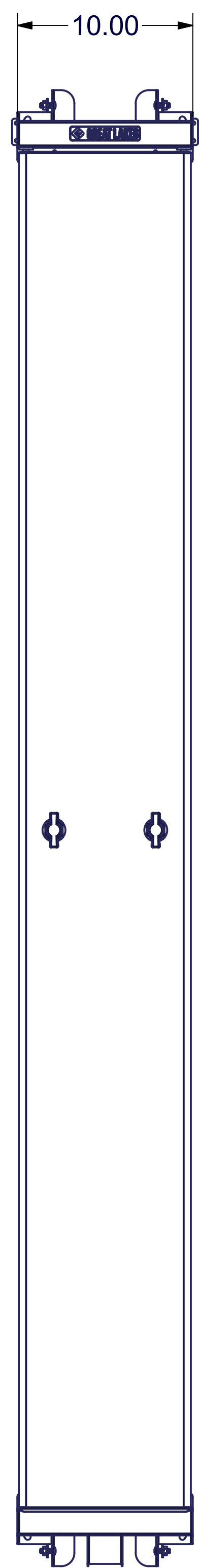


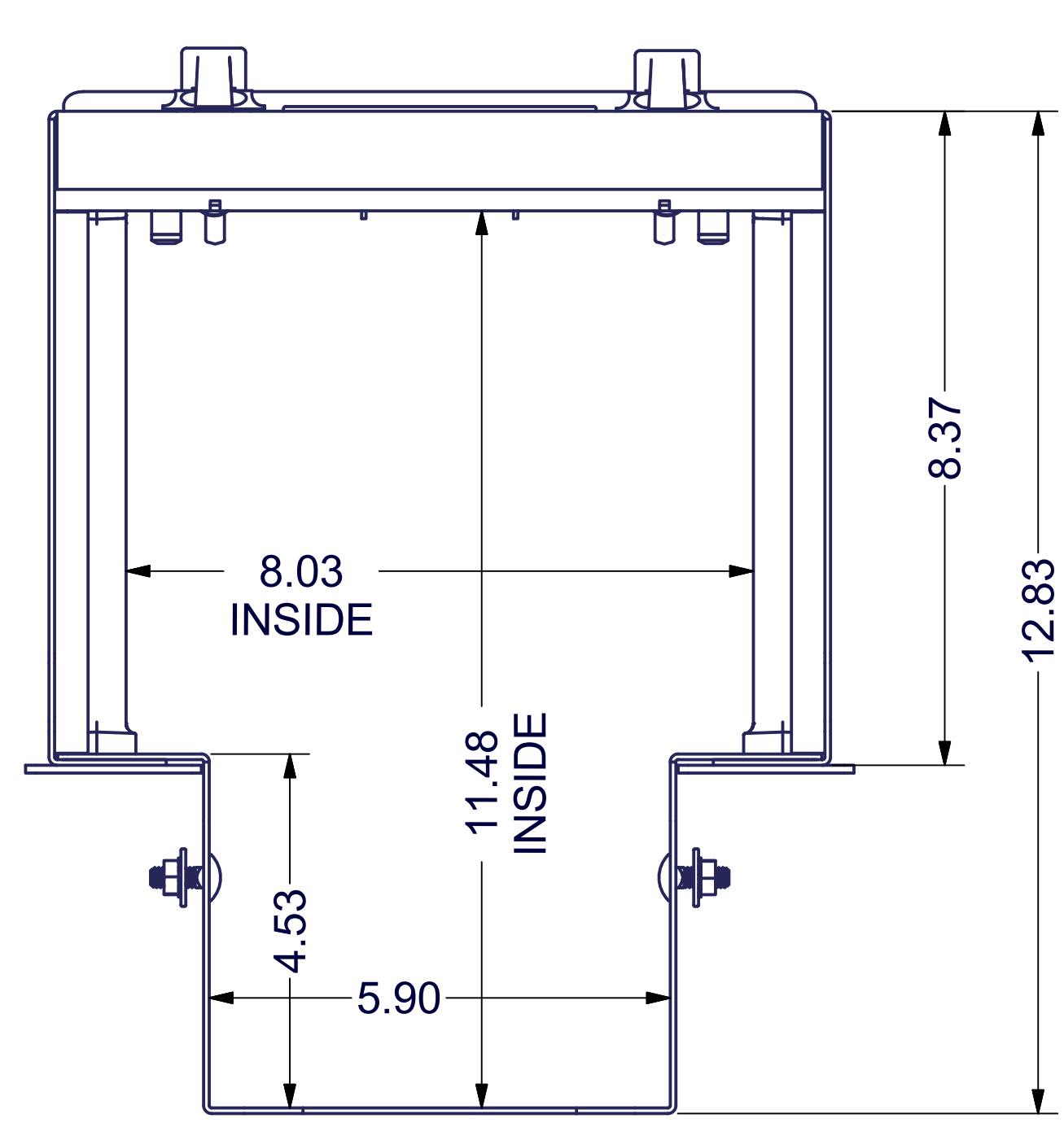
REAR VIEW



SIDE VIEW

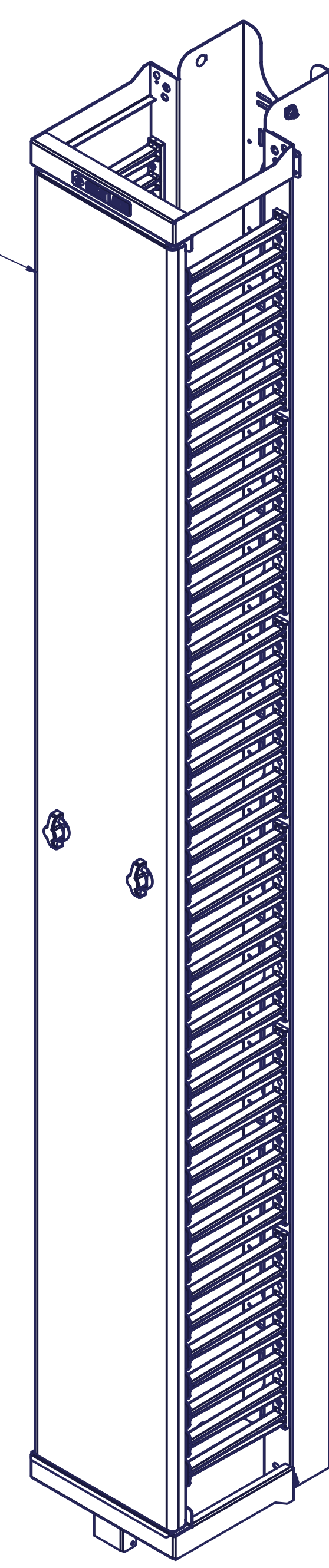


FRONT VIEW

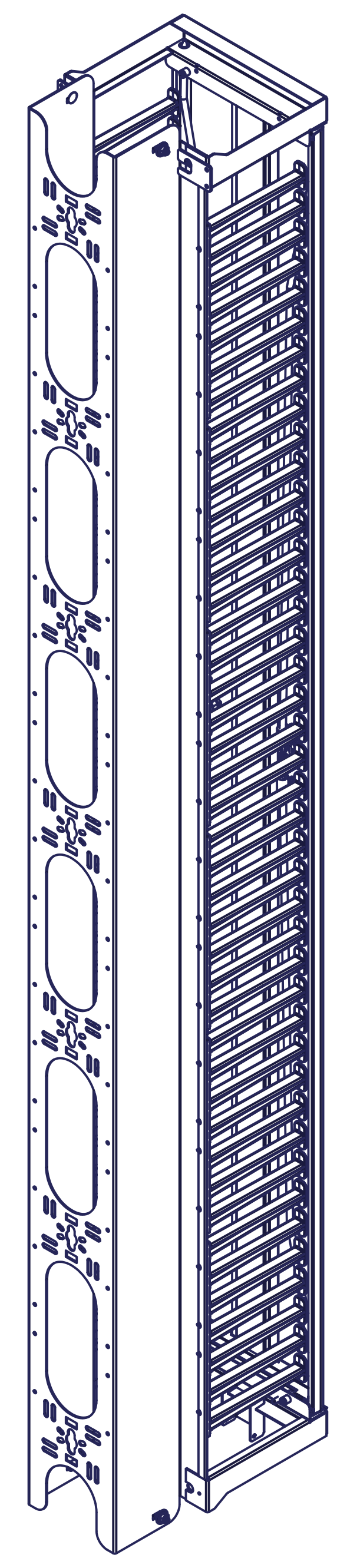


VIEW A-A
TOP VIEW

DUAL HINGED
FRONT DOOR



FRONT ISO



REAR ISO

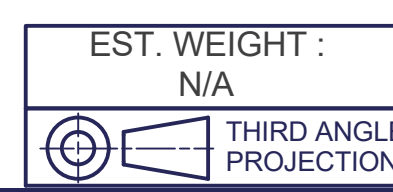
SPECIFICATIONS:

DIMENSIONS: 84.0"H x 10.0"W x 12.8"D

COLOR: DURABLE TEXTURED BLACK OR WHITE POWDER COATING

CONSTRUCTION : #14 GA. C.R.S. BODY, & #20 GA. C.R.S. DOOR

HARDWARE: CABLE MANAGMENT FINGERS FULLY ASSEMBLED



INTERPRET DRAWING PER ASME Y14.5M-1994
DIMENSIONAL LIMITS APPLY AFTER APPLICATION OF FINISH
DRAWING NOT TO SCALE
TOLERANCE UNLESS OTHERWISE NOTED:
ANGULAR +/- .1°
.XXXX +/- .010
.XXX +/- .015
.XX +/- .030
.X FOR REF. ONLY
UNLESS OTHERWISE SPECIFIED ALL DIMENSIONS ARE IN INCHES

NOTICE:
Use of this document is subject to a confidentiality and nondisclosure agreement with Great Lakes Case & Cabinet Co., Inc. (GLCC) and may not be reproduced, disclosed or utilized in whole or in part without prior written authorization from GLCC.

PART NUMBER: VCMX-45U-1012FO-X
MATERIAL TYPE: CRS
MATERIAL GAUGE:
FINISH: POWDERCOAT
DRAWN DATE CAIUSD 3/17/2020
CHECKED & APP. DATE WSS 2/5/20

TITLE VERTICAL CABLE MANAGER 45U x 10"W x 12"D, RECESSED, TOP LEVEL ASSEMBLY	
GREAT LAKES CASE & CABINET CO., INC. P.O. BOX 551 EDINBORO, PA 16412 PHONE (814) 734-7303 FAX (814) 734-3907 E-MAIL glcc@greatcabinets.com	
DWG NO:	REV
SHEET: 1 OF 1	