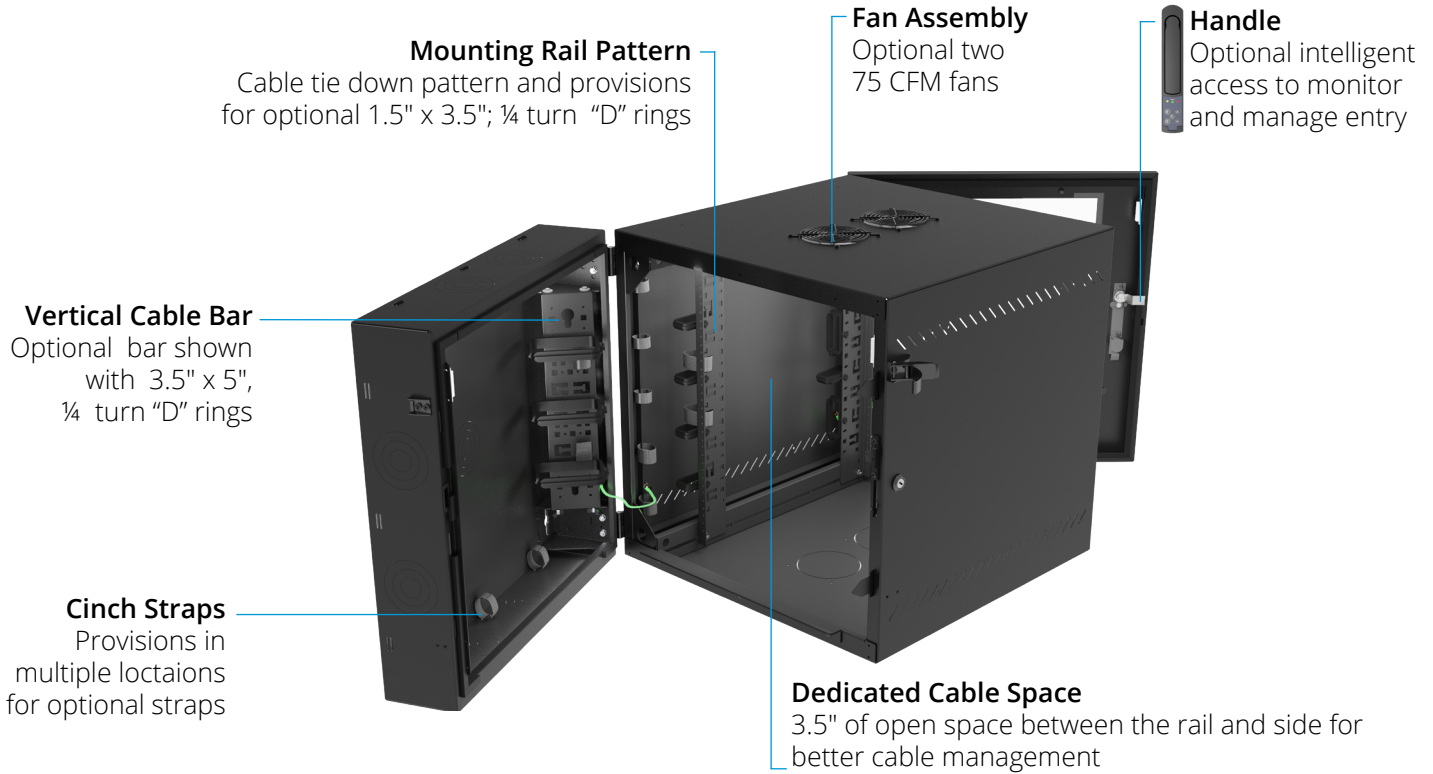


WMCM

WALL MOUNT - UNIQUE CABLE MANAGEMENT



SEAL Security Ready. Add intelligent access to create a SEAL® solution!

Height	Door	Color	Handle	Airflow	Cable Management	Example
GLXXWMCM	X-	X-	XX-	XX-	XX-	Configured WMCM
24	P (Plexi)	B (Black)	SH (Swing Handle)	AF (Fan Included)	CM (Cable Bar Included)	GL24WMCMP-B-SH-AF-CM
36	M (Mesh)	W (White)	SC (SEAL Combo) ¹	00 (None)	00 (None)	
48	S (Solid)		SE (SEAL Electronic) ²			

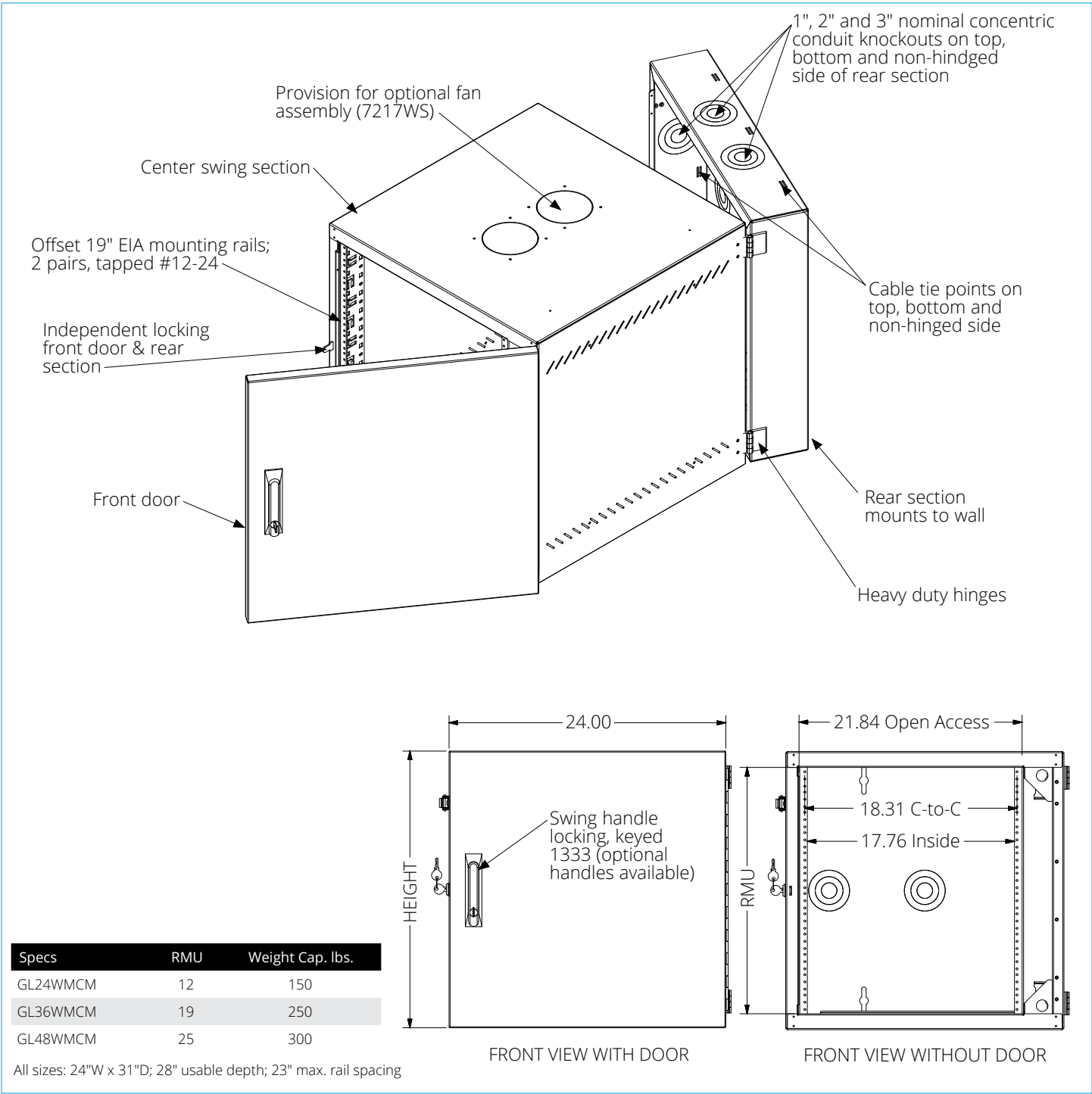
¹4 Digit combination handle; ²Electronic handle SEAL-TLDA

FEATURES

- Two pair of #12-24 mounting rails (depth adjustable)
- Offset mounting rails create dedicated cable management space between the rail and side
- Nominal concentric conduit knockouts on top, bottom, and back of rear section
- 150mm x 25mm Standard door handle cutout
- Reversible mounting for left-hand or right-hand opening
- Standards: UL2416 Listed; RoHS II Compliant



4193 Route 6N • Edinboro, PA 16412 | 1.866.879.4522
View the complete Great Lakes product line at GreatCabinets.com
©2021 Great Lakes Data Racks & Cabinets. All rights reserved.



POPULAR ACCESSORIES

Part No.	Description
CM-04	Horizontal cable organizer with five 3.5" x 5", ¼ turn "D" rings; 2 RMU
CM-05	Horizontal cable organizer with five 1.5" x 3.5", ¼ turn "D" rings; 1 RMU
CM-25	Kit of 10, ¼ turn "D" rings, 1.5" x 3.5"
CM-26	Kit of 10, ¼ turn "D" rings, 3.5" x 5"
7219	6 receptacles, 5-15R receptacle, 5-15P plug, 15 amp, 125V power strip for 19" mounting
CBB-19	Copper Bus Bar for 19" mounting