

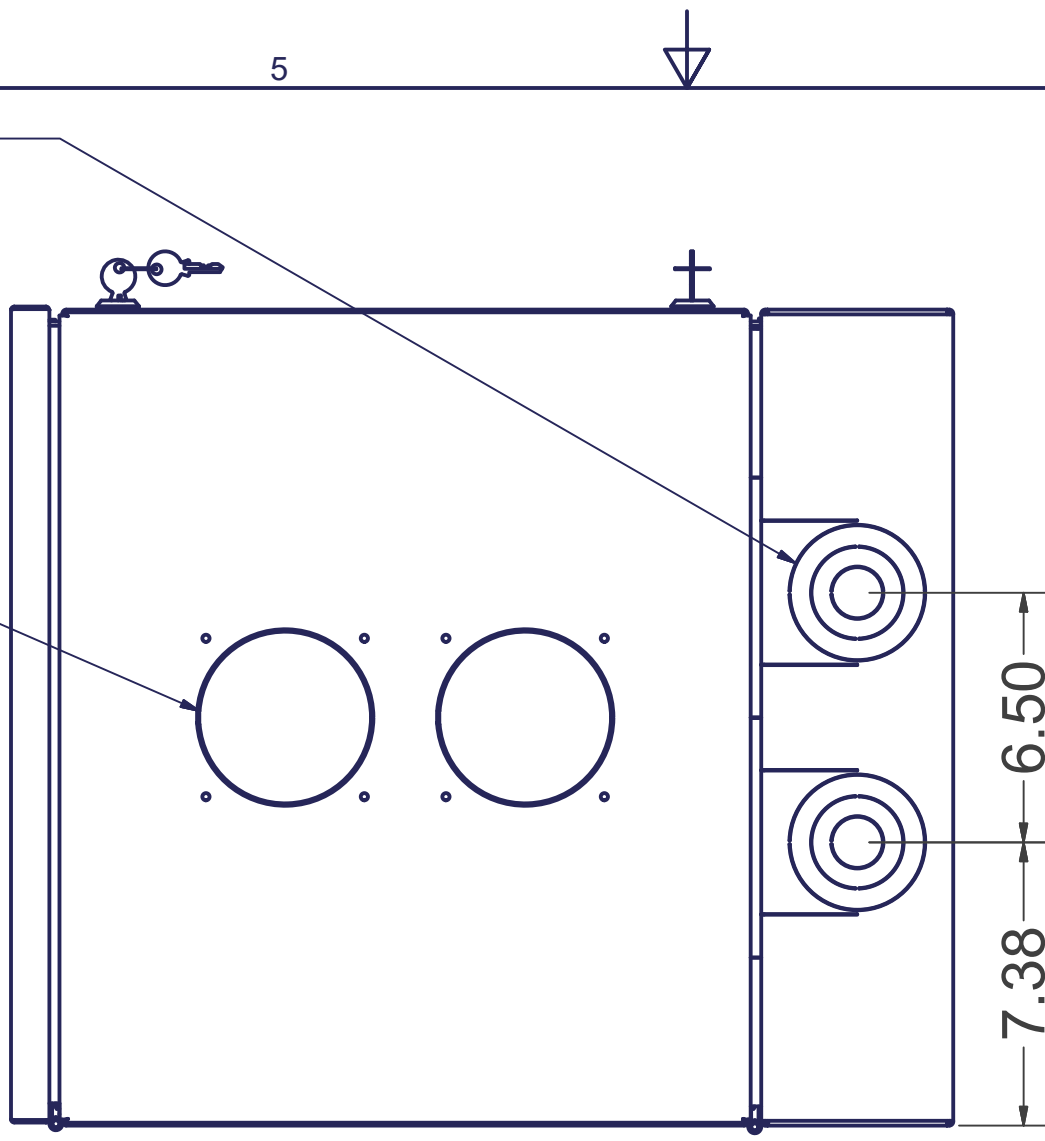
1", 2", AND 3" REAR SECTION
NOMINAL CONCENTRIC CONDUIT
KNOCKOUT

2 FAN UNIT OPTIONAL

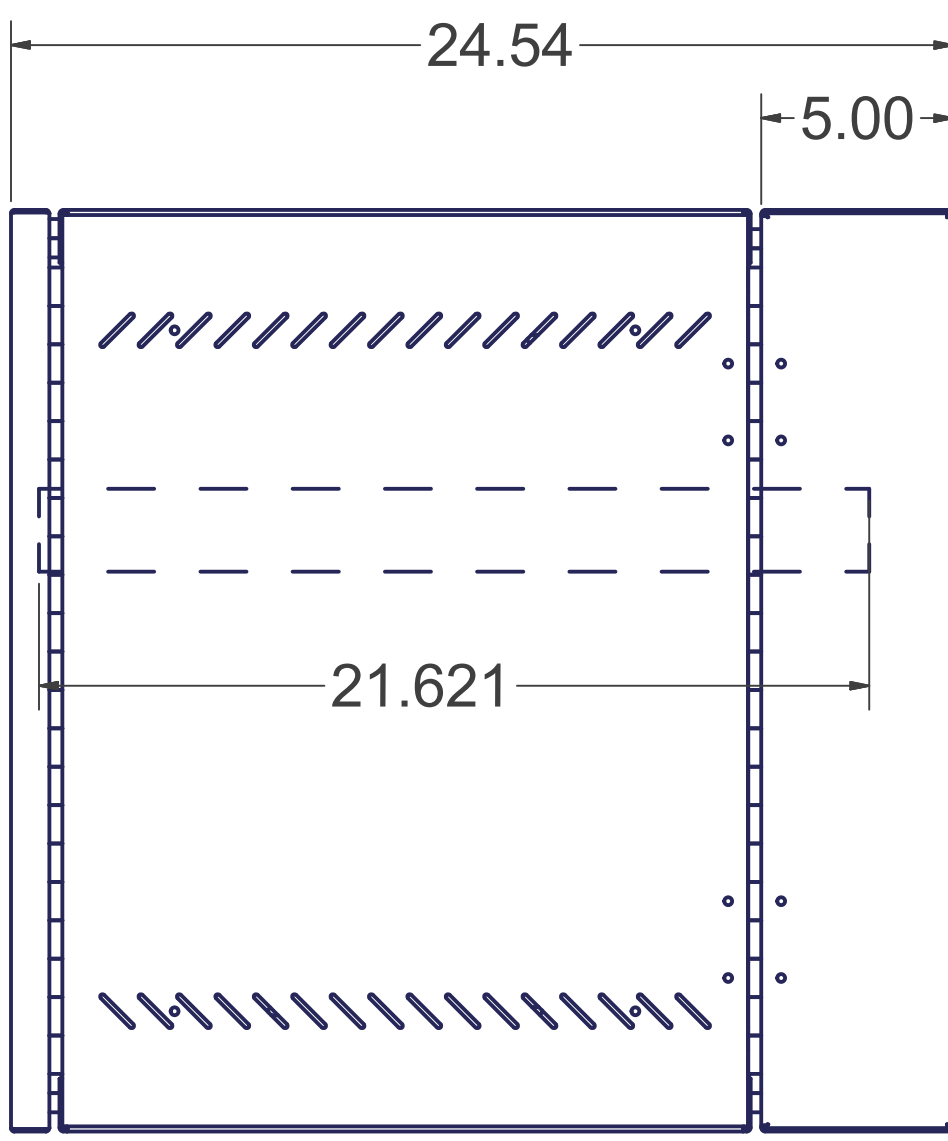
#12-24 UNC - 2B TAPPED
MOUNTING HOLES
SCREWS PROVIDED

INDEPENDENT LOCKING FRONT
AND REAR DOOR SECTION

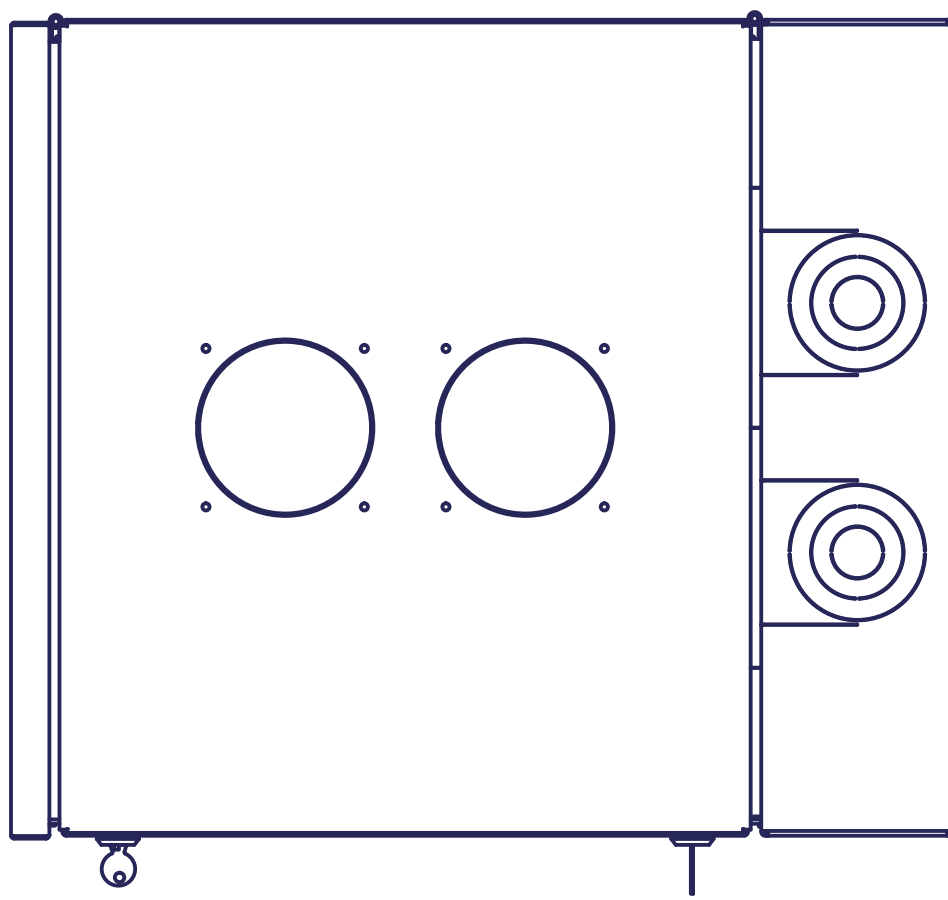
MOUNTING HOLES FOR
3/8" HARDWARE



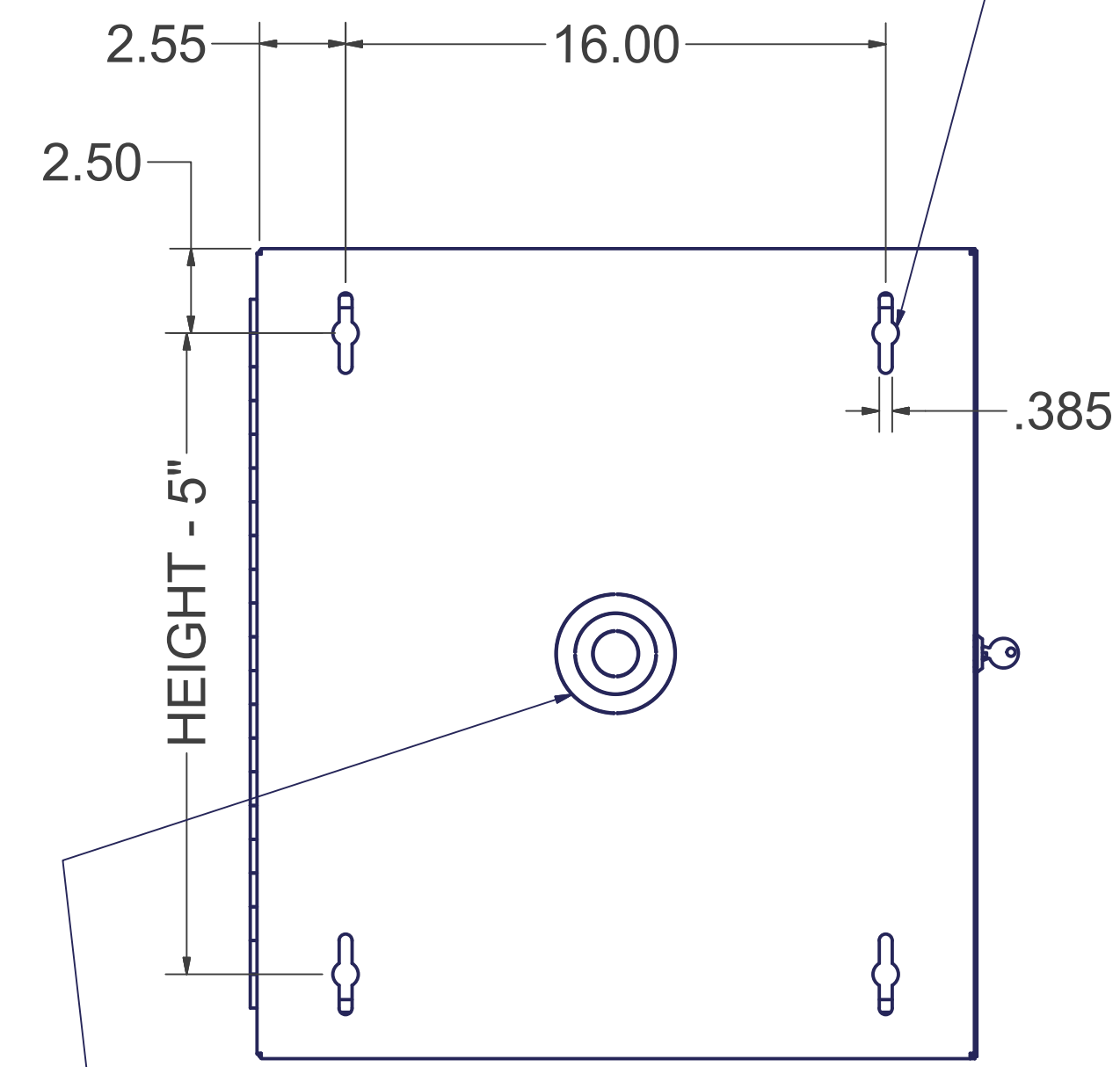
TOP VIEW



RIGHT SIDE VIEW

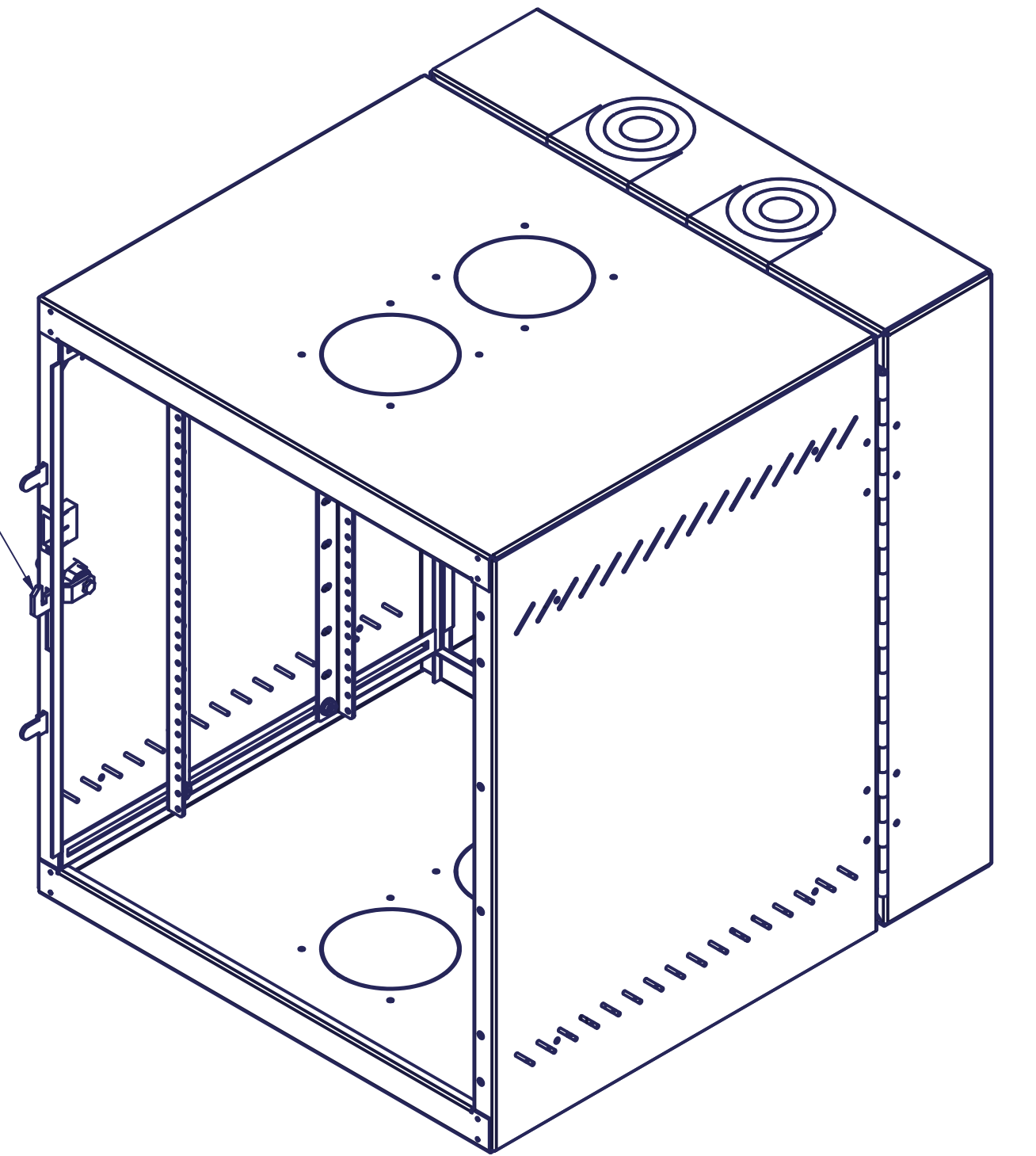


BOTTOM VIEW

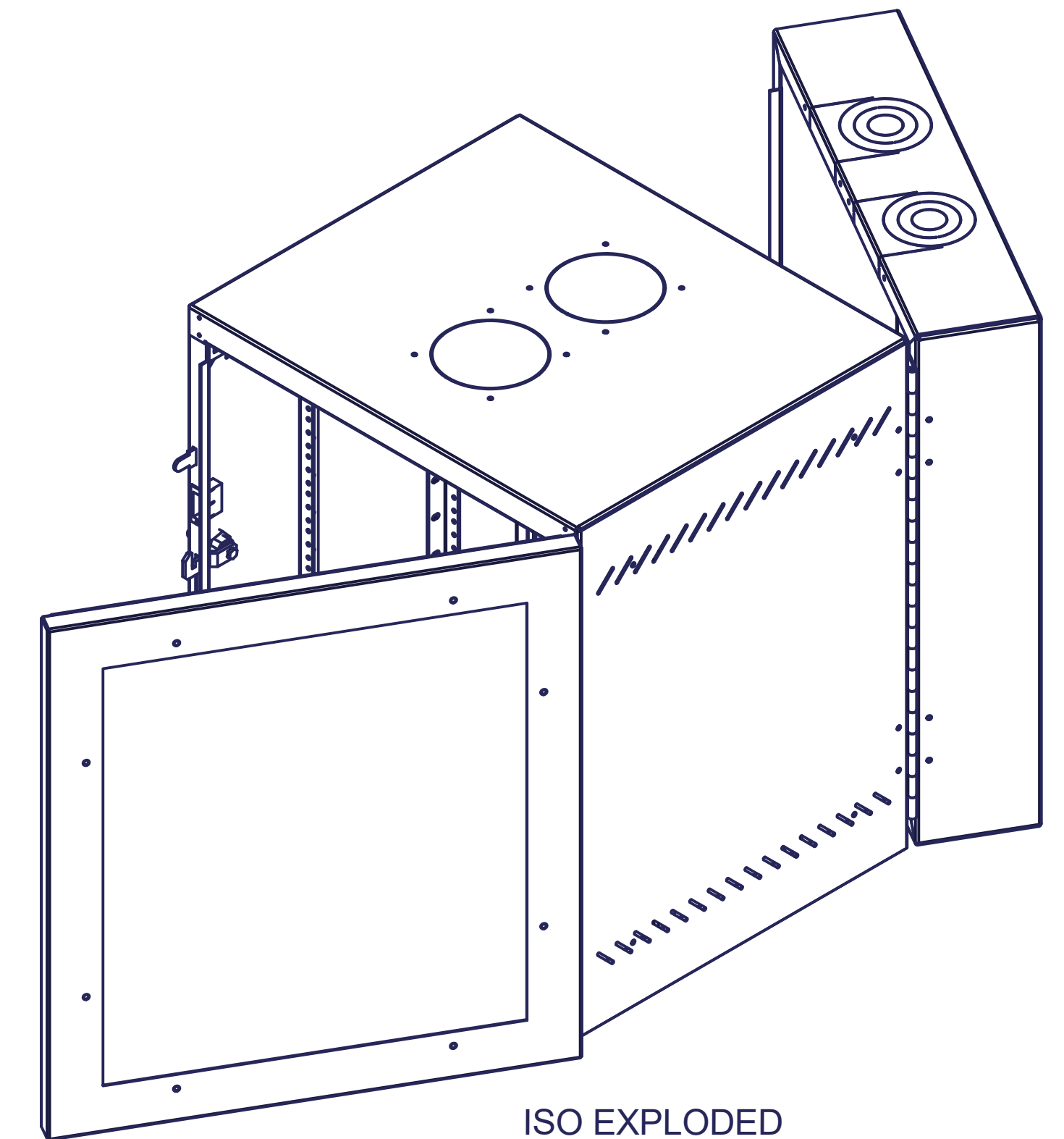


BACK VIEW

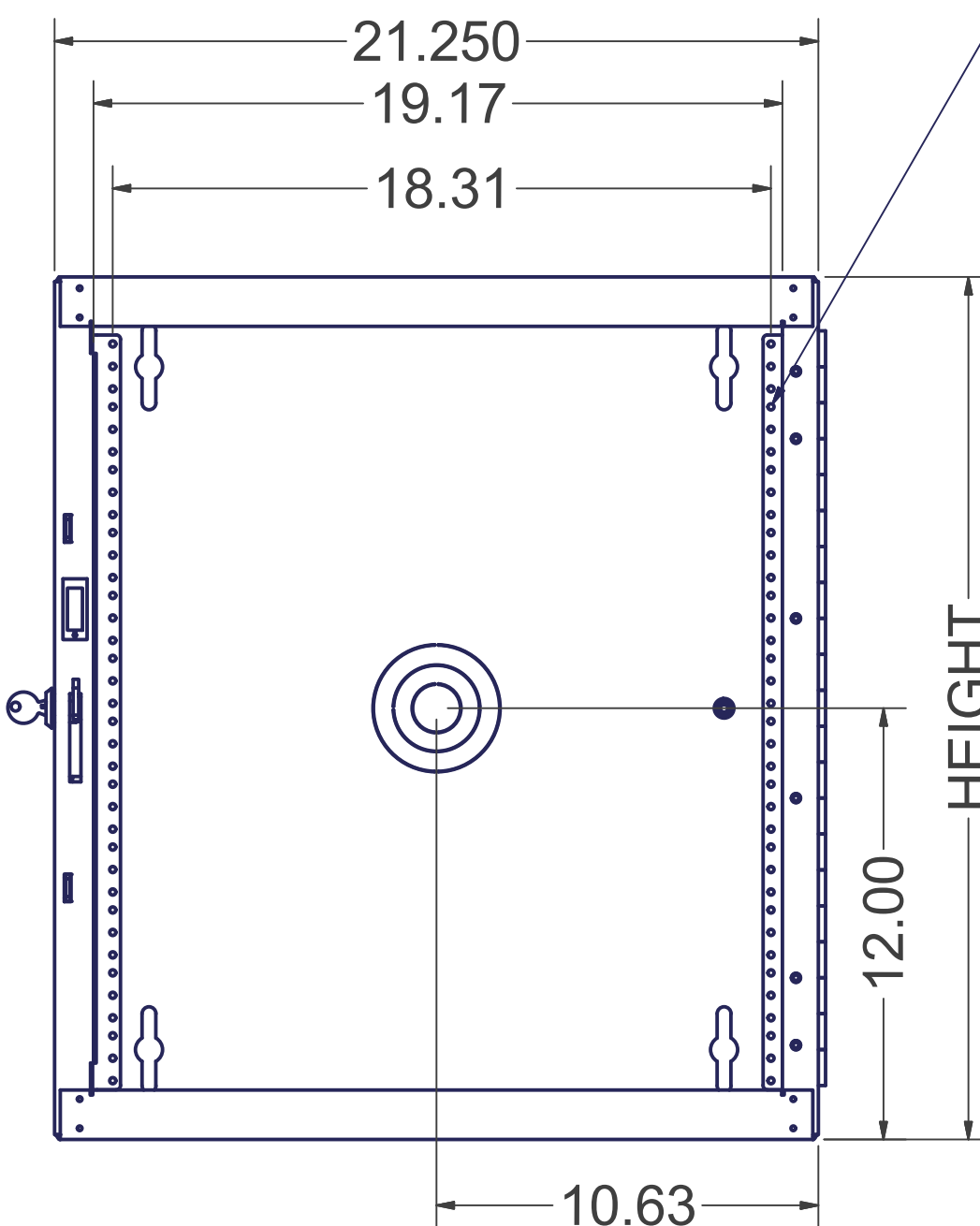
1", 2", 3", AND 4" REAR SECTION
NOMINAL CONCENTRIC CONDUIT
KNOCKOUT



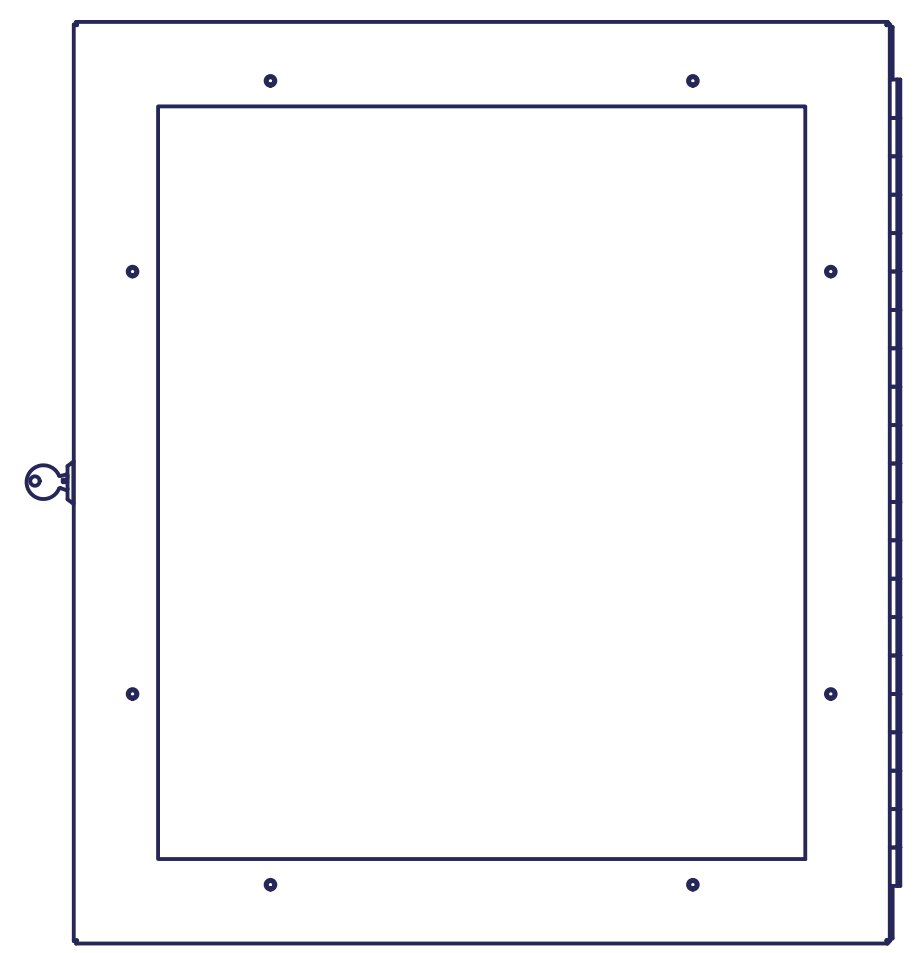
ISO COLLAPSED
(without Door)



ISO EXPLODED
(with MESH DOOR SHOWN)



FRONT VIEW
(without Door)



FRONT VIEW
(with Mesh Door)

Column 1	HEIGHT	RMU	CAPACITY	DOOR	FANS
GL24WMM-B-00	24.0	12	150	MESH	OPTIONAL
GL24WMM-B-AF	24.0	12	150	MESH	INCLUDED
GL24WMP-B-00	24.0	12	150	PLEXI	OPTIONAL
GL24WMP-B-AF	24.0	12	150	PLEXI	INCLUDED
GL24WMS-B-00	24.0	12	150	SOLID	OPTIONAL
GL24WMS-B-AF	24.0	12	150	SOLID	INCLUDED
GL36WMM-B-00	36.0	19	250	MESH	OPTIONAL
GL36WMM-B-AF	36.0	19	250	MESH	INCLUDED
GL36WMP-B-00	36.0	19	250	PLEXI	OPTIONAL
GL36WMP-B-AF	36.0	19	250	PLEXI	INCLUDED
GL36WMS-B-00	36.0	19	250	SOLID	OPTIONAL
GL36WMS-B-AF	36.0	19	250	SOLID	INCLUDED
GL48WMM-B-00	48.0	25	350	MESH	OPTIONAL
GL48WMM-B-AF	48.0	25	350	MESH	INCLUDED
GL48WMP-B-00	48.0	25	350	PLEXI	OPTIONAL
GL48WMP-B-AF	48.0	25	350	PLEXI	INCLUDED
GL48WMS-B-00	48.0	25	350	SOLID	OPTIONAL
GL48WMS-B-AF	48.0	25	350	SOLID	INCLUDED

INTERPRET DRAWING PER ASME Y14.5M-1994
DIMENSIONAL LIMITS APPLY
AFTER APPLICATION OF FINISH
DRAWING NOT TO SCALE
TOLERANCE UNLESS OTHERWISE NOTED:
ANGULAR +/- .1"
.XXXX +/- .010
.XXX +/- .015
.XX +/- .030
.X FOR REF. ONLY
UNLESS OTHERWISE SPECIFIED
ALL DIMENSIONS ARE IN INCHES

NOTICE:

Use of this document is subject to a confidentiality and nondisclosure agreement with Great Lakes Data Racks and Cabinets and may not be reproduced, disclosed or utilized in whole or in part without prior written authorization.

PART NUMBER:
GLXXWMX-B-XX
MATERIAL TYPE:
MATERIAL GAUGE:
FINISH:
DRAWN DATE
CD 3/4/2011
CHECKED & APP. DATE

TITLE
WM SERIES
GREAT LAKES DATA RACKS AND CABINETS
P.O. BOX 551 EDINBORO, PA 16412
PHONE (814) 734-7303 FAX (814) 734-3907
E-MAIL glcc@greatcabinets.com
DWG NO:
WM
REV
0
SHEET: 1 OF 1

EST. WEIGHT :
N/A
THIRD ANGLE
PROJECTION