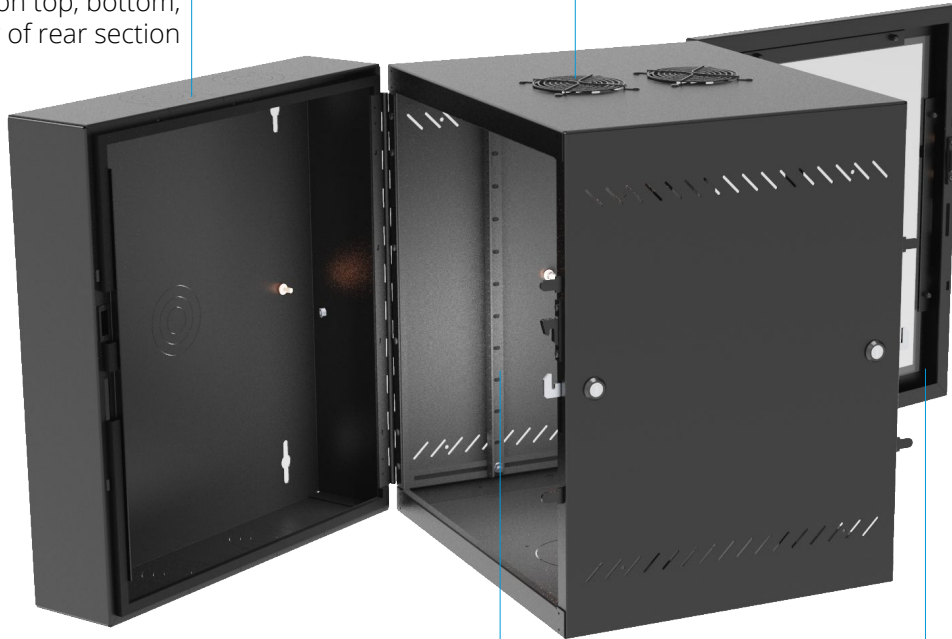




## WALL MOUNT: STANDARD FEATURES

**Cable Access**  
Nominal concentric knockouts on top, bottom, and center of rear section

**Fan Assembly**  
Optional two 75 CFM fans



**Independent Locks**  
Front door and rear section lock independently

**Mounting Rails**  
2 pair #12-24 rails, depth adjustable

**Door Options**  
Choose mesh, plexi, or solid

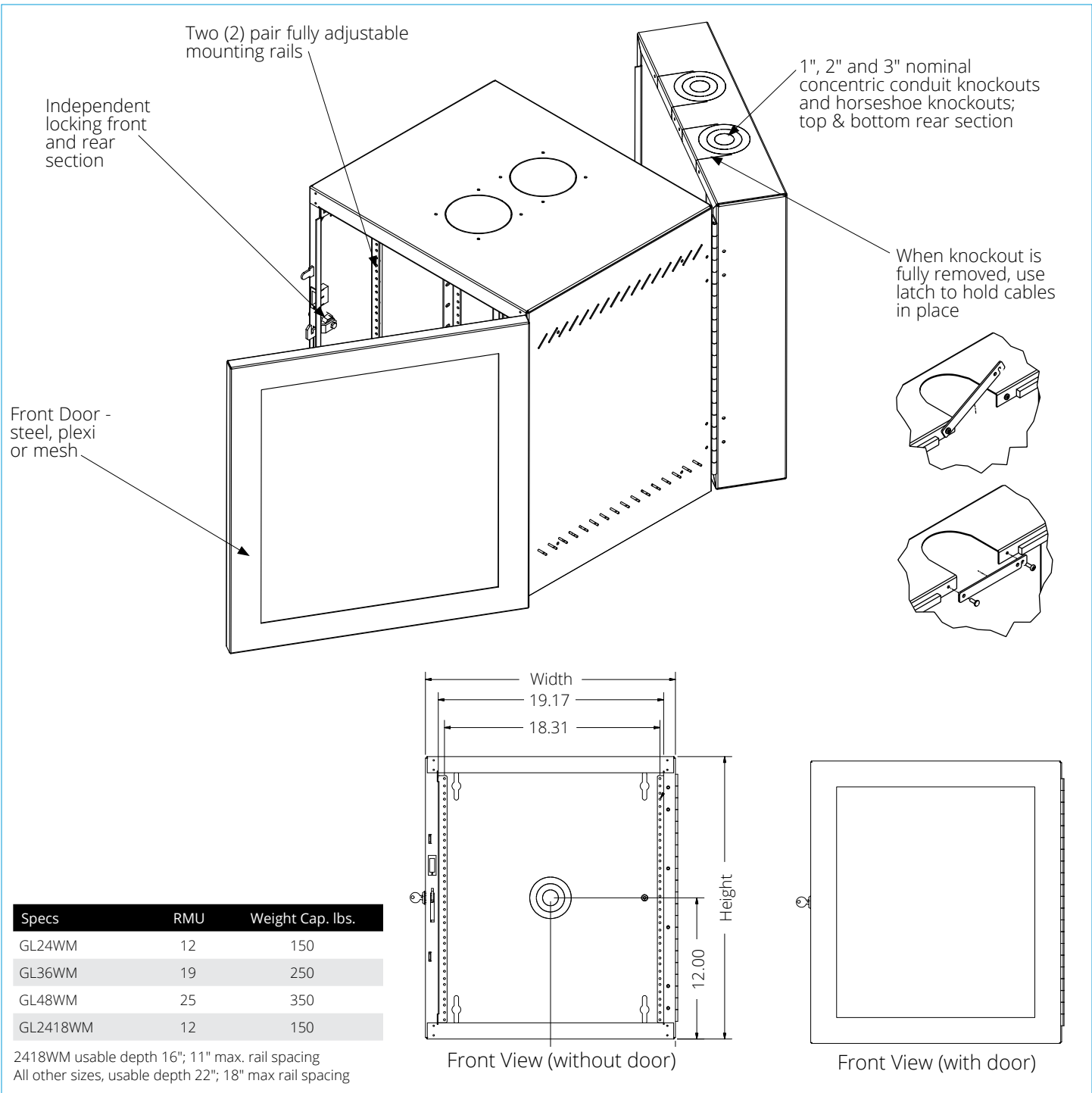
Height	Door	Color	Airflow	Example
GLXXWM	X-	B-	XX-	Configured WM
<b>24</b> (24 x 25)	<b>P</b> (Plexi)	<b>B</b> (Black)	<b>AF</b> (Fan Included)	<b>GL24WMP-B-AF</b>
<b>36</b> (24 x 25)	<b>M</b> (Mesh)		<b>00</b> (None)	
<b>48</b> (24 x 25)	<b>S</b> (Solid)			
<b>2418</b> (24 x 18)				

### FEATURES

- Two pair of #12-24 tapped mounting rails (depth adjustable)
- Horseshoe knockouts allow already terminated cable to be installed or removed without having to disconnect
- Optional dust kit to protect equipment in contaminated areas
- Independent keyed locks on front door and rear section
- Reversible mounting for left-hand or right-hand opening
- Standards: UL2416, RoHS II



4193 Route 6N • Edinboro, PA 16412 | 1.866.879.4522  
View the complete Great Lakes product line at [GreatCabinets.com](http://GreatCabinets.com)  
©2021 Great Lakes Data Racks & Cabinets. All rights reserved.



Specs	RMU	Weight Cap. lbs.
GL24WM	12	150
GL36WM	19	250
GL48WM	25	350
GL2418WM	12	150

2418WM usable depth 16"; 11" max. rail spacing  
 All other sizes, usable depth 22"; 18" max rail spacing

### POPULAR ACCESSORIES

Part No.	Description
CM-04	Horizontal cable organizer with five 3.5" x 5", ¼ turn "D" rings; 2 RMU
CM-05	Horizontal cable organizer with five 1.5" x 3.5", ¼ turn "D" rings; 1 RMU
7219	6 receptacles, 5-15R receptacle, 5-15P plug, 15 amp, 125V power strip for 19" mounting
CBB-19	Copper Bus Bar for 19" mounting
DK2	Dust resistant kit, includes cover plates, fan filters and hardware
7206-FR-A18	Stationary shelf (front/rear mount adjustable), 17.5"W x 18"D, 1 RMU, 150 lb. weight capacity