

# OSV OPTIMUS SUPER VENT PEDESTAL

(OSV2436, OSV2442)



OSV2436

OSV2442

## FEATURES

- OSV Super Vent designed to house fiber optic high-heat nodes
- Channell's UV Resistant Heat Dissipation Cover (HDC)
- 360 degrees access to working equipment
- Channell's Self-Locking system
- Molded lifting handle designed into the cover
- BULK's racking designed for cable management and securing splice enclosure
- Super-heavy duty node bracket for heavy-weight nodes

# PRODUCT SUMMARY

Channell's Optimus Super Vent (OSV) Pedestal is a robust platform for protecting fiber optic nodes and is synonymous with reliability and performance in the outside plant environment. The OSV platform is a direct replacement to the SPH pedestal housings which have been the industry standard for many years.

Channell's Heat Dissipation Cover (HDC) is fully vented on all four sides and has an insulated attic area to help reduce costly node failures caused by overheating. The base is Channell's BULK vault body which features the highest performance standards in the industry.

BULK's racking designed for cable management and securing splice enclosure (G6 shown)

Channell's UV Resistant Heat Dissipation Cover (HDC)

Molded lifting handle designed into the cover

Channell's Self-Locking system



L01 Standard (P-Key)



LB1 LB Pattern



LH1 Hex Self-Lock

BULK Vault deflection brackets

360 degrees access to working equipment

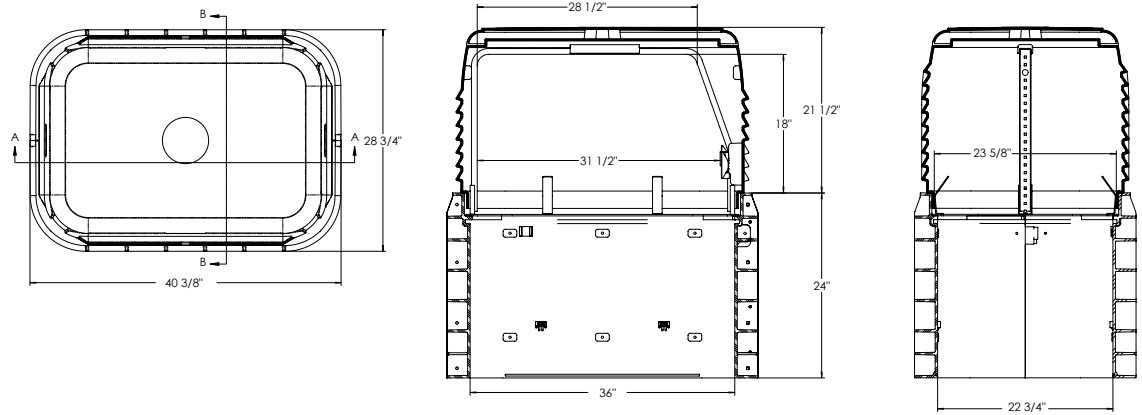


Free-breathing closures

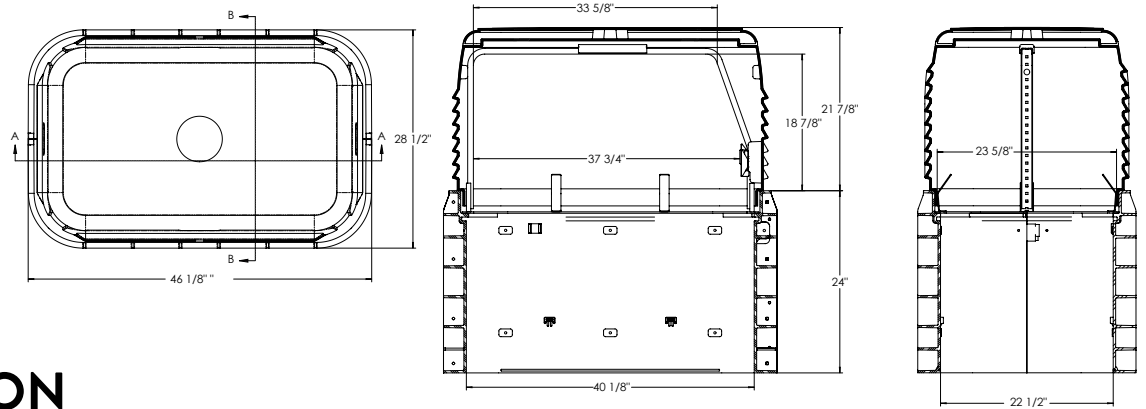


Lightweight ultra-strong vault body

### OSV 2436 Dimensions

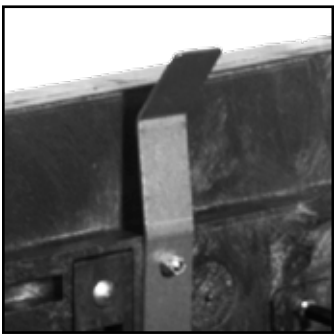


### OSV 2442 Dimensions



## APPLICATION

Channell's broadband products are known for their superior quality, but what sets the OSV apart from the competition is its true internal dimensions and proven heat performance. The BULK Vault's deflection brackets shown below prevent the pedestal from caving in over time due to snow loads and other environmental conditions. All of these features ensure the OSV will protect your fiber nodes for many years into the future.

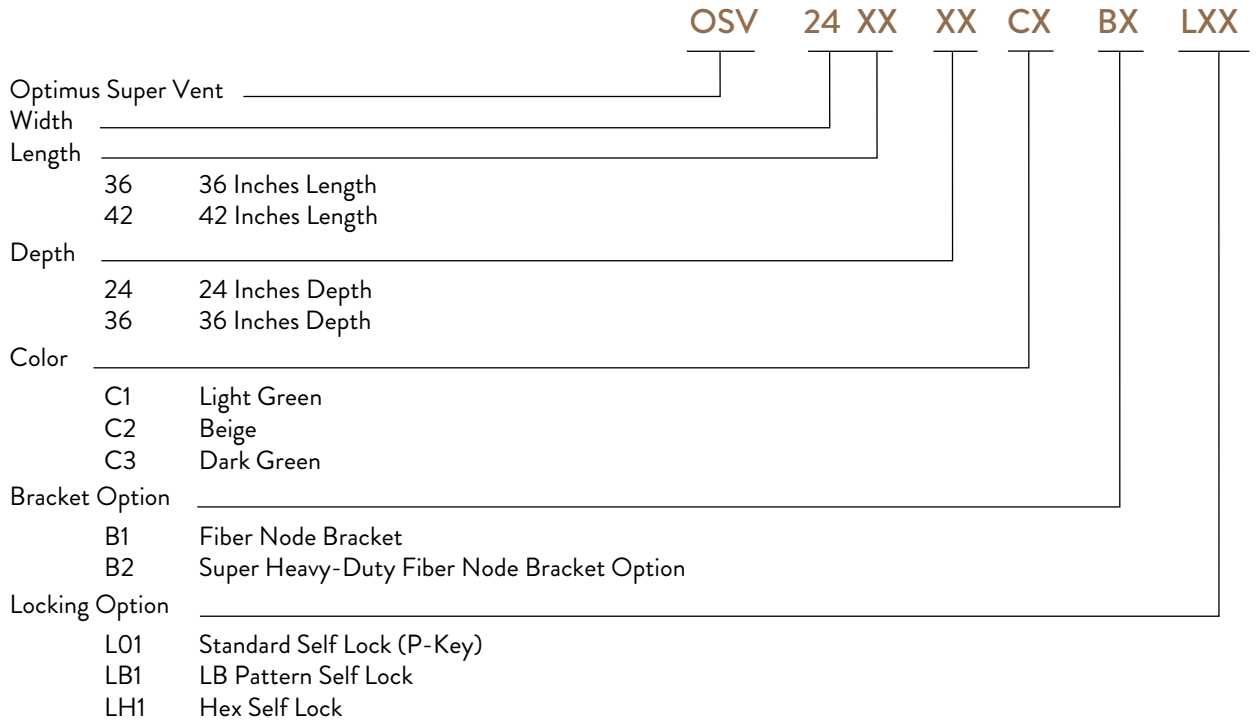


(4) BULK Vault deflection brackets



90° Splice closure mounting

# PART NUMBER MATRIX



**CHANNELL**

Where The Industry Connects.

**UNITED STATES:** Channell Commercial Corporation, Temecula, CA, United States • Tel 800.423.1863 • Fax 951.296.2322

Channell Commercial Corporation, Rockwall, TX, United States • Tel 214.304.7800

**CANADA:** Channell Canada, Inc., Mississauga, ON, Canada • Tel 905.565.1700 • Fax 905.565.8282

**EUROPE, MIDDLE EAST, AFRICA:** Channell Ltd., Dartford, United Kingdom • Tel 44.1322.312590 • Fax 44.1322.508490

**AUSTRALIA, ASIA, PACIFIC RIM:** Channell Pty. Ltd., Seven Hills, NSW, Australia • Tel 61.2.8884.4111 • Fax 61.2.8814.8841

**DEVELOPING LOCATION:** Mexico City, D.F., Mexico

**WORLDWIDE HEADQUARTERS:** Channell Commercial Corporation • Tel 951.719.2600 • 26040 Ynez Road, P.O. Box 9022, Temecula, CA 92589-9022, United States

[www.channell.com](http://www.channell.com)

All specifications subject to change without notice. © 2020 Channell Commercial Corporation. All rights reserved.