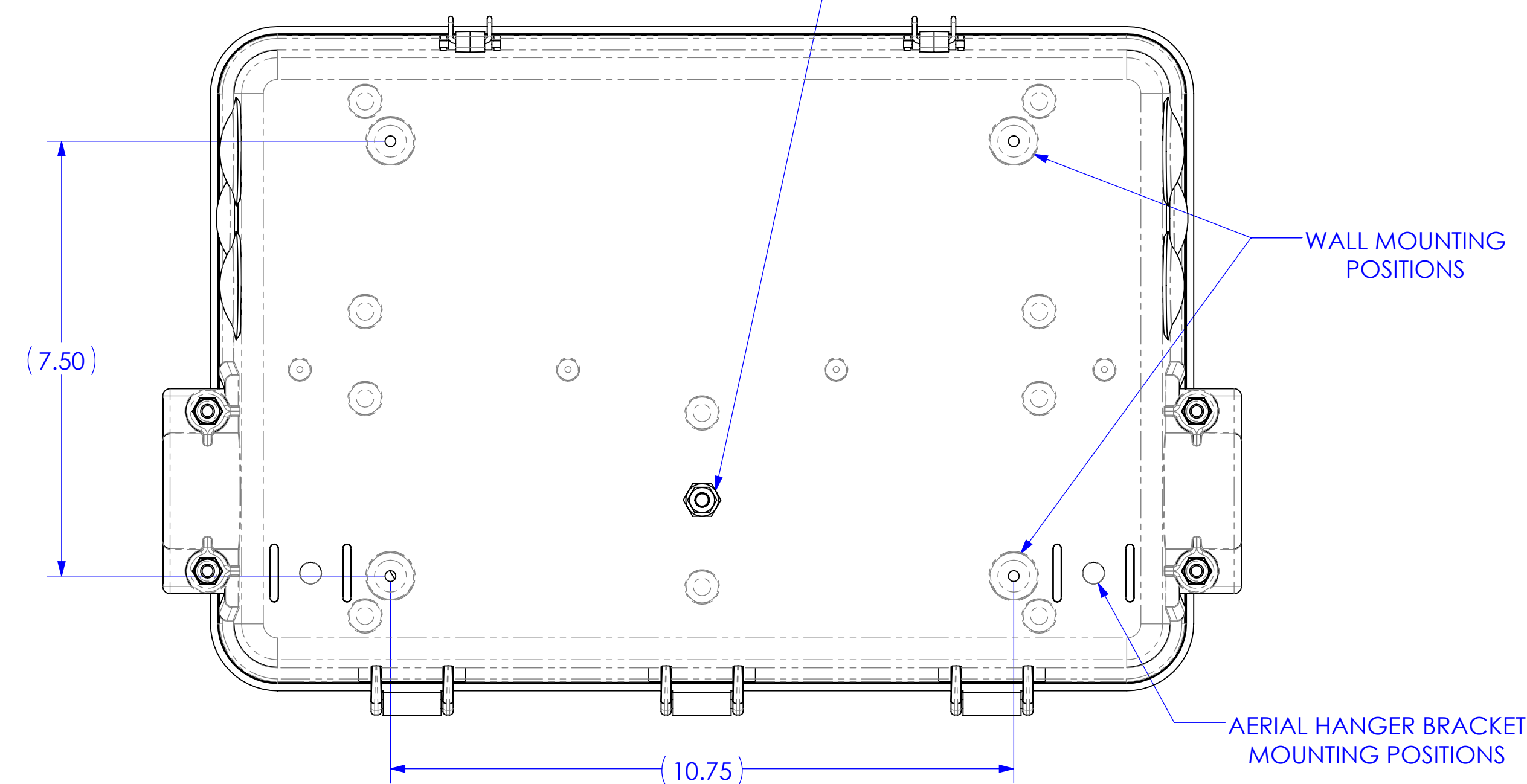
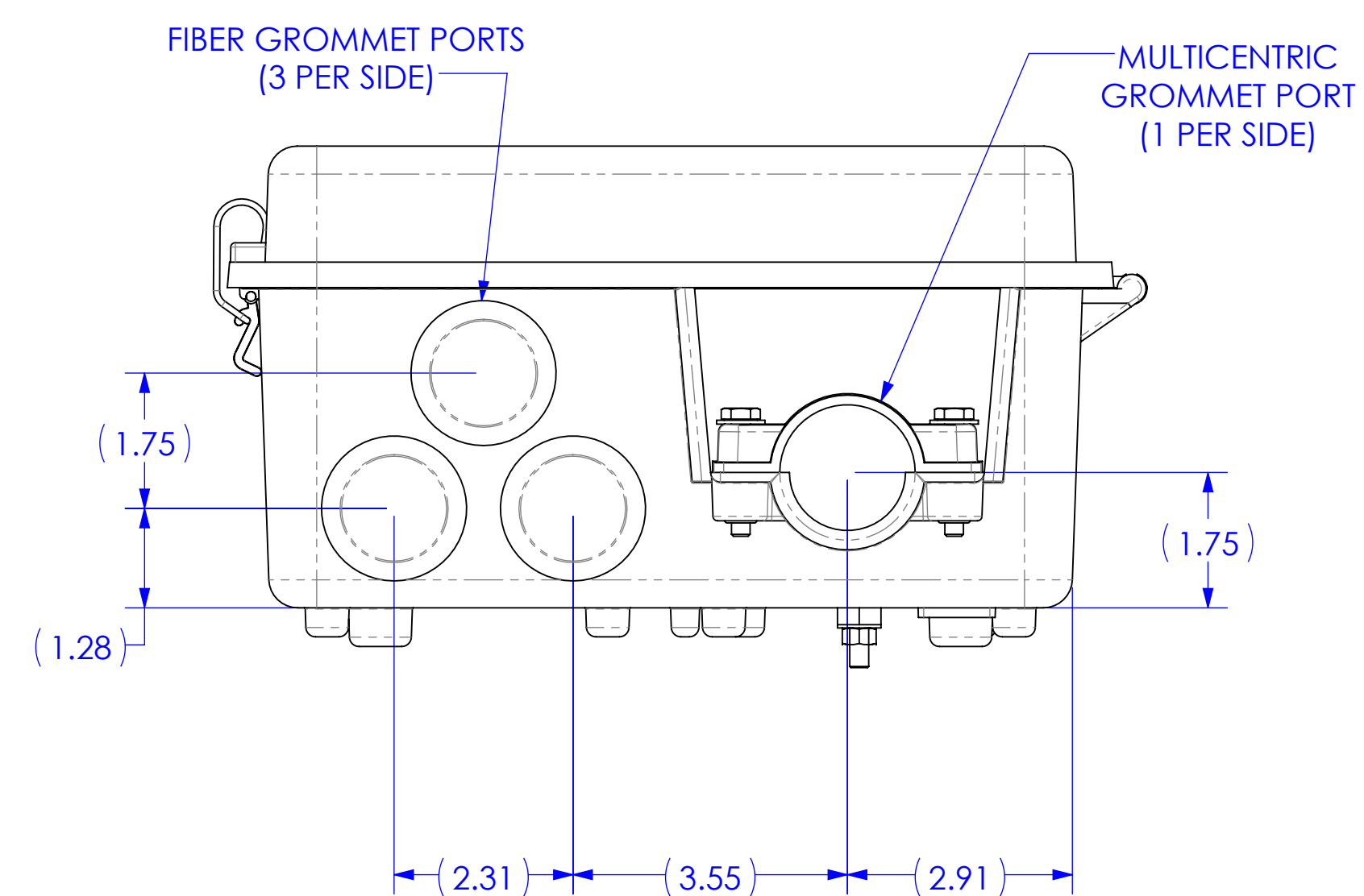
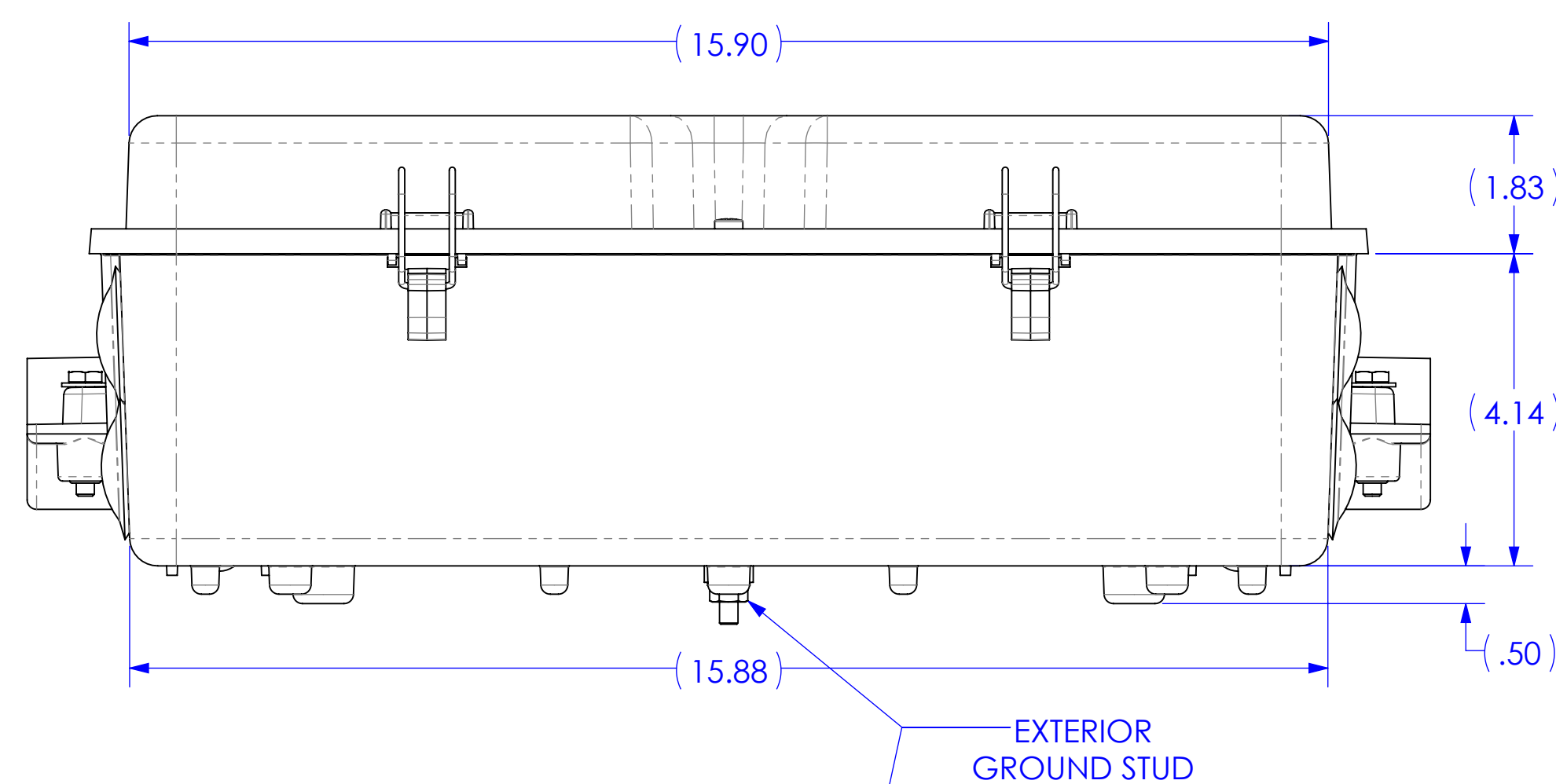
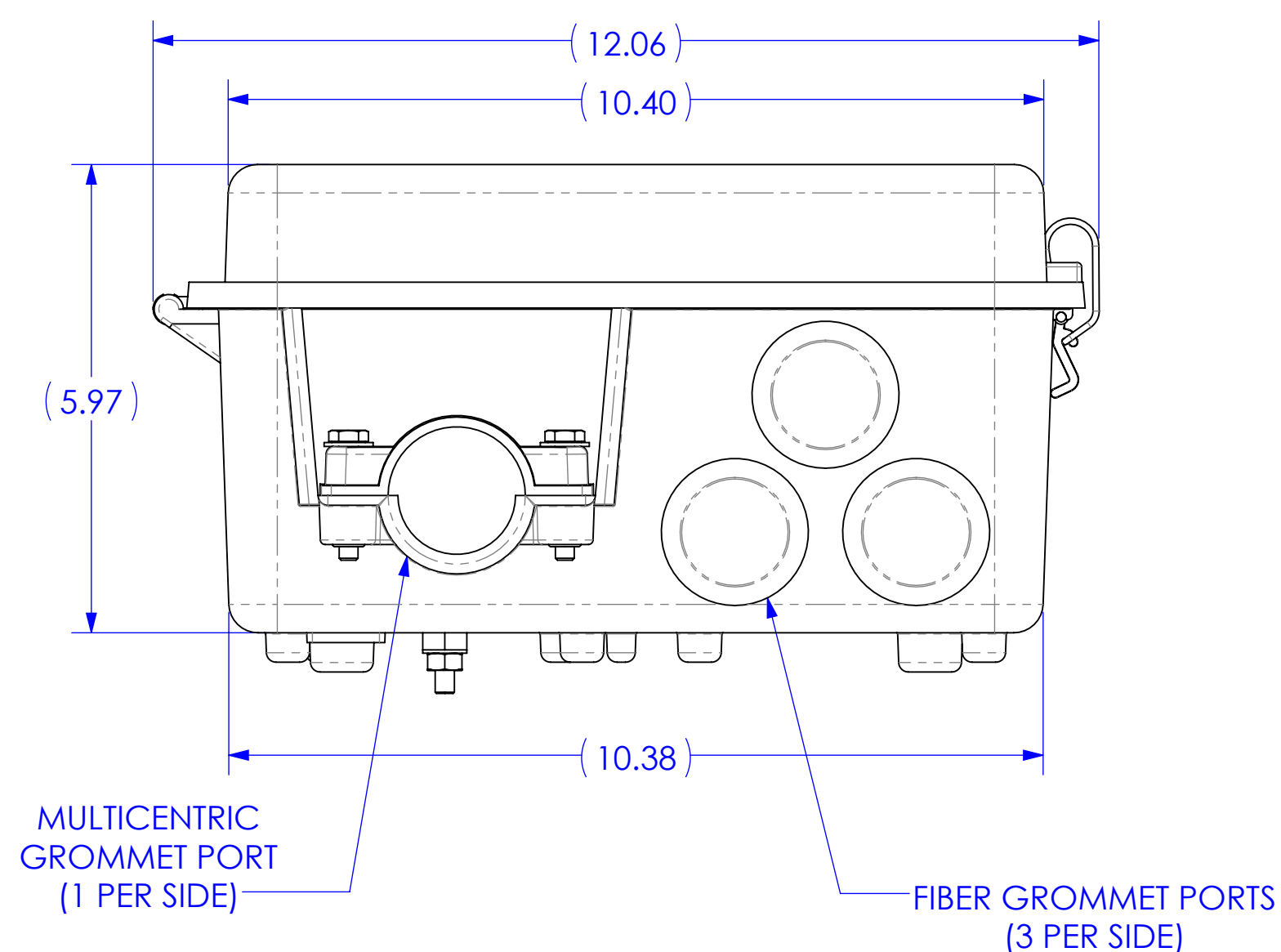
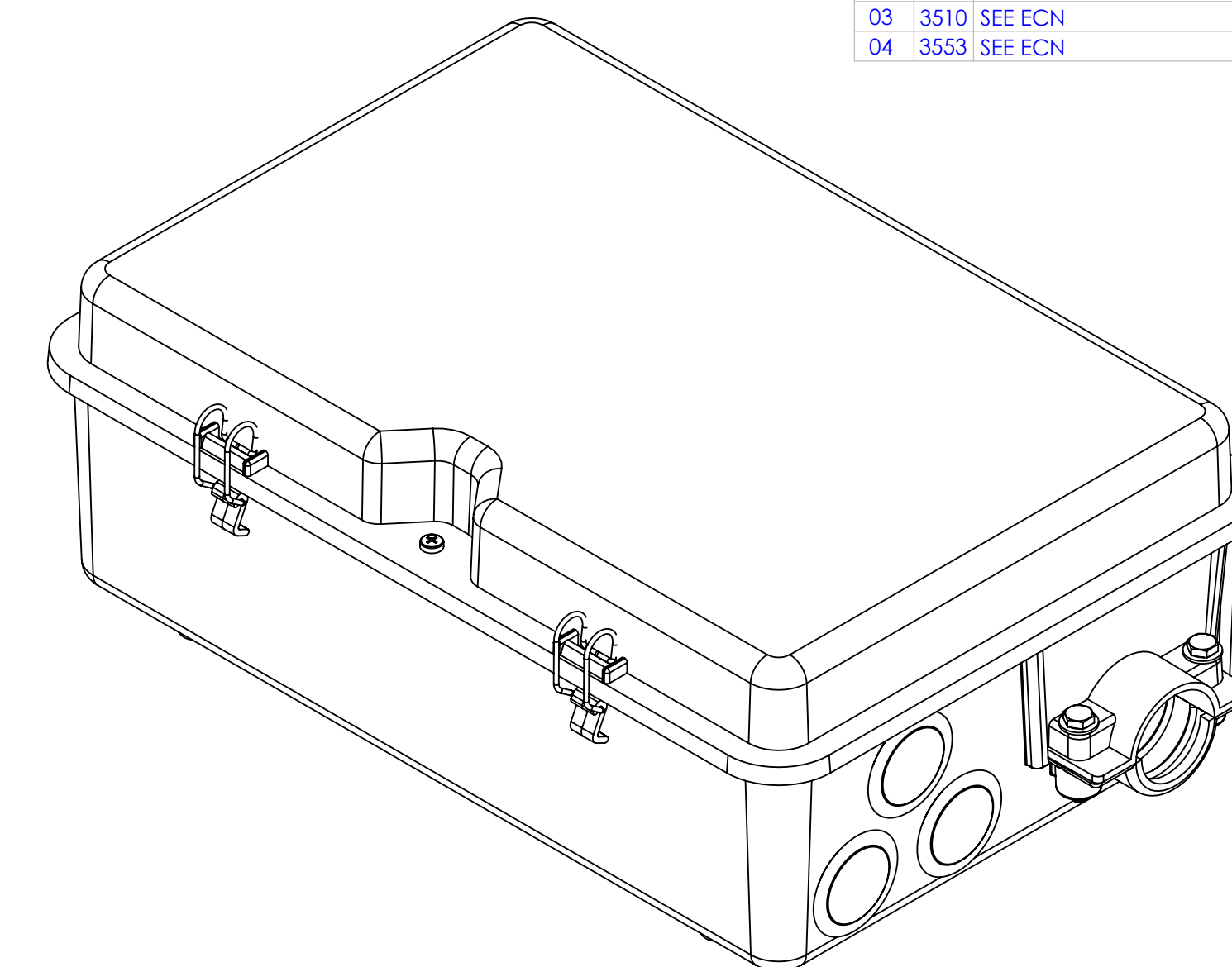
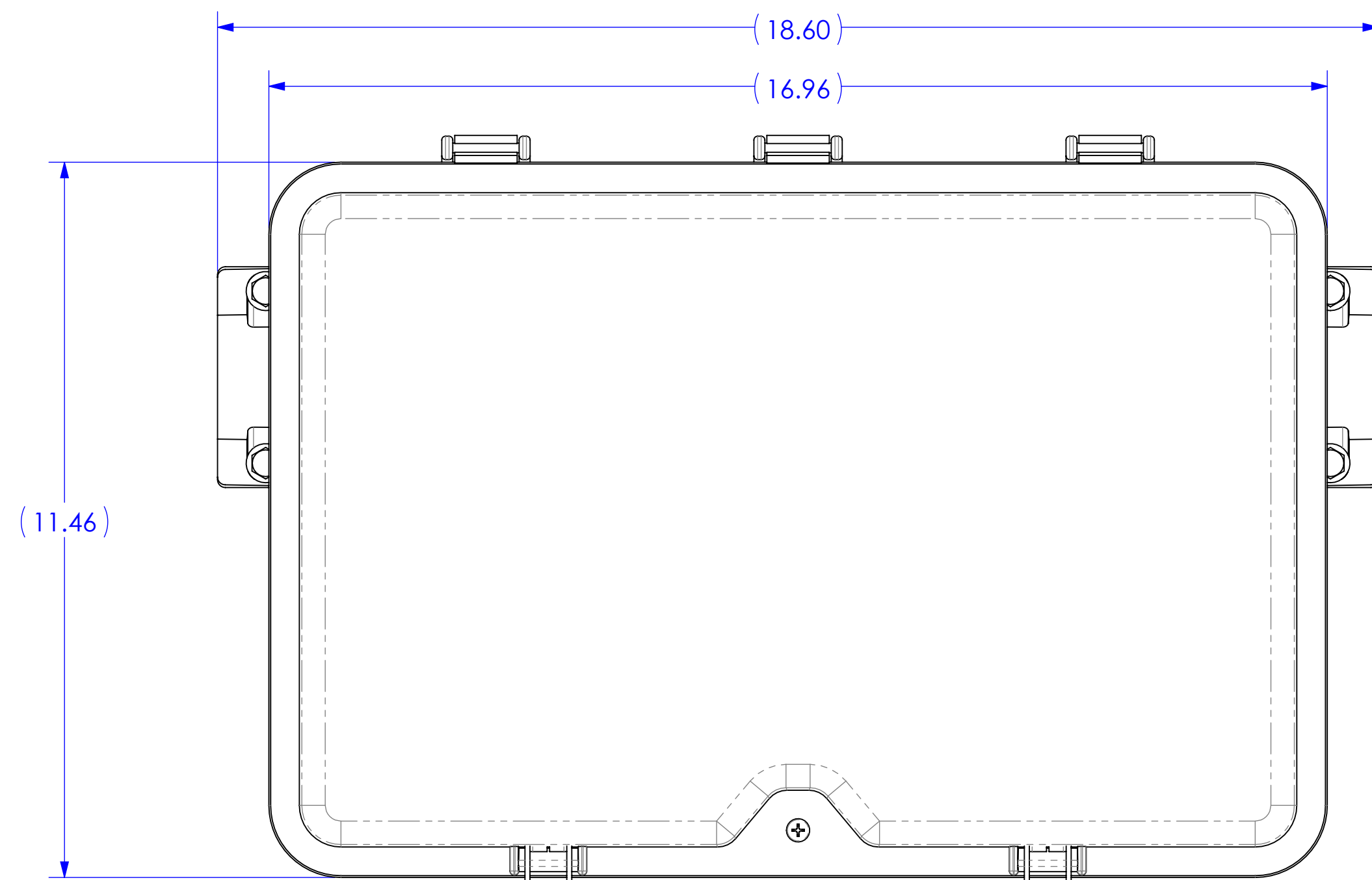


REV.	ECN #	DESCRIPTION OF CHANGE	DATE	BY	MFG ENG
01	N/A	INITIAL RELEASE	03/17/09	L.P.K.	
02	1996	SEE ECN	03/01/10	JR	
03	3510	SEE ECN	12/02/14	L.P.K.	
04	3553	SEE ECN	02/29/15	CN	



UNLESS OTHERWISE SPECIFIED DIMENSIONS ARE IN INCHES
 TOLERANCES ARE:
 FRACTIONS: DECIMALS: ANGLES:
 ±1/32 .005 ±.01 51°
 ALL FLATS TO BE ±.005
NO SHARP EDGES OR BURRS ALLOWED
 MATERIAL: SEE B.O.M.
 FINISH: SEE B.O.M.
 DO NOT SCALE DRAWING

THIS DOCUMENT AND THE INFORMATION CONTAINED THEREIN ARE CONFIDENTIAL & PROPRIETARY TO MULTILINK AND MAY NOT BE COPIED OR DISCLOSED TO OTHERS WITHOUT THE WRITTEN CONSENT FROM MULTILINK. THE INFORMATION IS TO BE PROMPTLY RETURNED TO MULTILINK UPON REQUEST.

DRAWN BY: L.P.K. DATE: 03/17/2009
 CHECKED BY: DATE:
 MFG ENG: DATE:
 QUALITY ENG: DATE:

Multilink
 FITH-OTE 6 PORT W/8X SCAPC & M-LINK LOGO
 DWG. NO. 020-066-10-REF
 SCALE: 1:2
 REV. 04
 1 OF 2

