



## RNI-200



### Product Description

The Multilink RNI-200 is a plastic demarcation enclosure designed for use in either indoor or outdoor environments. It is a non-captive box that features our patented FlexGrid™ mounting system. The RNI-200 has various component kits available which allows the proper configuration for your application.




### Features & Benefits

- Security bolt compatible with \*216C tool (\*sold separately)
- Hasp allows for use of \*padlock (\*sold separately)
- Patented FlexGrid™ slots accept #6 and/or #8 screws
- Various mounting brackets and adapter assembly options
- Velcro Straps provided allowing for continuous cable management

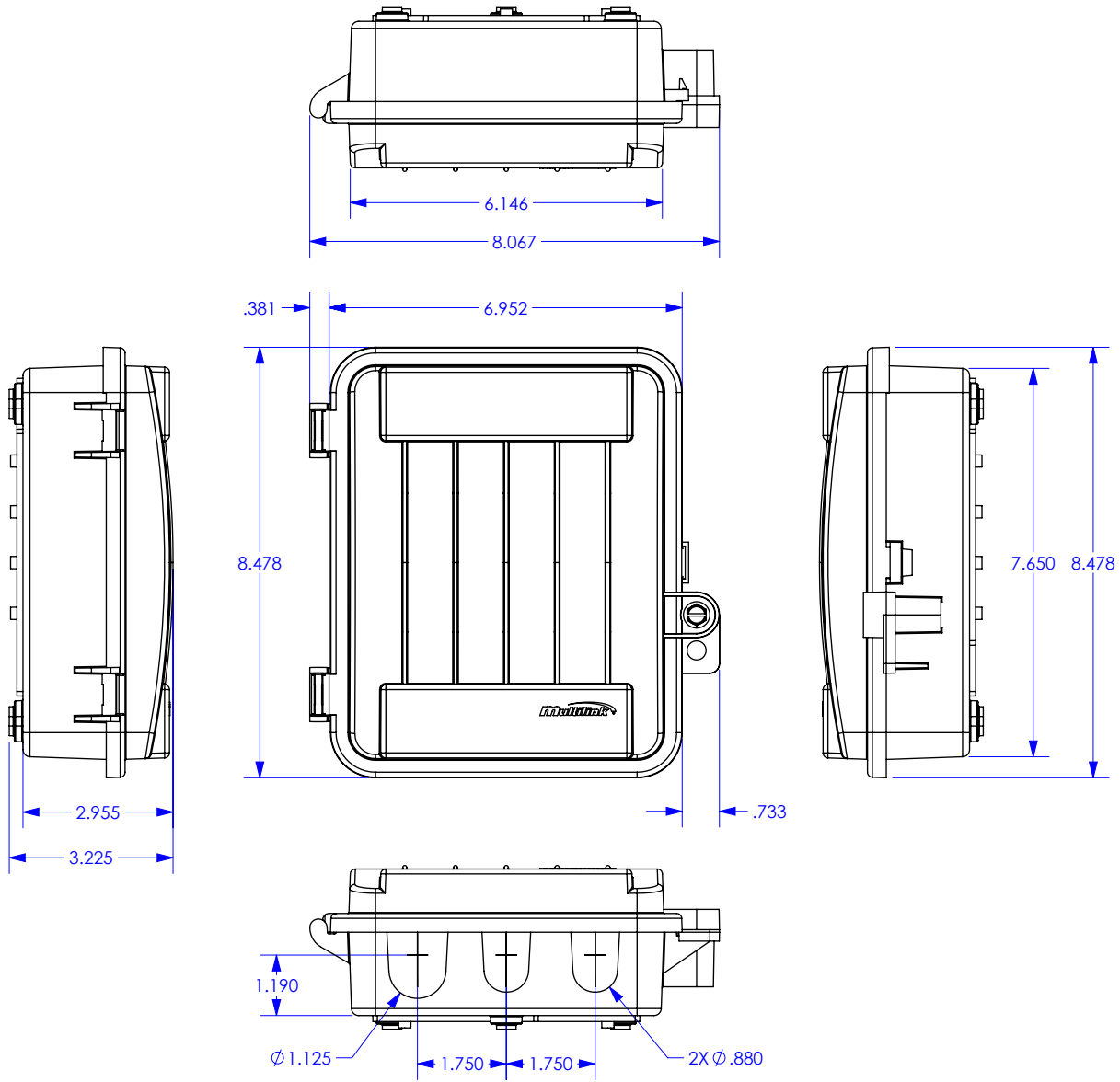
## Specifications

Parameter	Specification
<b>Dimensions:</b>	8.06" W x 8.47" H x 3.22" D
<b>Material:</b>	UV Stabilized Plastic
<b>Color:</b>	Gray
<b>Mounting:</b>	Wall
<b>Security:</b>	Hex Wrench Pad Lock Fitting
<b>Custom Logo:</b>	Yes
<b>Removable Cover:</b>	Yes
<b>Cable Entry:</b>	Non-Captive

## Accessories

Accessories		
Products	Description	Stock ID
	Splice Holder	649-255-10
	6 Position Splice Sleeve	649-257-10
	Slack Storage Clips	649-256-10

**Dimensional Drawings**



# ***Multilink***®

***Innovation At Work***



Multilink Inc.  
580 Ternes Ln  
Elyria, OH 44035  
Tel: (440) 366-6966  
Fax: (440) 366-6802



[facebook.com/GoMultilink](https://facebook.com/GoMultilink)



[twitter.com/GoMultilink](https://twitter.com/GoMultilink)



[youtube.com/GoMultilink](https://youtube.com/GoMultilink)

© Multilink Inc. 2017 • All Rights Reserved