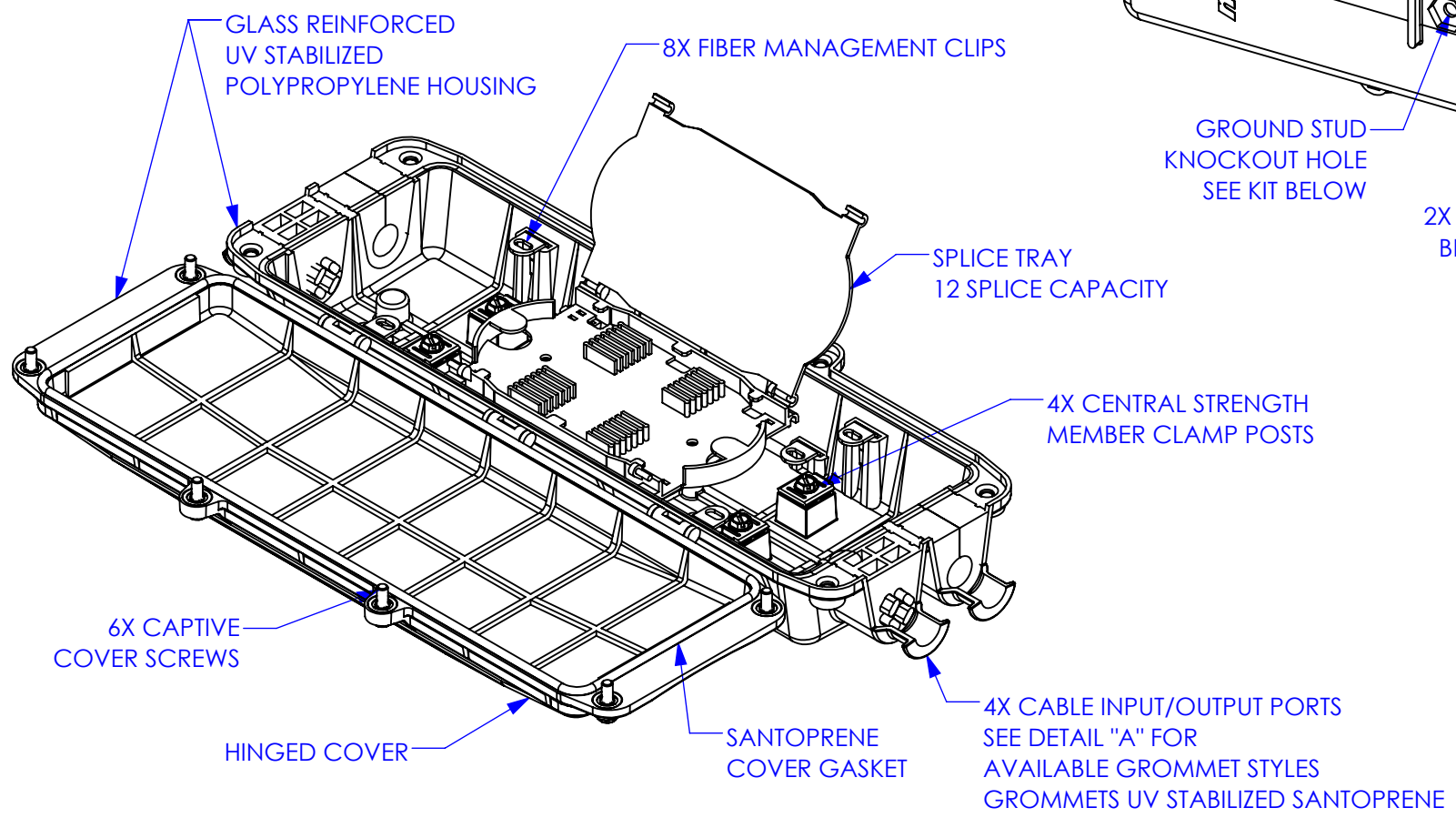
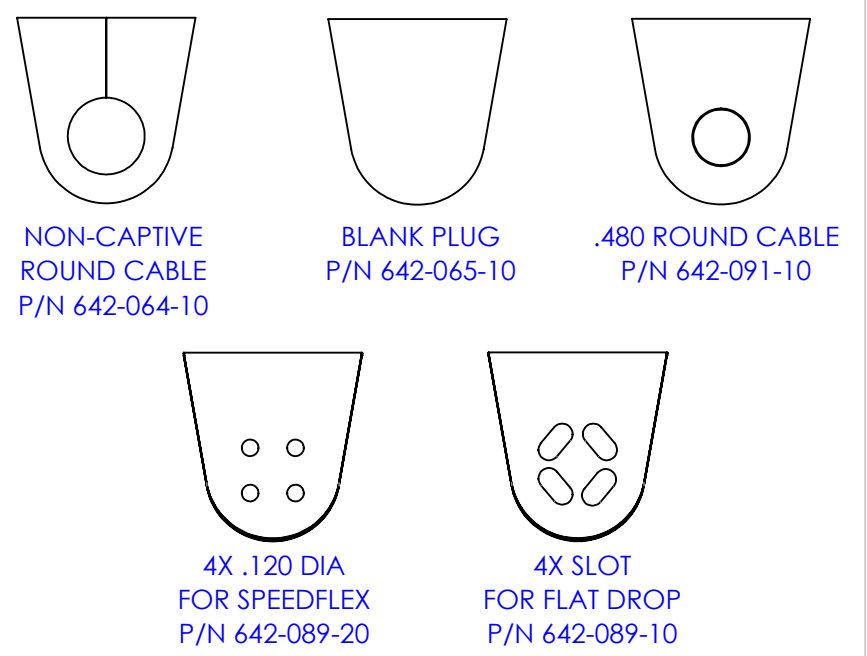
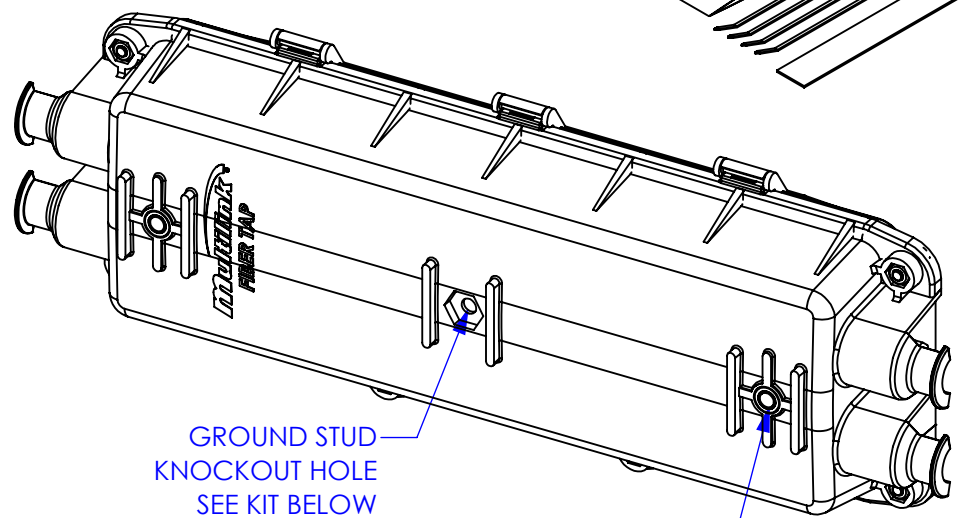
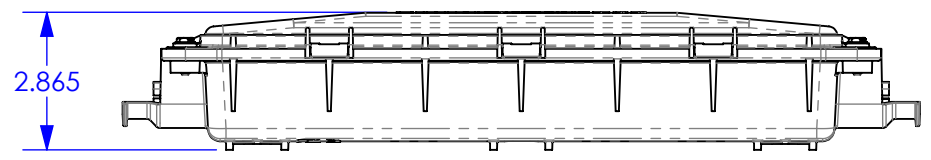
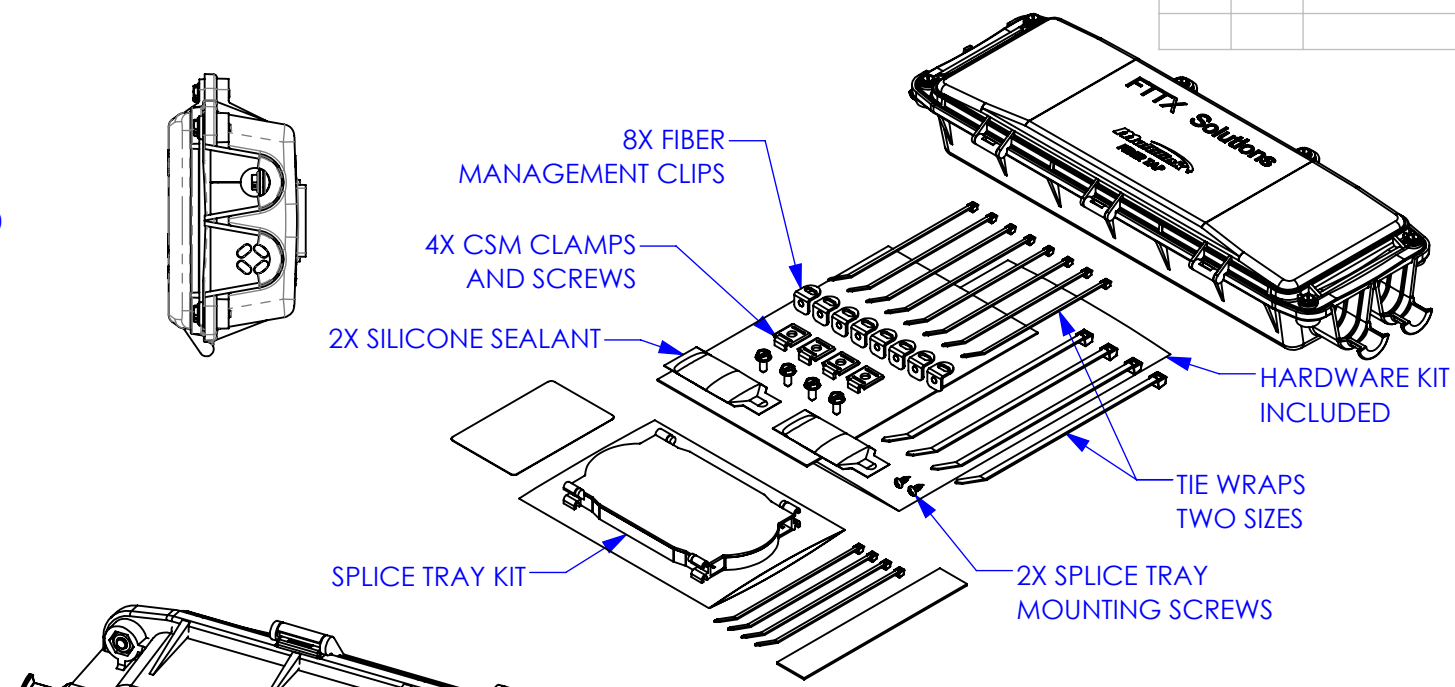
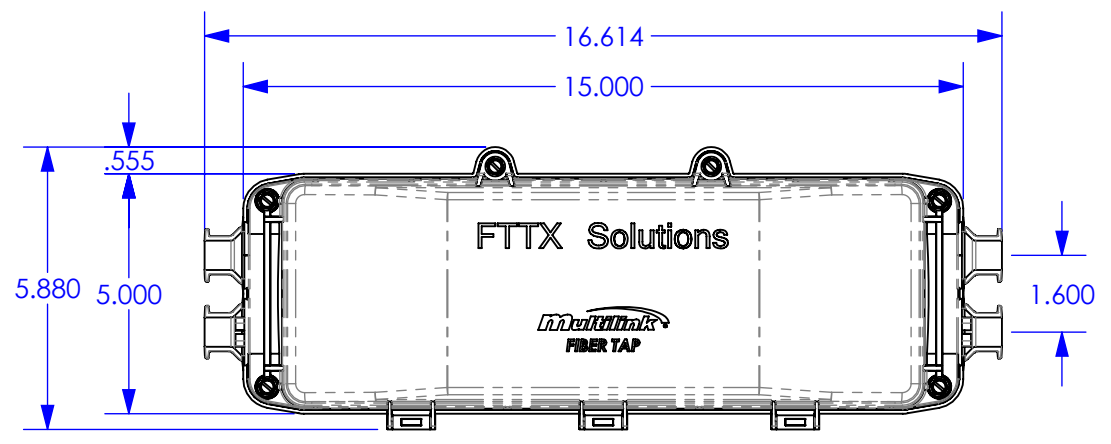


REV.	ECN #	DESCRIPTION OF CHANGE	DATE	BY	MFG ENG
01	N/A	INITIAL RELEASE	11/30/16	SAB	



DETAIL A: AVAILABLE GROMMET STYLES

UNLESS OTHERWISE SPECIFIED DIMENSIONS ARE IN INCHES TOLERANCES ARE:

FRACTIONS: ±1/32 DECIMALS: .XX=±.03 ANGLES: ±1°
 .XXX=±.010

ALL FLATS TO BE ±.005

NO SHARP EDGES OR BURRS ALLOWED

MATERIAL: SEE B.O.M.
 FINISH: BLACK

DO NOT SCALE DRAWING

THIS DOCUMENT AND THE INFORMATION CONTAINED THEREIN ARE CONFIDENTIAL & PROPRIETARY TO MULTILINK AND MAY NOT BE COPIED OR DISCLOSED TO OTHERS WITHOUT A WRITTEN CONSENT FROM MULTILINK. THE INFORMATION IS TO BE PROMPTLY RETURNED TO MULTILINK UPON REQUEST.

DRAWN BY: SAB DATE: 11/30/2016
 CHECKED: DATE:
 MFG ENG: DATE:
 QUALITY ENG: DATE:



SF-LC LOW COUNT NON-CAPT SPLICE ENCL W/1 SPLICE TRAY