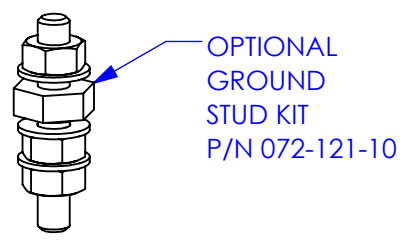
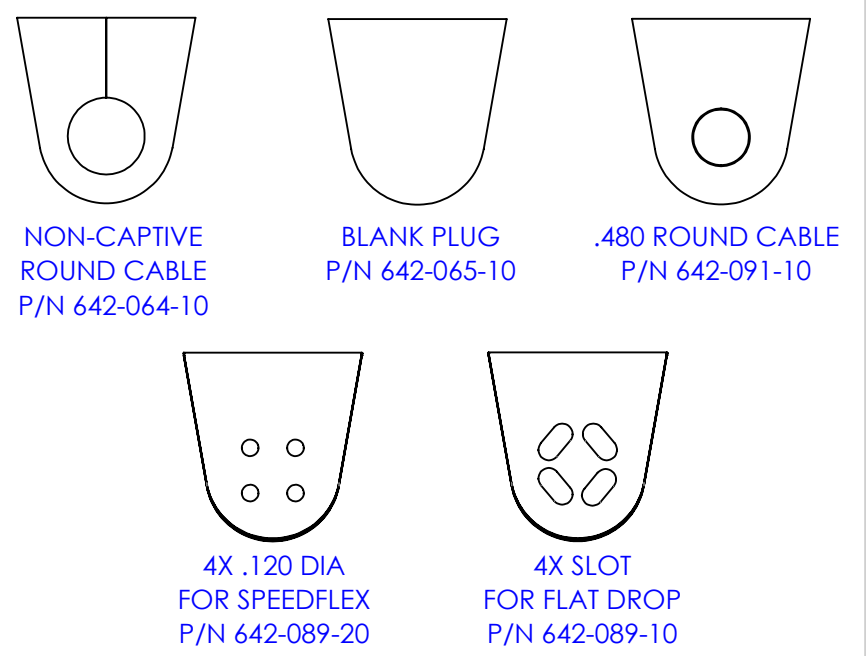
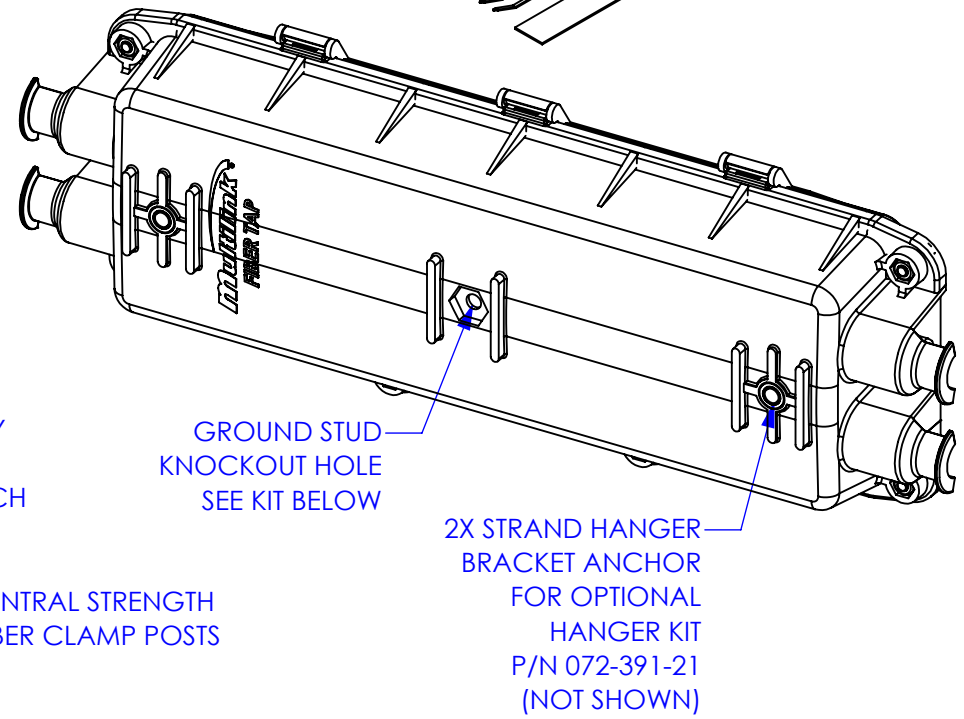
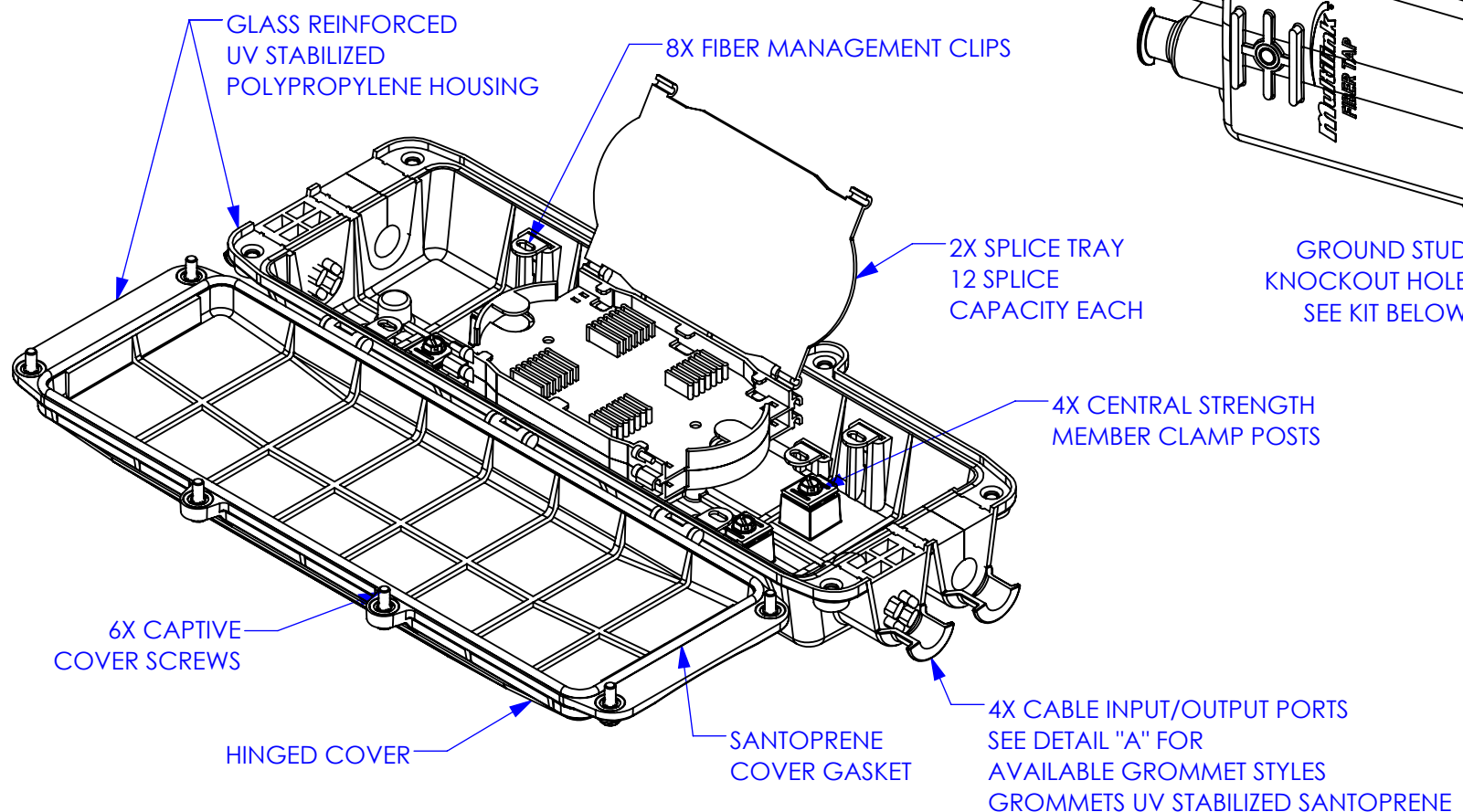
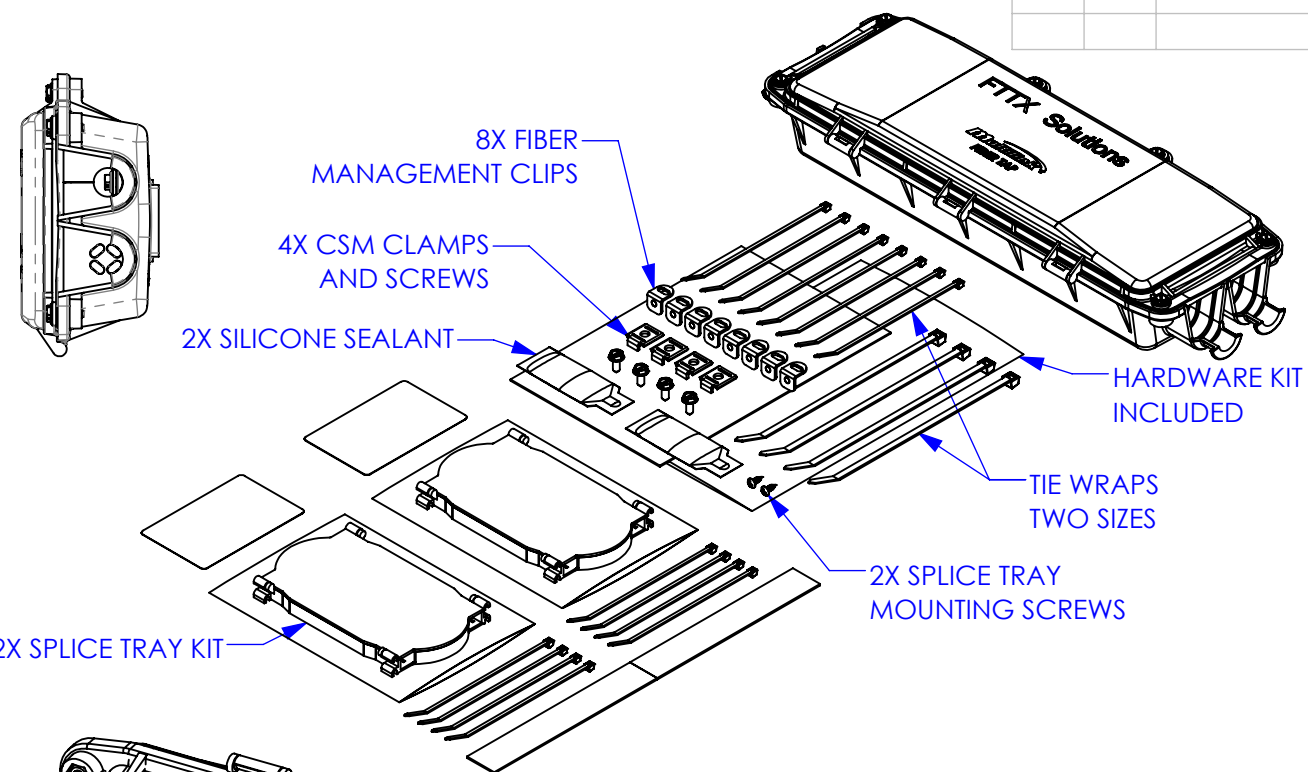
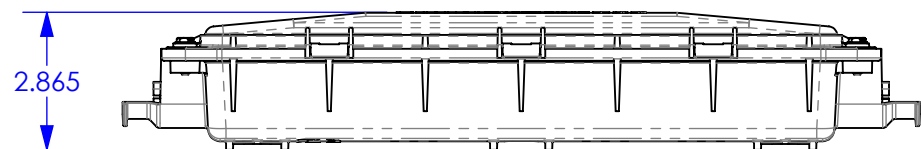
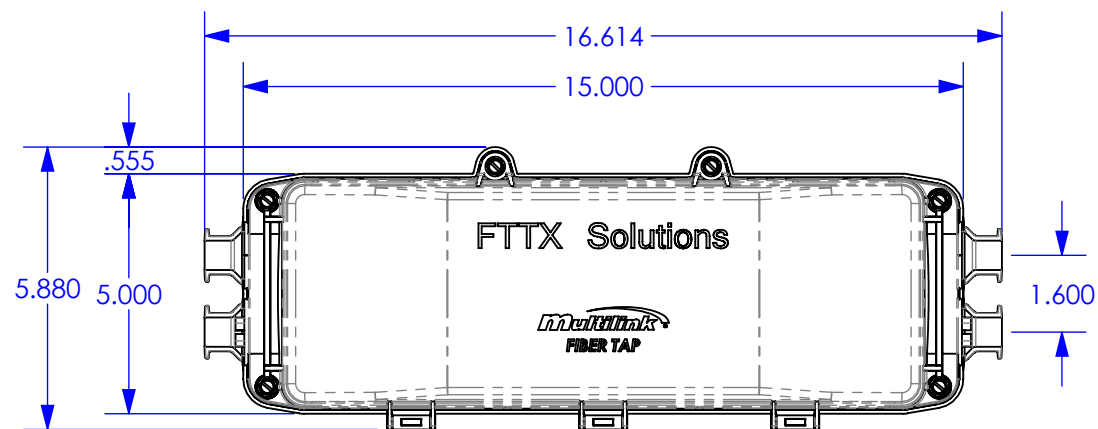


REV.	ECN #	DESCRIPTION OF CHANGE	DATE	BY	MFG ENG
01	N/A	INITIAL RELEASE	11/30/16	SAB	



UNLESS OTHERWISE SPECIFIED DIMENSIONS ARE IN INCHES TOLERANCES ARE:

FRACTIONS: ±1/32	DECIMALS: .XX=±.03 .XXX=±.010	ANGLES: ±1°
------------------	----------------------------------	-------------

ALL FLATS TO BE ±.005

**NO SHARP EDGES OR BURRS ALLOWED**

MATERIAL: SEE B.O.M.  
FINISH: BLACK

DO NOT SCALE DRAWING

THIS DOCUMENT AND THE INFORMATION CONTAINED THEREIN ARE CONFIDENTIAL & PROPRIETARY TO MULTILINK AND MAY NOT BE COPIED OR DISCLOSED TO OTHERS WITHOUT A WRITTEN CONSENT FROM MULTILINK. THE INFORMATION IS TO BE PROMPTLY RETURNED TO MULTILINK UPON REQUEST.

DRAWN BY: SAB	DATE: 11/30/2016
CHECKED:	DATE:
MFG ENG:	DATE:
QUALITY ENG:	DATE:

**Multilink**

SF-LC LOW COUNT NON-CAPT SPLICE ENCL W/2 SPLICE TRAYS

SIZE B	DWG. NO. 020-305-30REF	REV. 01
SCALE: 1:4	CAD FILE: 020-305-30REF	SHEET: 1 OF 1