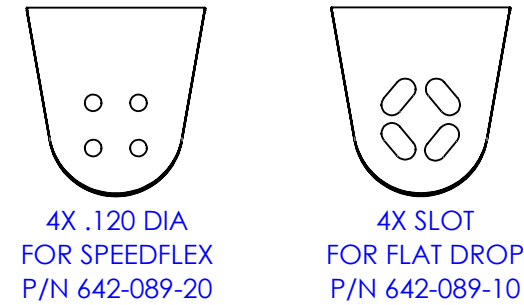
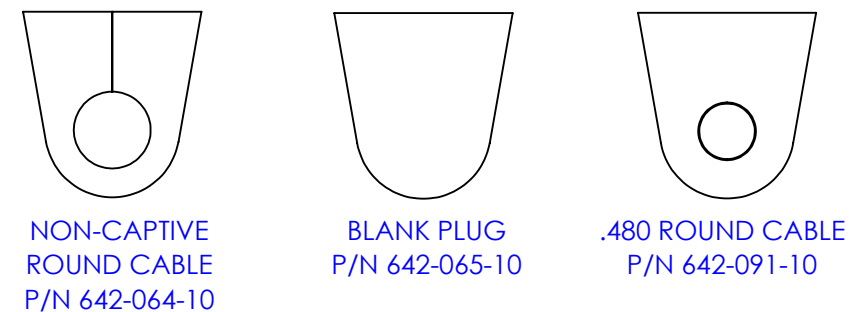
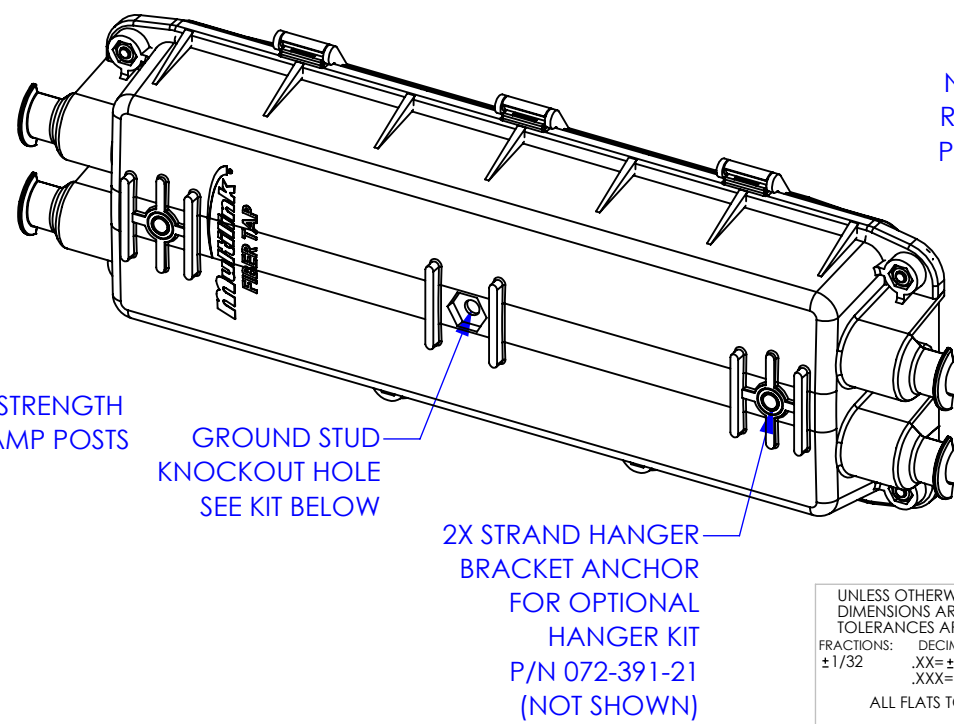
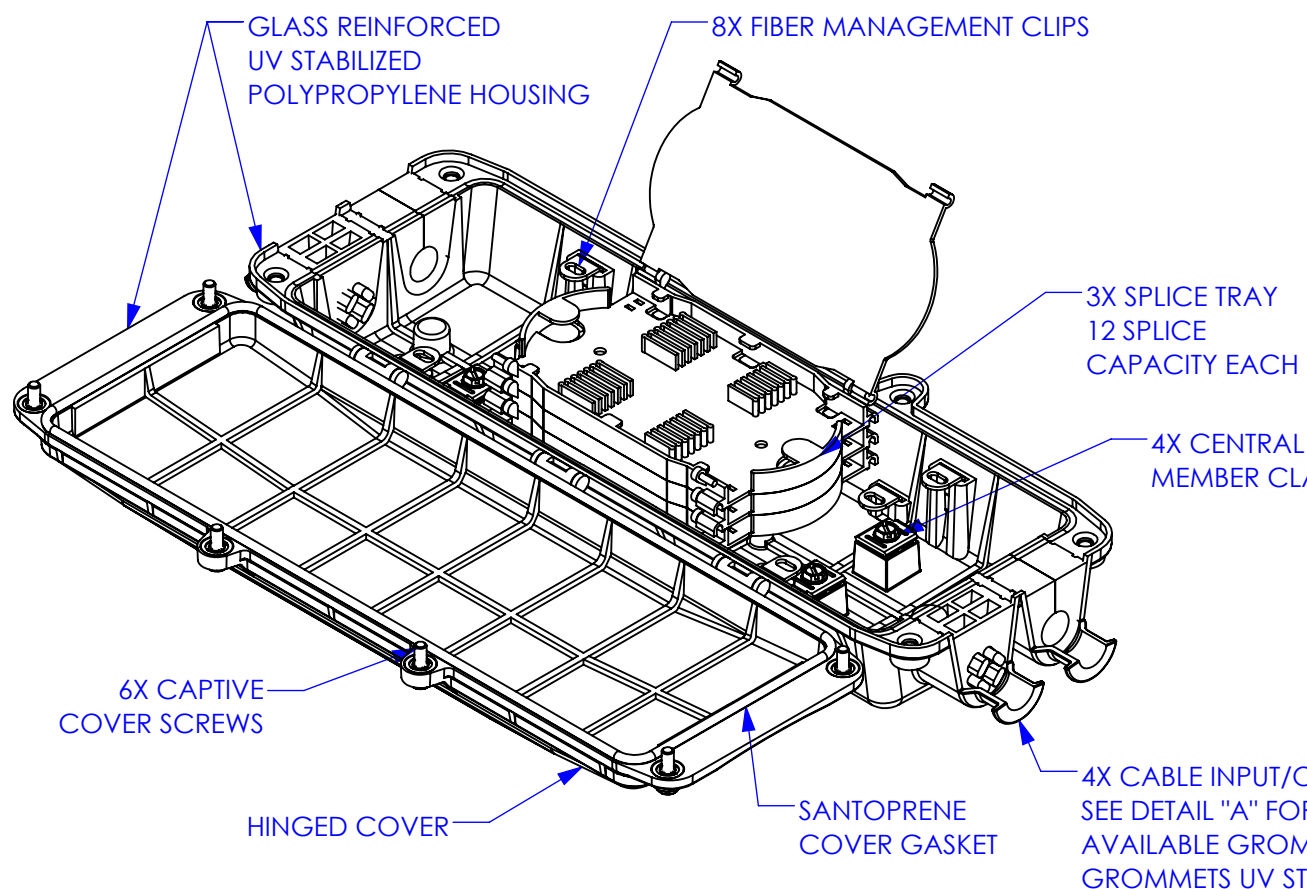
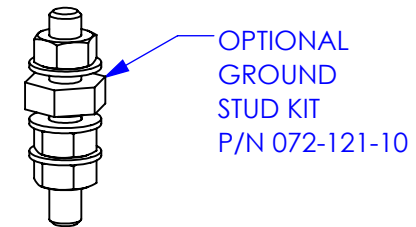
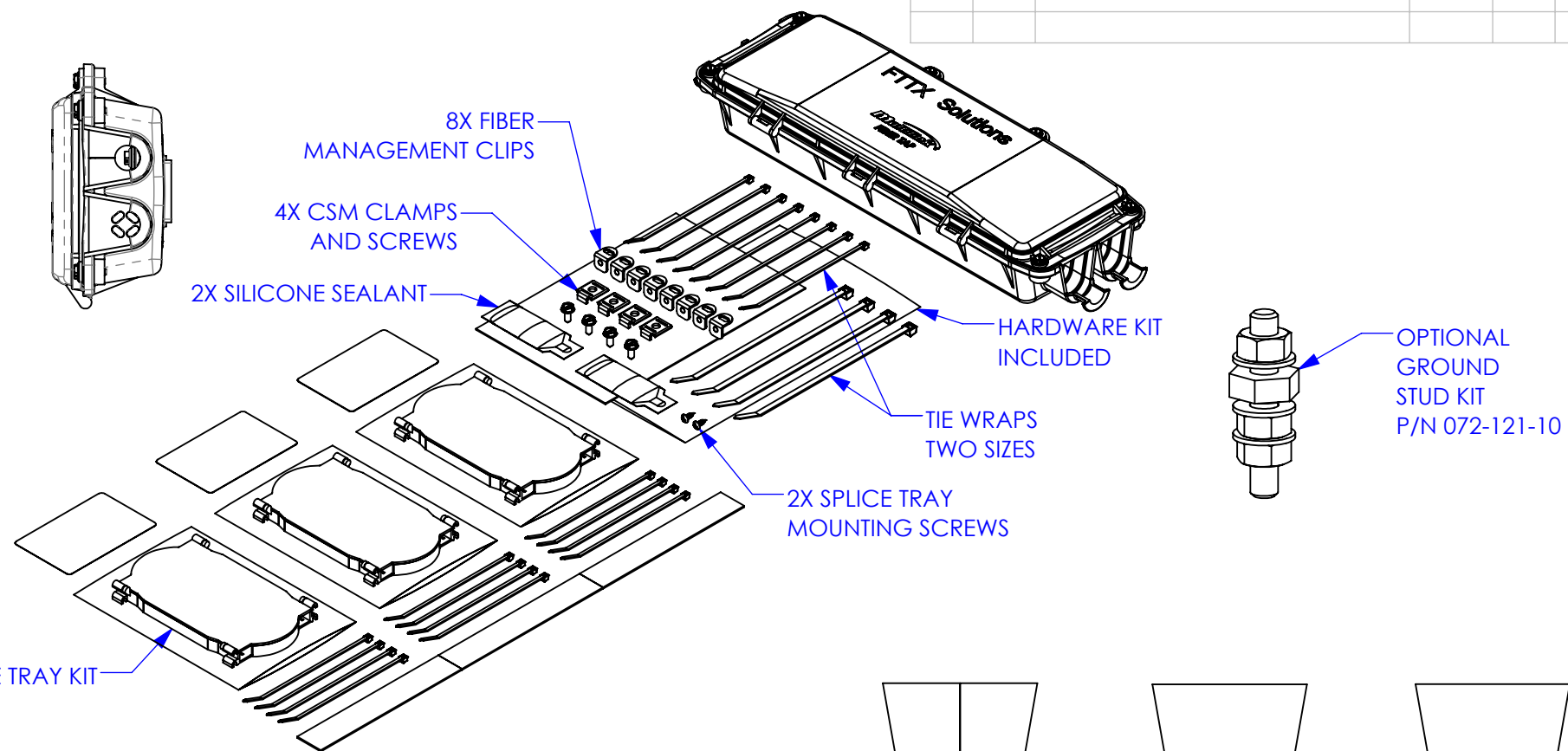
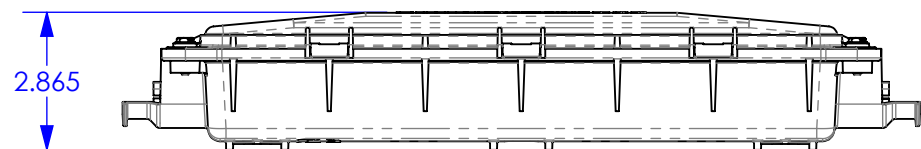
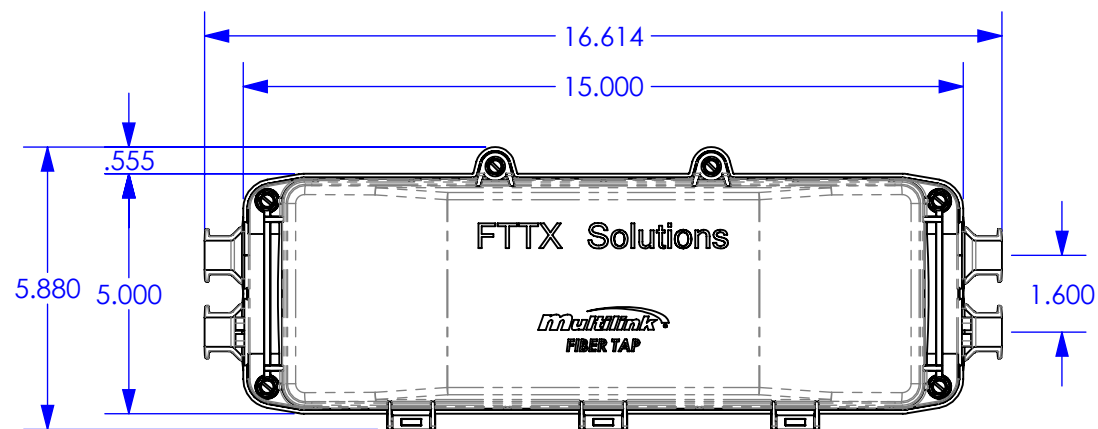


REV.	ECN #	DESCRIPTION OF CHANGE	DATE	BY	MFG ENG
01	N/A	INITIAL RELEASE	11/30/16	SAB	



DETAIL A: AVAILABLE GROMMET STYLES

UNLESS OTHERWISE SPECIFIED DIMENSIONS ARE IN INCHES TOLERANCES ARE:
 FRACTIONS: DECIMALS: ANGLES:
 ±1/32 .XX=±.03 ±1°
 .XXX=±.010
 ALL FLATS TO BE ±.005
NO SHARP EDGES OR BURRS ALLOWED
 MATERIAL: SEE B.O.M.
 FINISH: BLACK
 DO NOT SCALE DRAWING

THIS DOCUMENT AND THE INFORMATION CONTAINED THEREIN ARE CONFIDENTIAL & PROPRIETARY TO MULTILINK AND MAY NOT BE COPIED OR DISCLOSED TO OTHERS WITHOUT A WRITTEN CONSENT FROM MULTILINK. THE INFORMATION IS TO BE PROMPTLY RETURNED TO MULTILINK UPON REQUEST.

DRAWN BY: **SAB** DATE: **11/30/2016**
 CHECKED: DATE:
 MFG ENG: DATE:
 QUALITY ENG: DATE:

Multilink

SF-LC LOW COUNT NON-CAPT SPLICE ENCL W/3 SPLICE TRAYS

SIZE **B** DWG. NO. **020-305-40REF** REV. **01**
 SCALE: 1:4 CAD FILE: 020-305-40REF SHEET: 1 OF 1