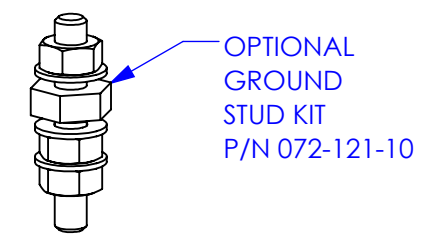
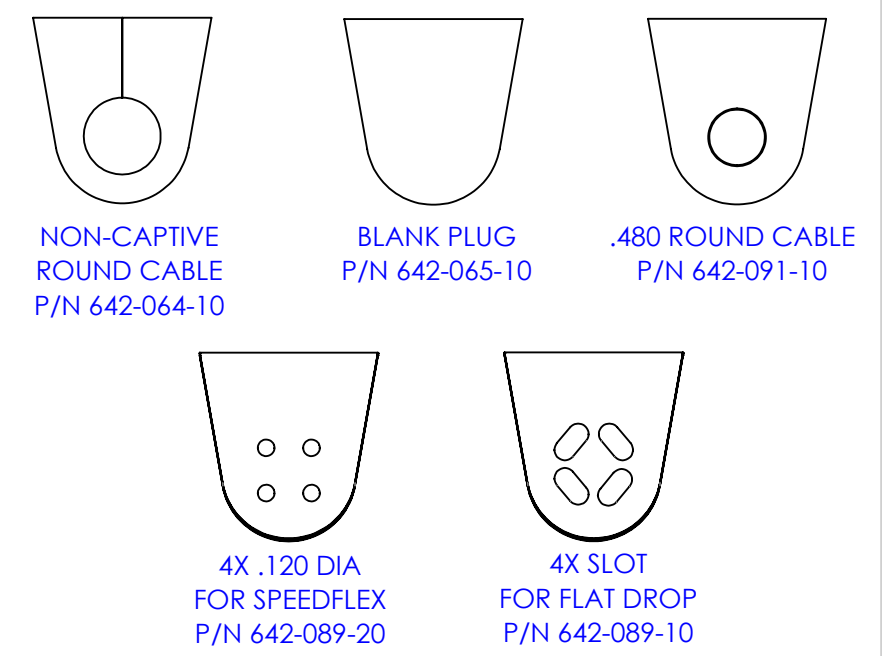
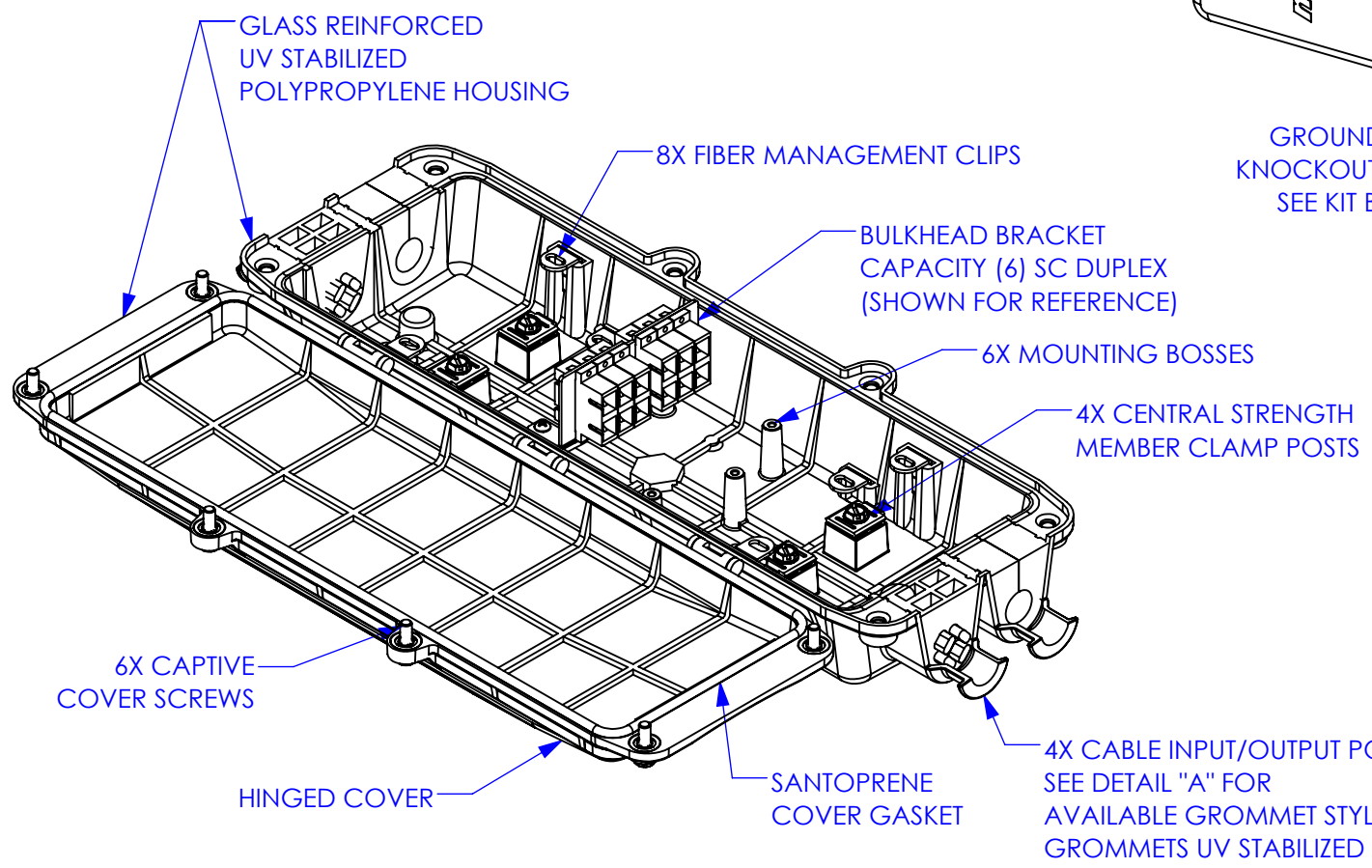
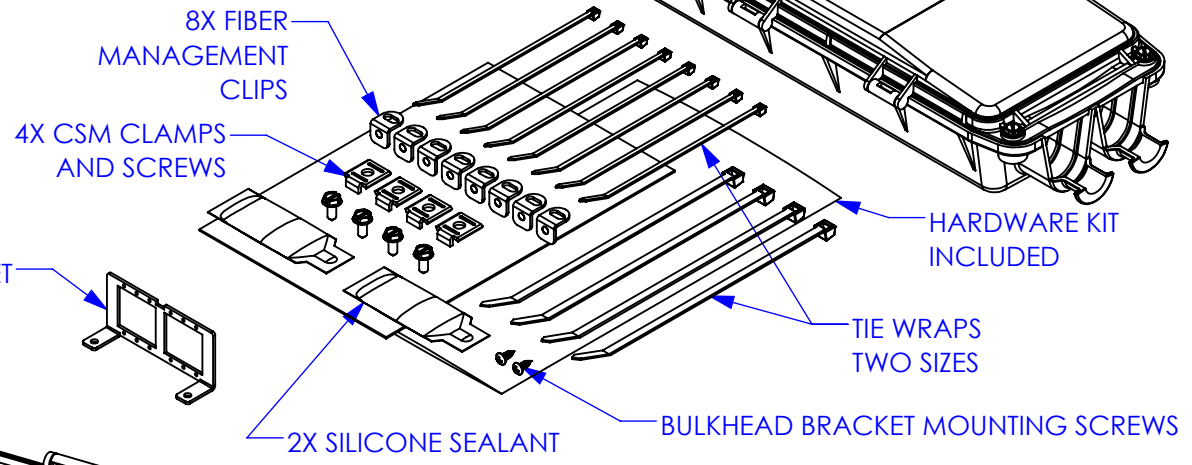
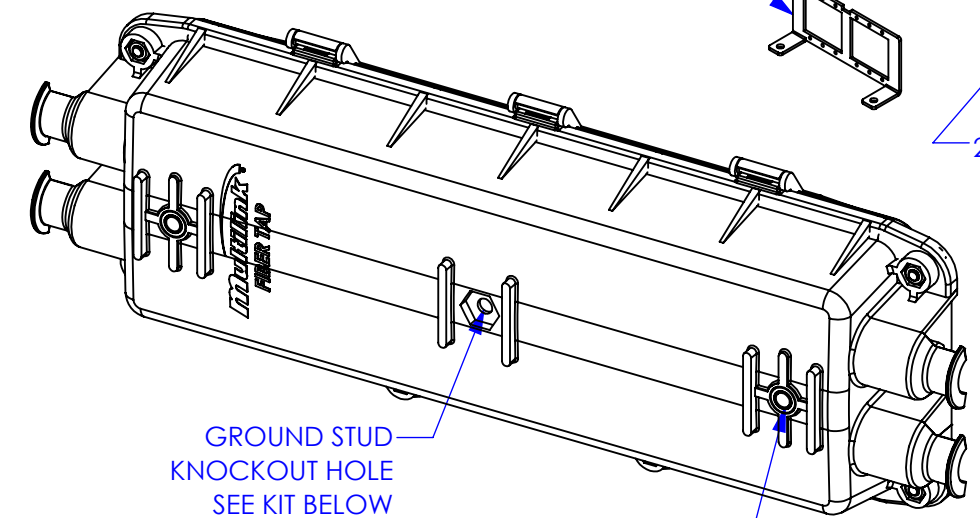
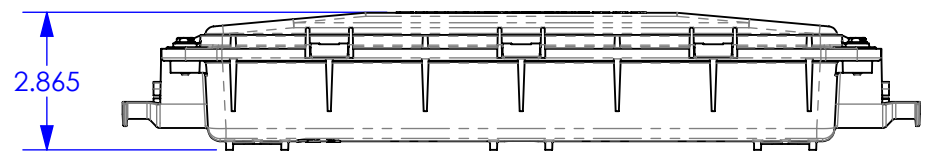
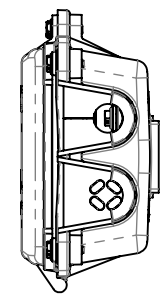
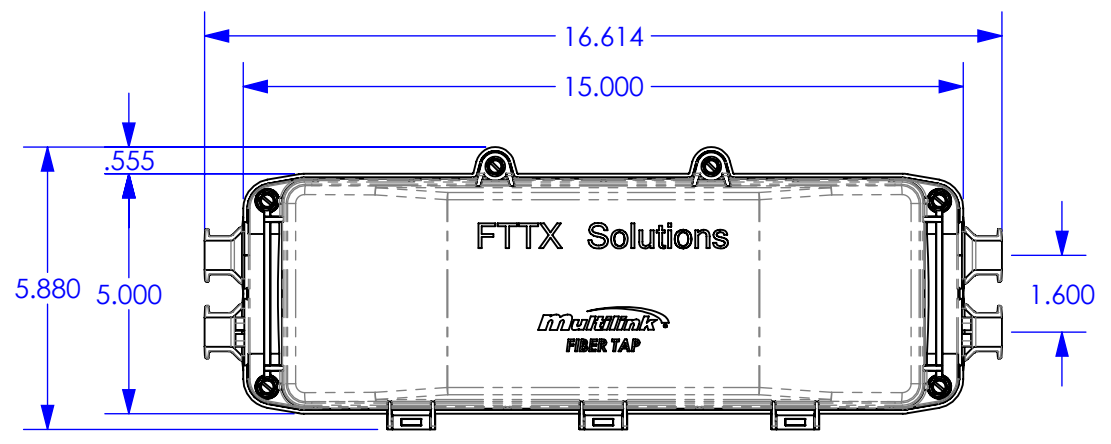


REV.	ECN #	DESCRIPTION OF CHANGE	DATE	BY	MFG ENG
01	N/A	INITIAL RELEASE	12/08/16	SAB	



UNLESS OTHERWISE SPECIFIED DIMENSIONS ARE IN INCHES TOLERANCES ARE:
 FRACTIONS: ±1/32 DECIMALS: .XX=±.03 .XXX=±.010 ANGLES: ±1°
 ALL FLATS TO BE ±.005
NO SHARP EDGES OR BURRS ALLOWED
 MATERIAL: SEE B.O.M. FINISH: BLACK
 DO NOT SCALE DRAWING

THIS DOCUMENT AND THE INFORMATION CONTAINED HEREIN ARE CONFIDENTIAL & PROPRIETARY TO MULTILINK AND MAY NOT BE COPIED OR DISCLOSED TO OTHERS WITHOUT A WRITTEN CONSENT FROM MULTILINK. THE INFORMATION IS TO BE PROMPTLY RETURNED TO MULTILINK UPON REQUEST.

DRAWN BY: SAB DATE: 12/08/2016
 CHECKED: DATE:
 MFG ENG: DATE:
 QUALITY ENG: DATE:

Multilink

SF-LC LOW COUNT NON-CAPT SPlice ENCL W/BULKHEAD BRKT

SIZE **B** DWG. NO. 020-305-50REF REV. 01
 SCALE: 1:4 CAD FILE: 020-305-50REF SHEET: 1 OF 1