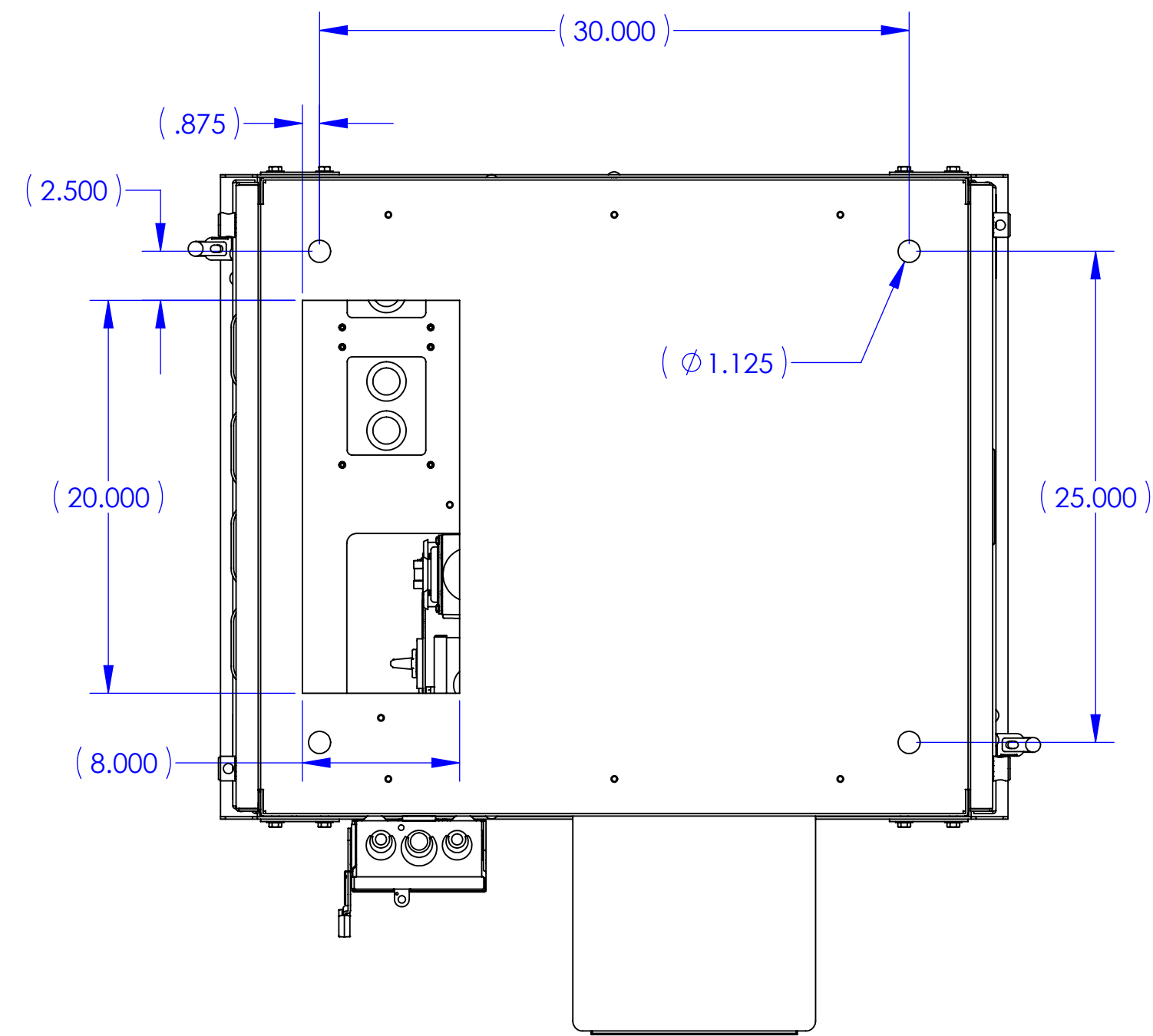
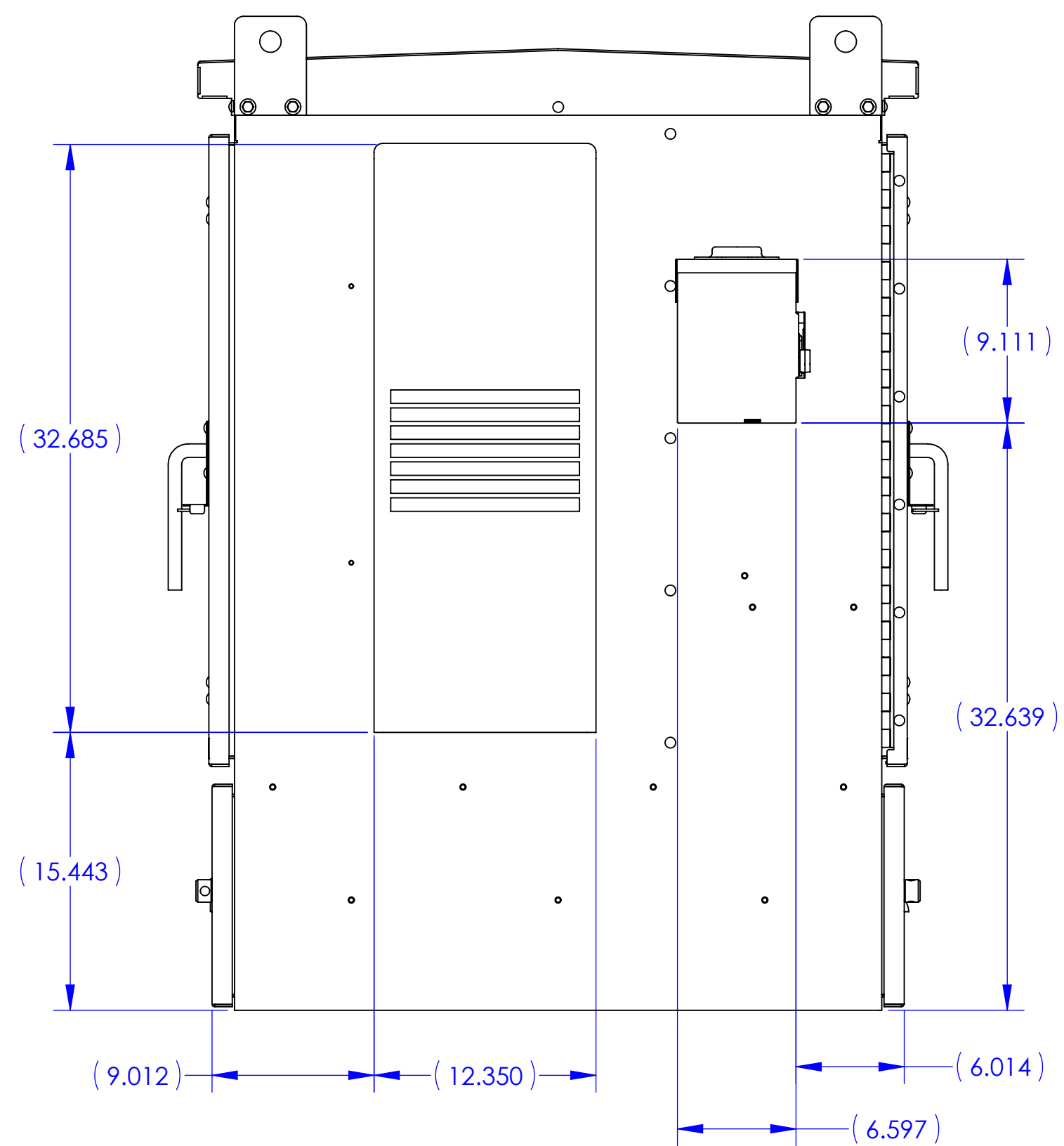
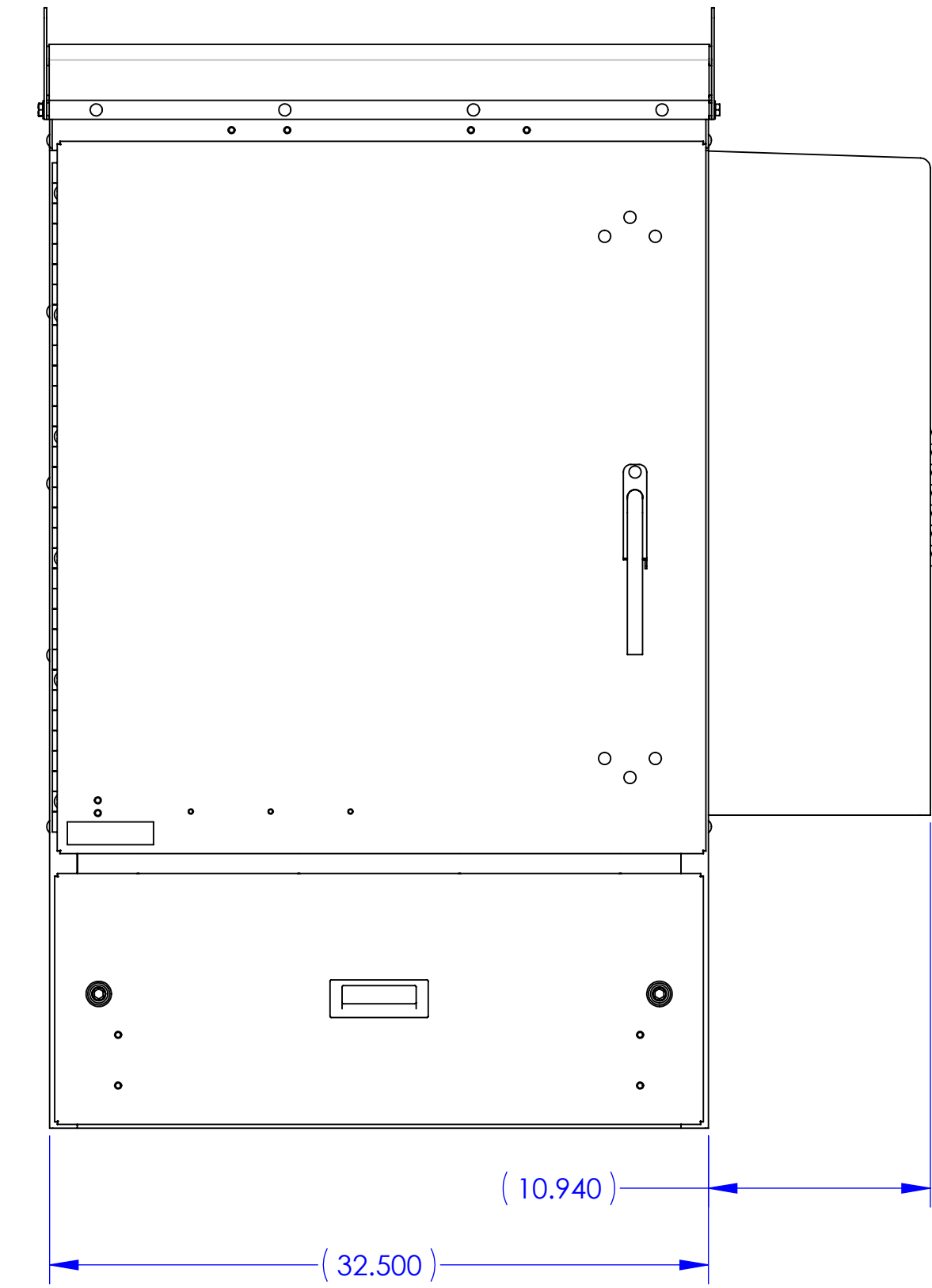
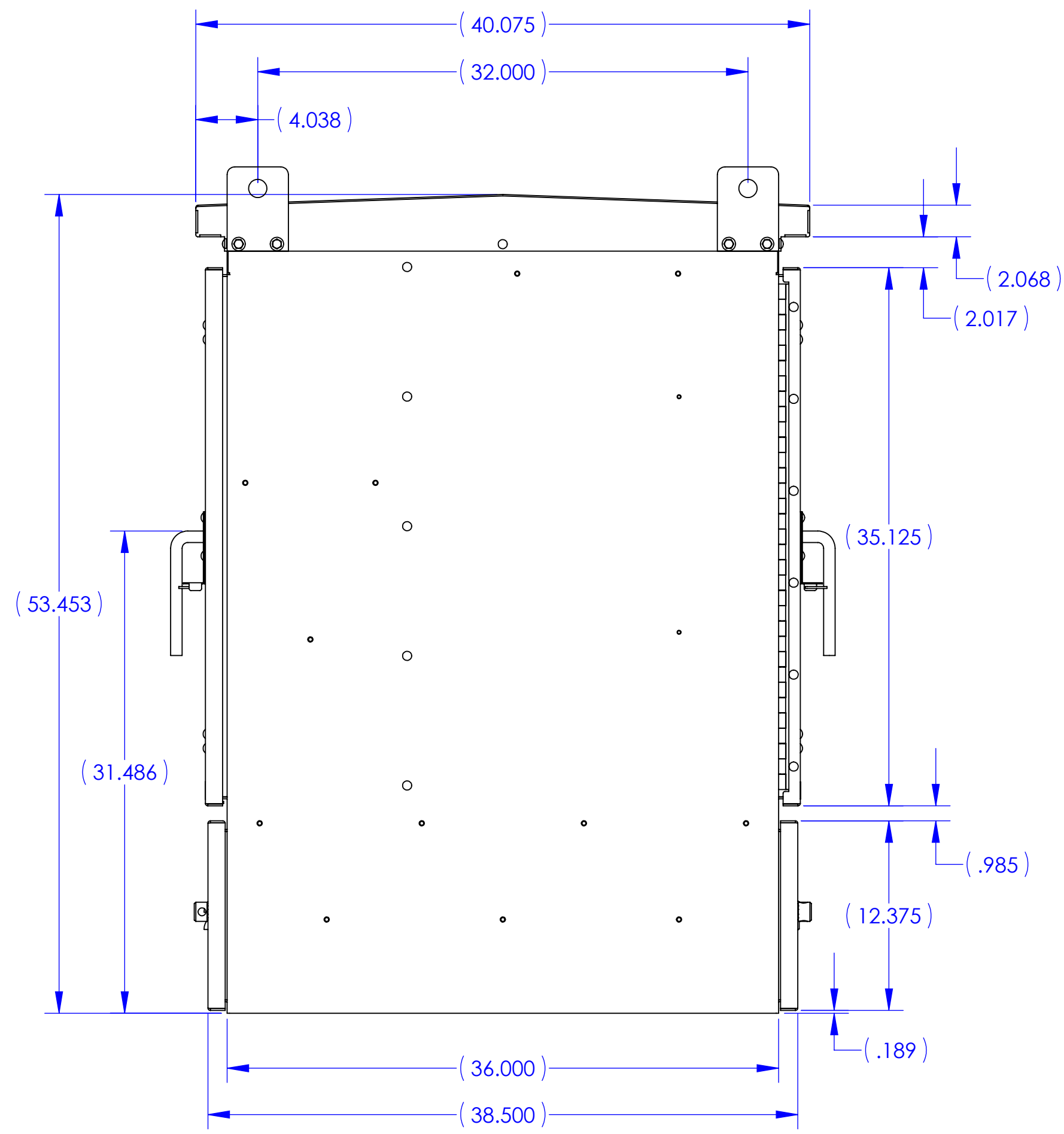
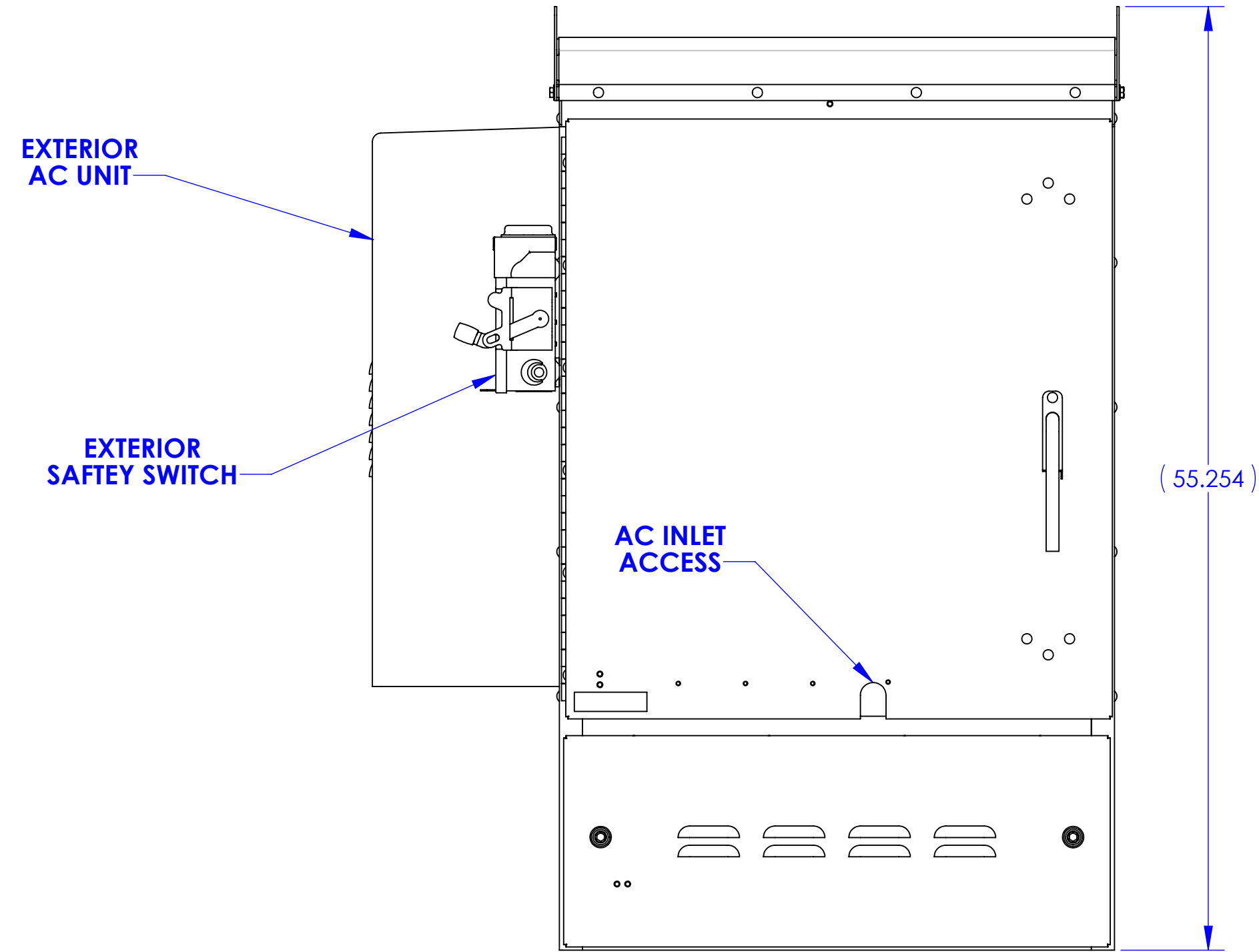
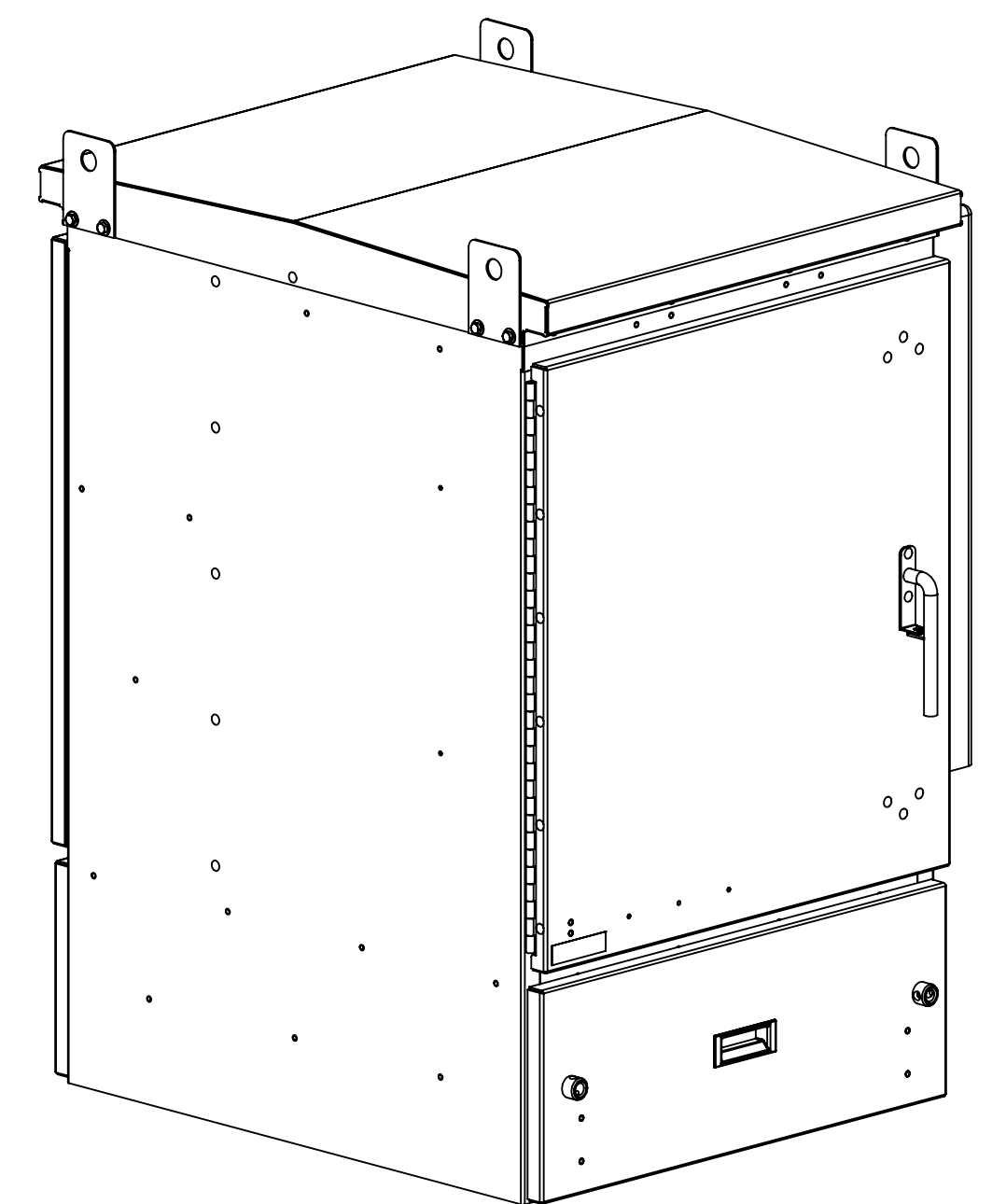


REV.	ECH #	DESCRIPTION OF CHANGE	DATE	BY	MFG ENG
1A	N/A	PRELIMINARY RELEASE	07/14/05	L.P.K.	
01	N/A	INITIAL RELEASE			



**MOUNTING CONFIG.  
WITH POWER/FIBER  
ACCESS CUTOUT**



**Preliminary:**  
**Date:**  
**Engineer:**

UNLESS OTHERWISE SPECIFIED DIMENSIONS ARE IN INCHES TOLERANCES ARE: FRACTIONS: DECIMALS: ANGLES: 51°		THIS DOCUMENT AND THE INFORMATION CONTAINED HEREIN ARE CONFIDENTIAL & PROPRIETARY TO MULTILINK AND MAY NOT BE COPIED OR DISCLOSED TO OTHERS WITHOUT THE WRITTEN CONSENT FROM MULTILINK. THE INFORMATION IS TO BE PROTECTED AND RETURNED TO MULTILINK UPON REQUEST.	
ALL FLATS TO BE ±.005		NO SHARP EDGES OR BURRS ALLOWED	
MATERIAL:	SEE B.O.M.	CHECKED:	L.P.K.
FINISH:	ALUMINUM BEIGE	DATE:	07/14/2005
DO NOT SCALE DRAWING	QUALITY ENG:	DATE:	

**Multilink**

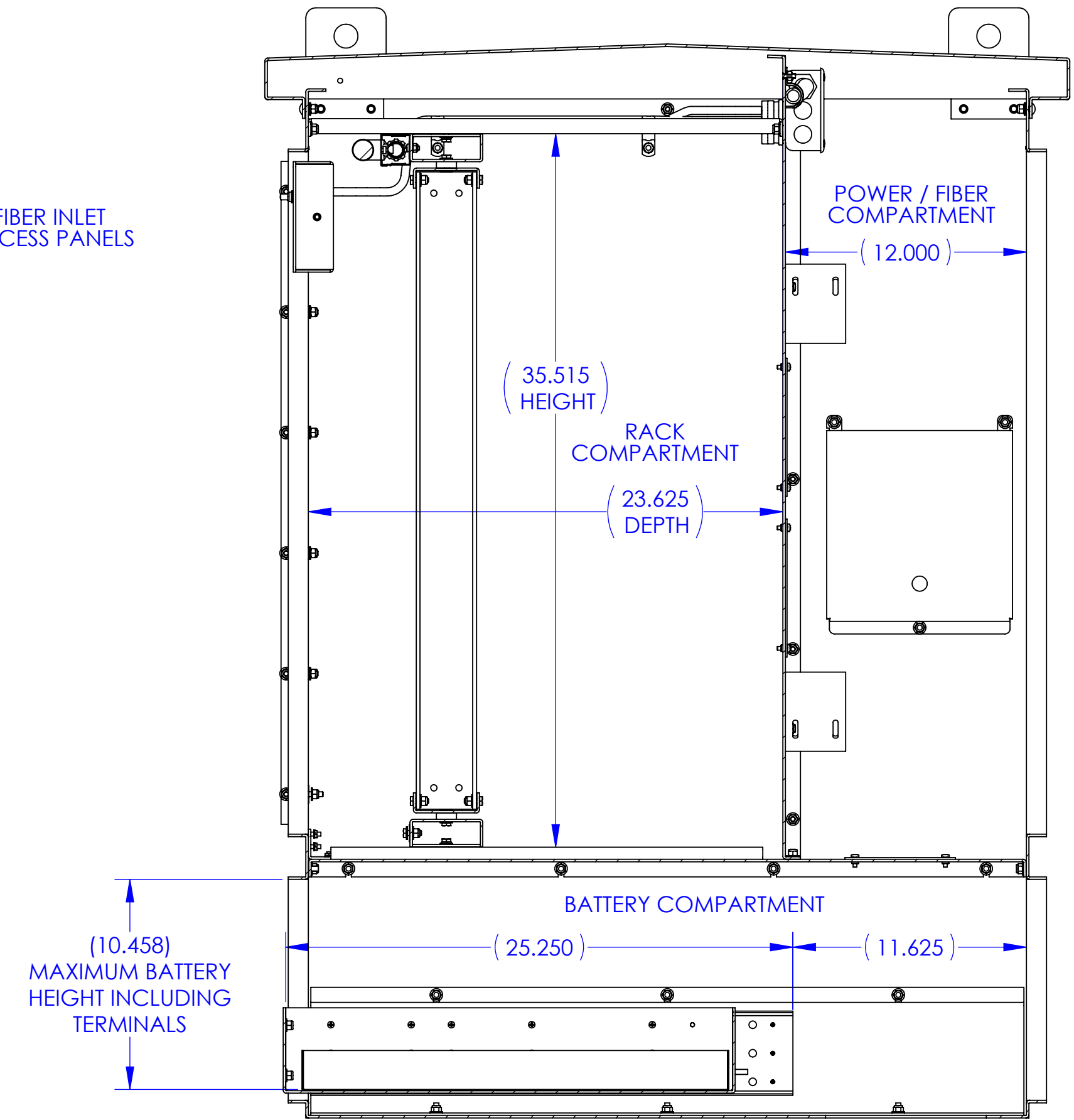
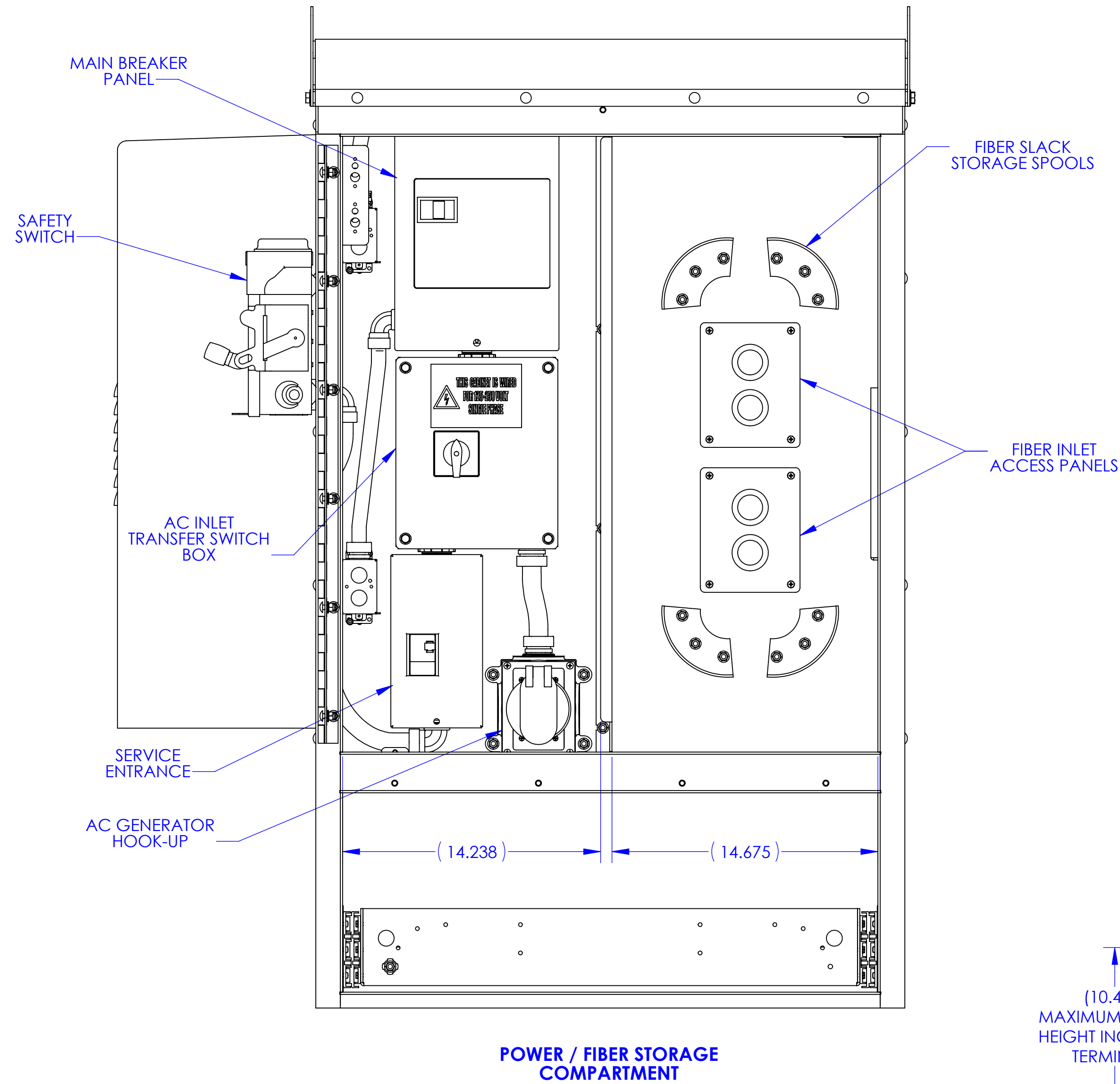
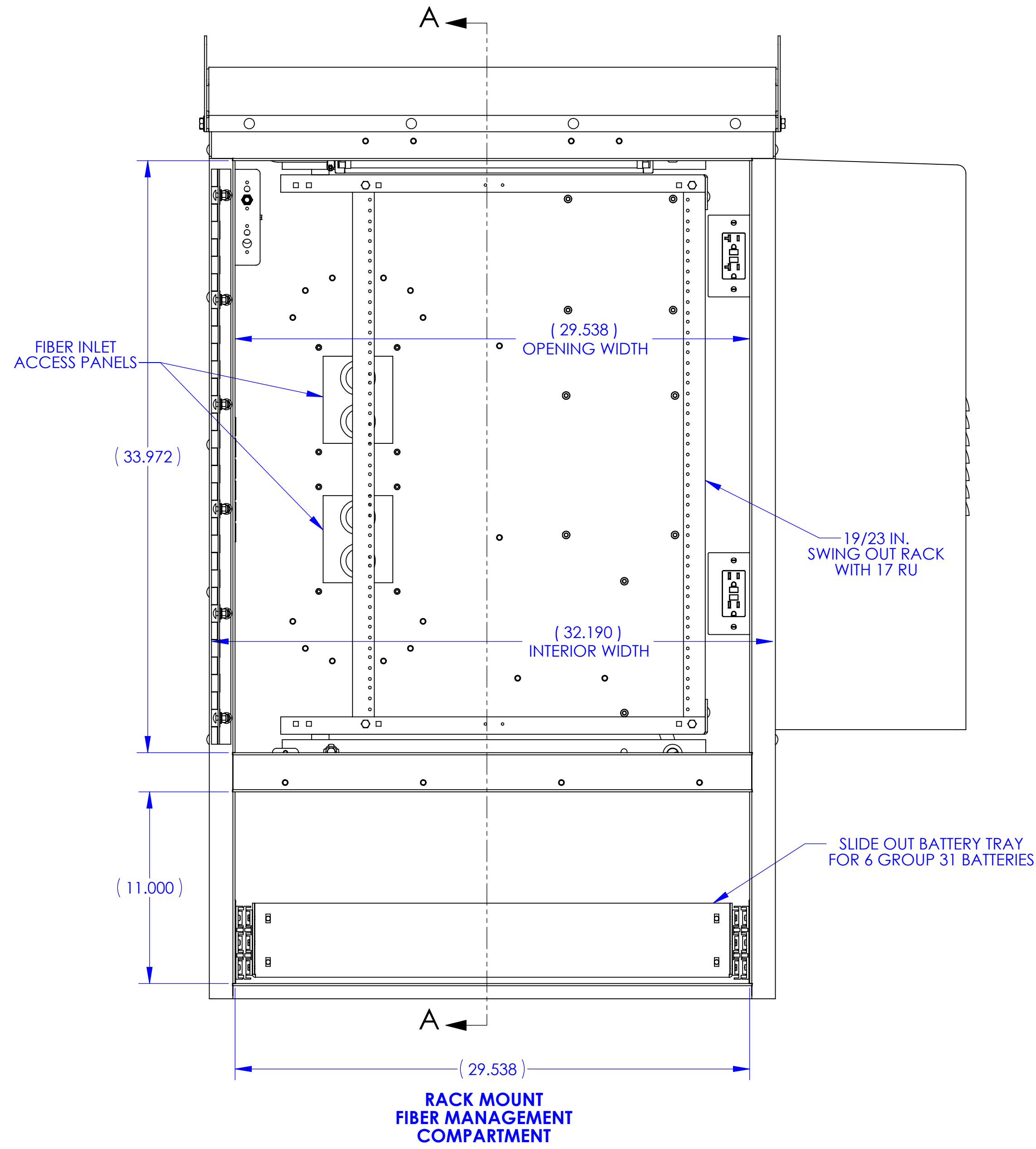
OTN MINI 1 BAY BEIGE  
4000 BTU EXTERNAL A/C  
ASSEMBLY

SCALE: 1:1.5 (CAD FILE: 030-123-REF) SHEET: 1 OF 2

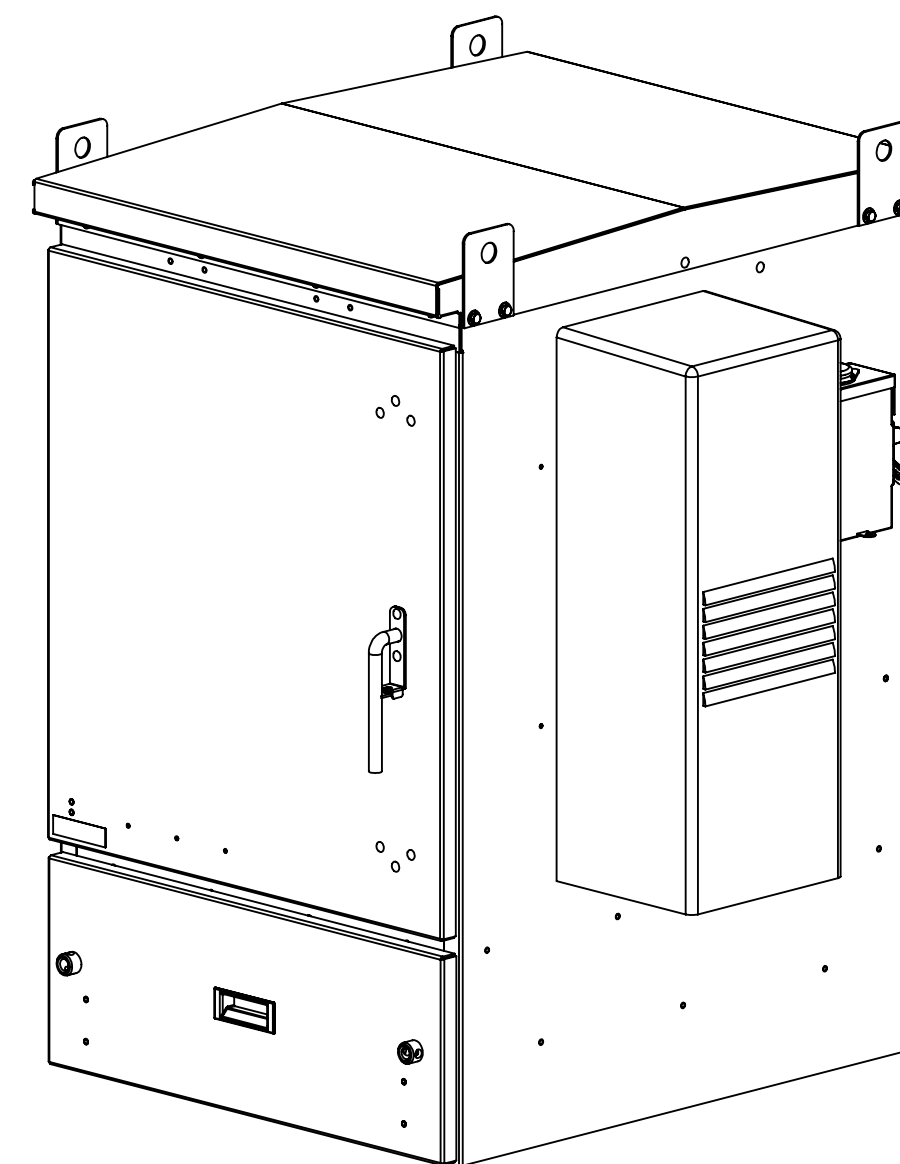
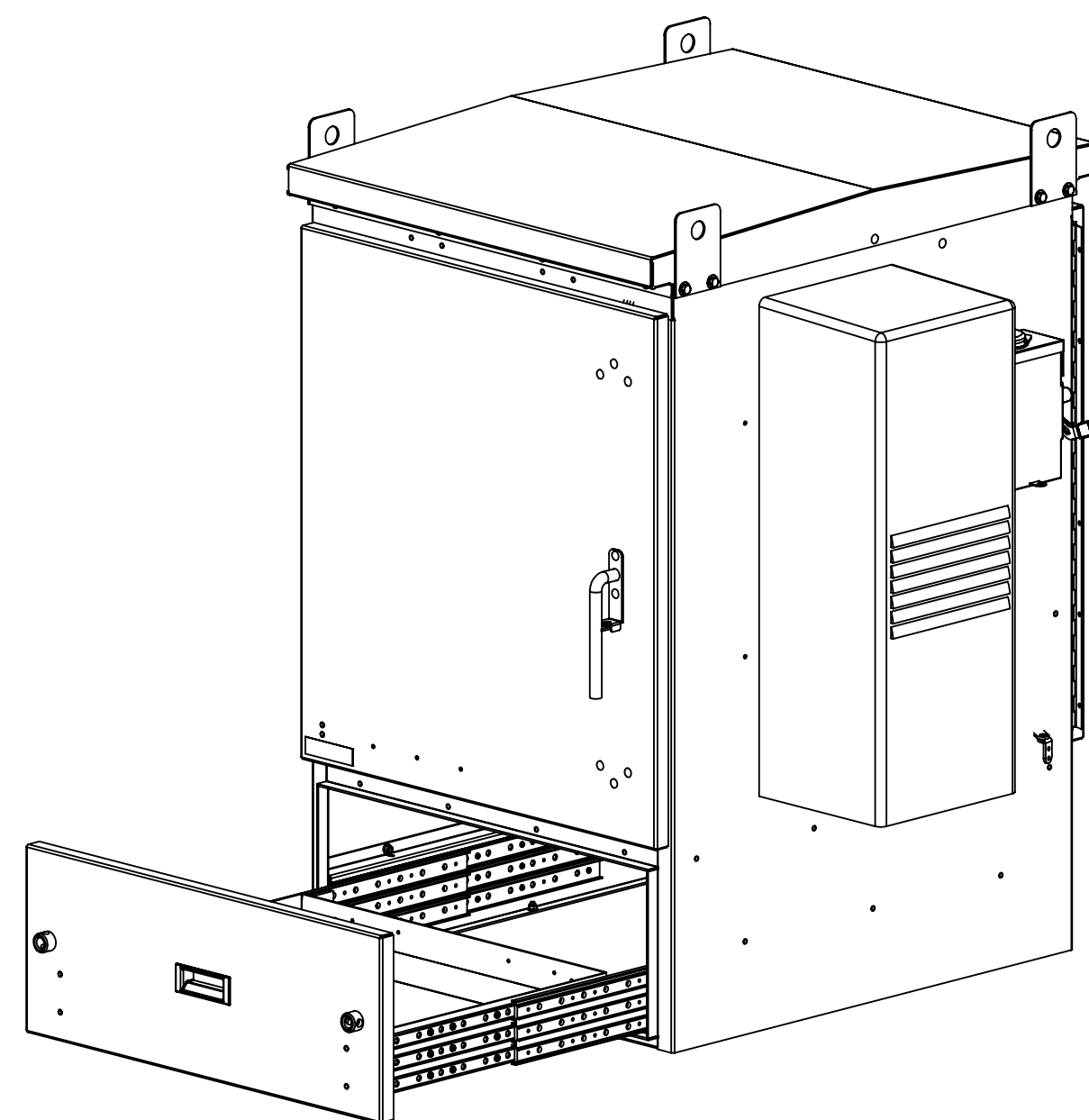
PRELIMINARY REVISIONS:  
1A) 07/14/05 - LK - CREATED NEW PART DWG.

030-123-REF

REV.	ECH #	DESCRIPTION OF CHANGE	DATE	BY	MFG ENG
1A	N/A	PRELIMINARY RELEASE	07/14/05	L.P.K.	
01	N/A	INITIAL RELEASE			



SECTION A-A  
SCALE 1 : 6



**Preliminary:**  
**Date:**  
**Engineer:**

UNLESS OTHERWISE SPECIFIED  
DIMENSIONS ARE IN INCHES  
TOLERANCES ARE:  
FRACTIONS: DECIMALS: ANGLES:  
±1/32 .000 ±.010 51°  
ALL FLATS TO BE ±.005  
NO SHARP EDGES OR  
BURRS ALLOWED  
MATERIAL: SEE B.O.M.  
FINISH: ALMOND BEIGE  
DO NOT SCALE DRAWING

THIS DOCUMENT AND THE INFORMATION  
CONTAINED THEREIN ARE CONFIDENTIAL  
& PROPRIETARY TO MULTILINK AND MAY  
NOT BE COPIED OR DISCLOSED TO OTHERS  
WITHOUT A WRITTEN CONSENT FROM  
MULTILINK. THE INFORMATION IS TO BE  
PROPERLY RETURNED TO MULTILINK UPON  
REQUEST.  
DRAWN BY: L.P.K. DATE: 07/14/2005  
CHECKED BY: DATE:  
MFG ENG: DATE:  
QUALITY ENG: DATE:

**Multilink**

OTN MINI 1 BAY BEIGE  
4000 BTU EXTERNAL A/C  
ASSEMBLY

DWG. NO. 030-123-REF  
SCALE: 1:5  
REV. 1C  
SHEET 2 OF 2