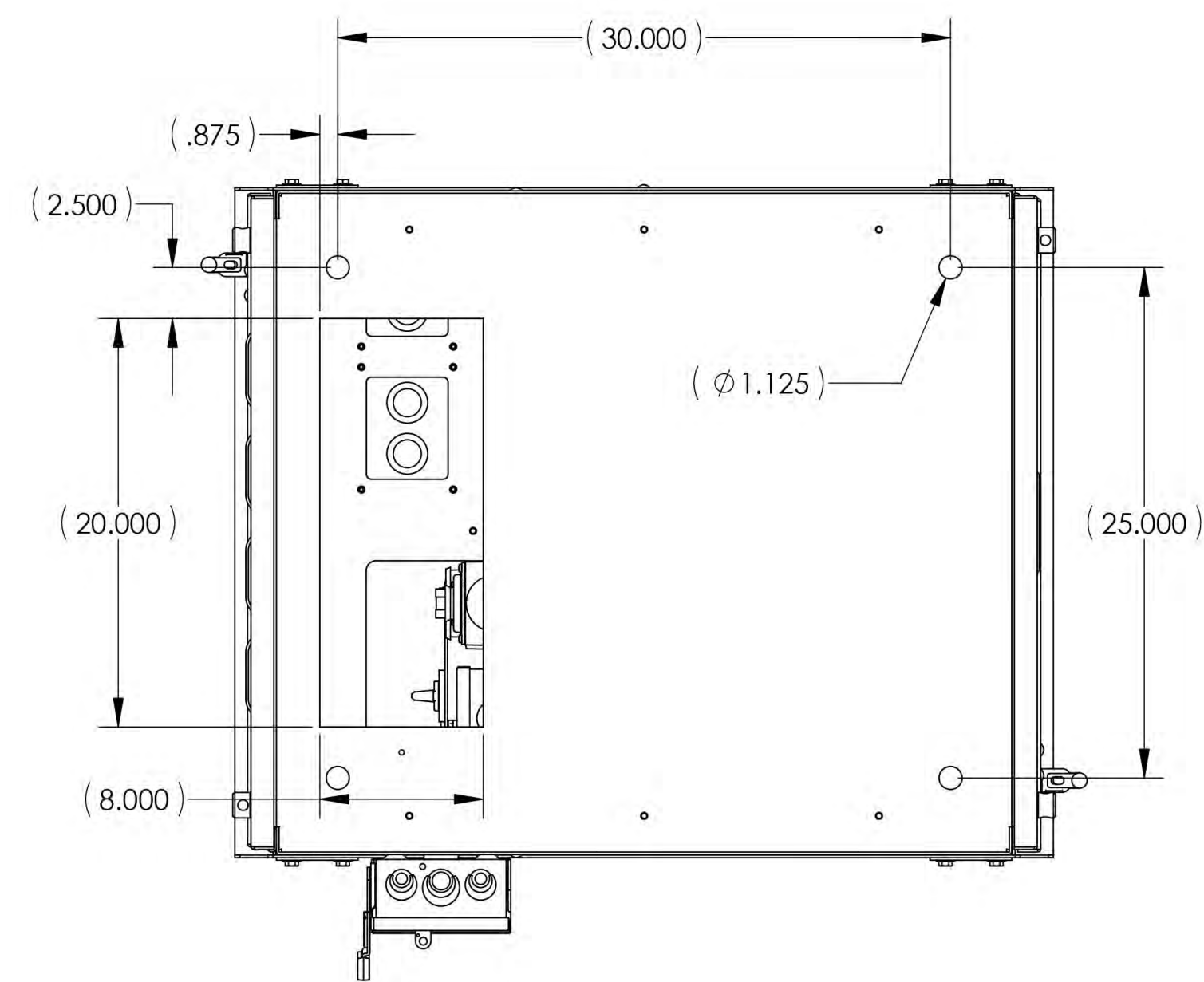
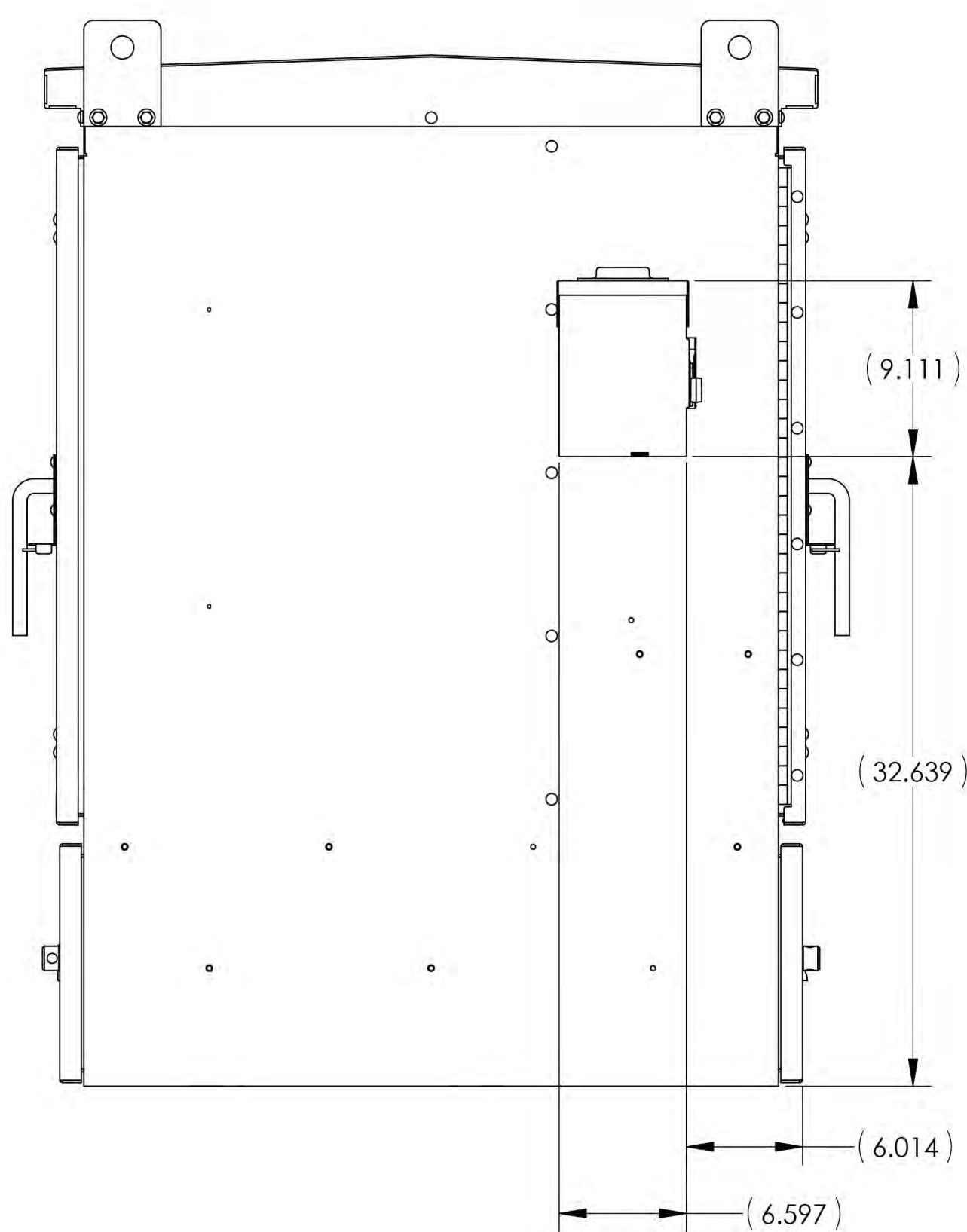
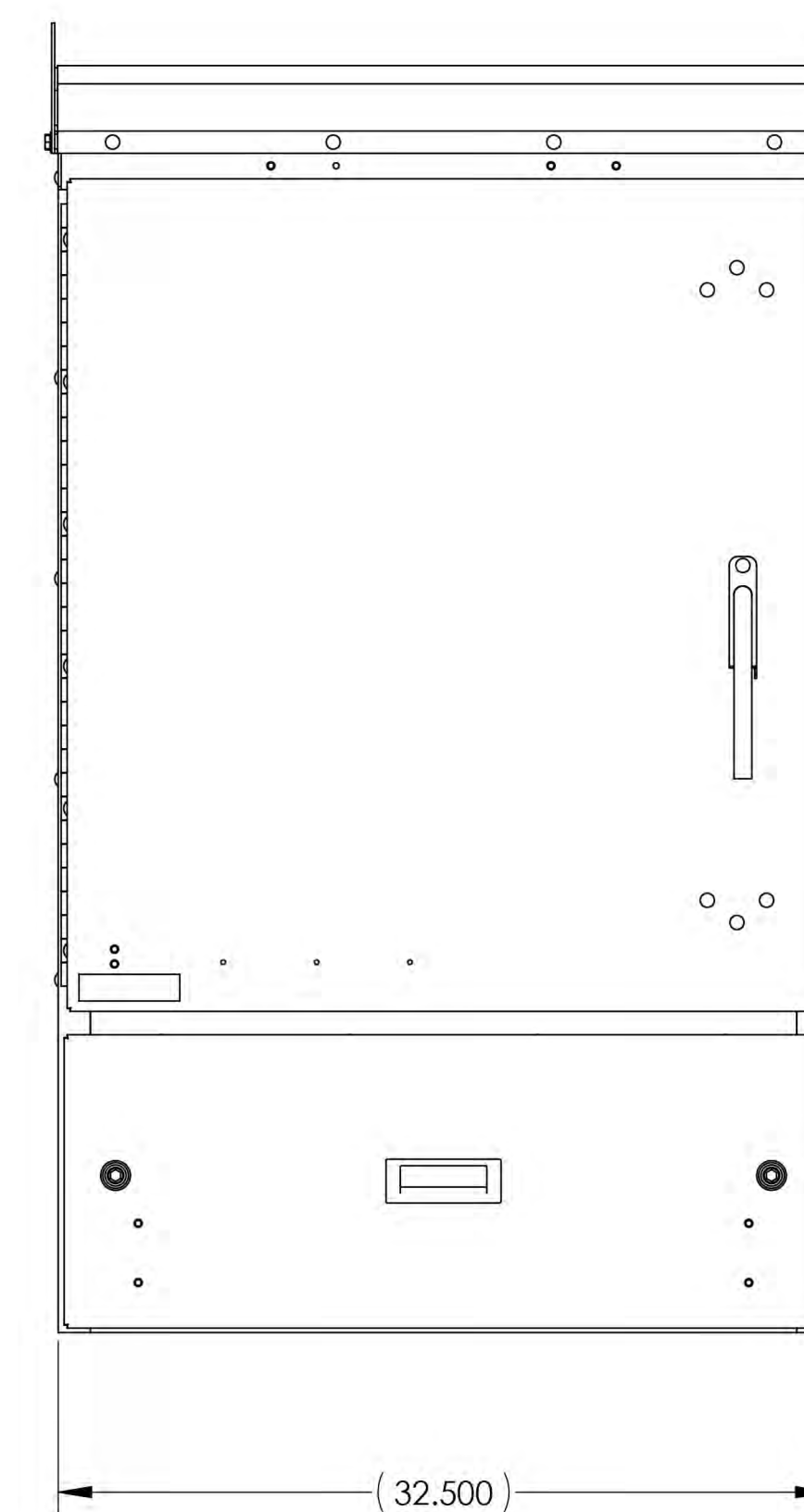
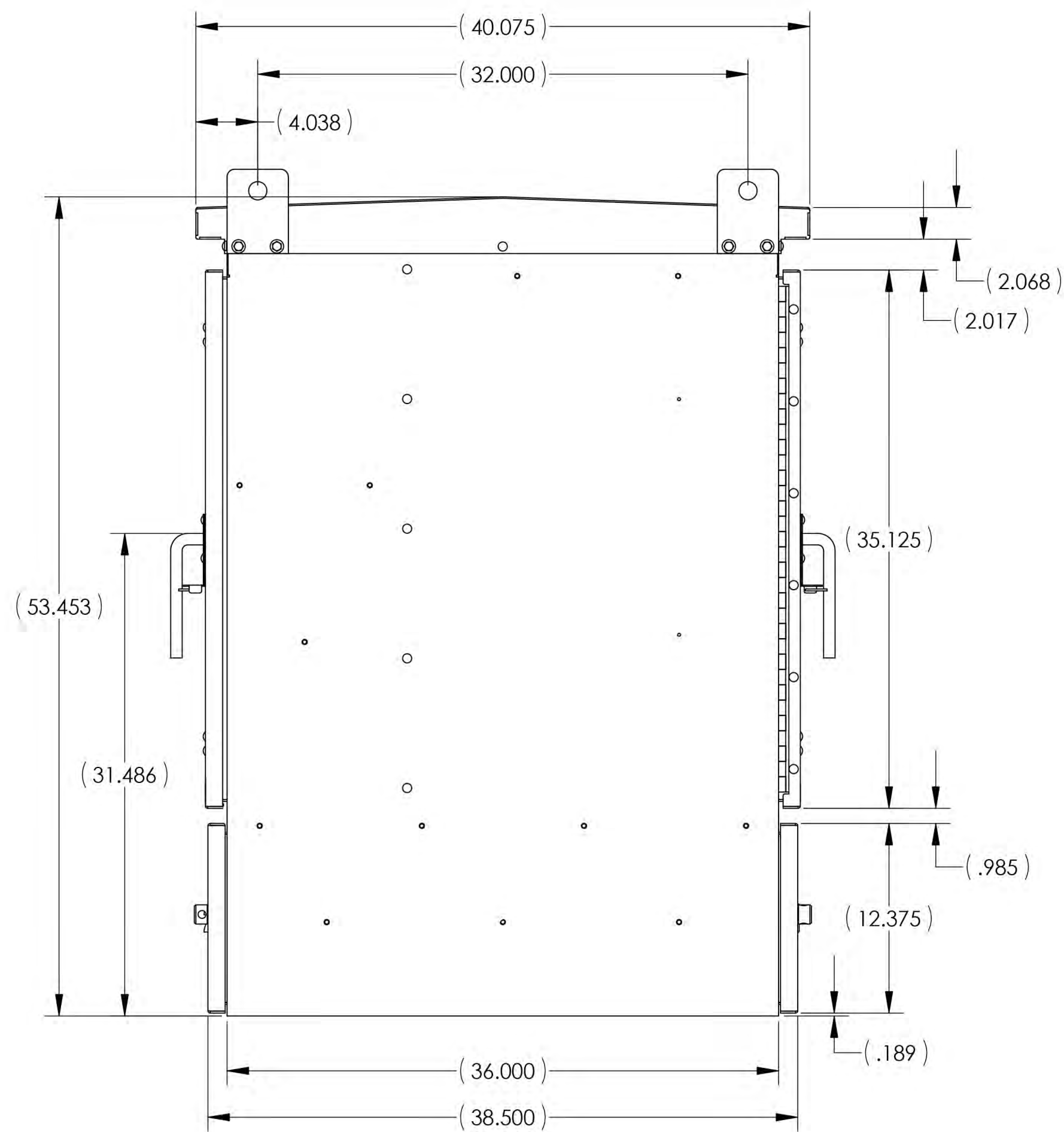
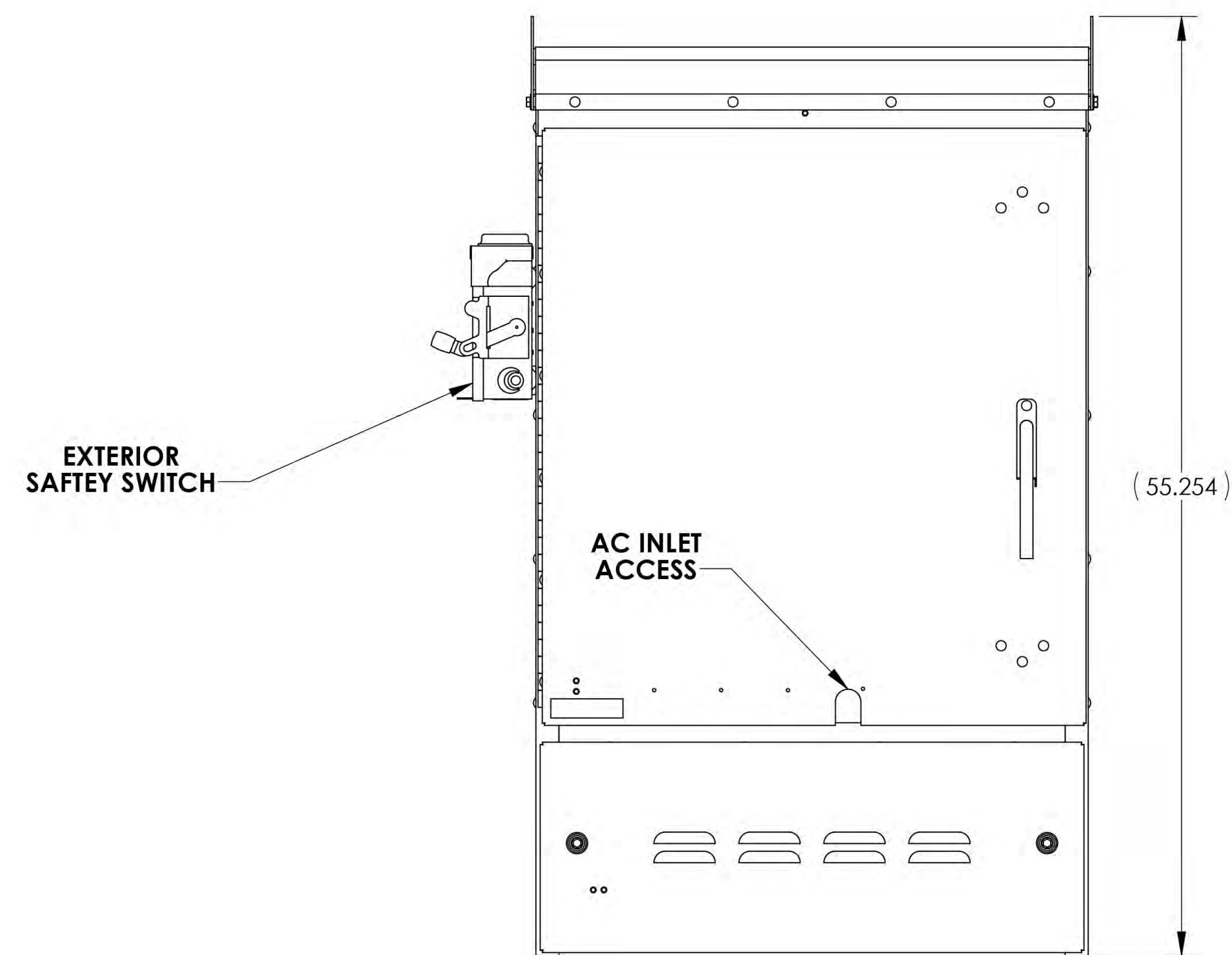


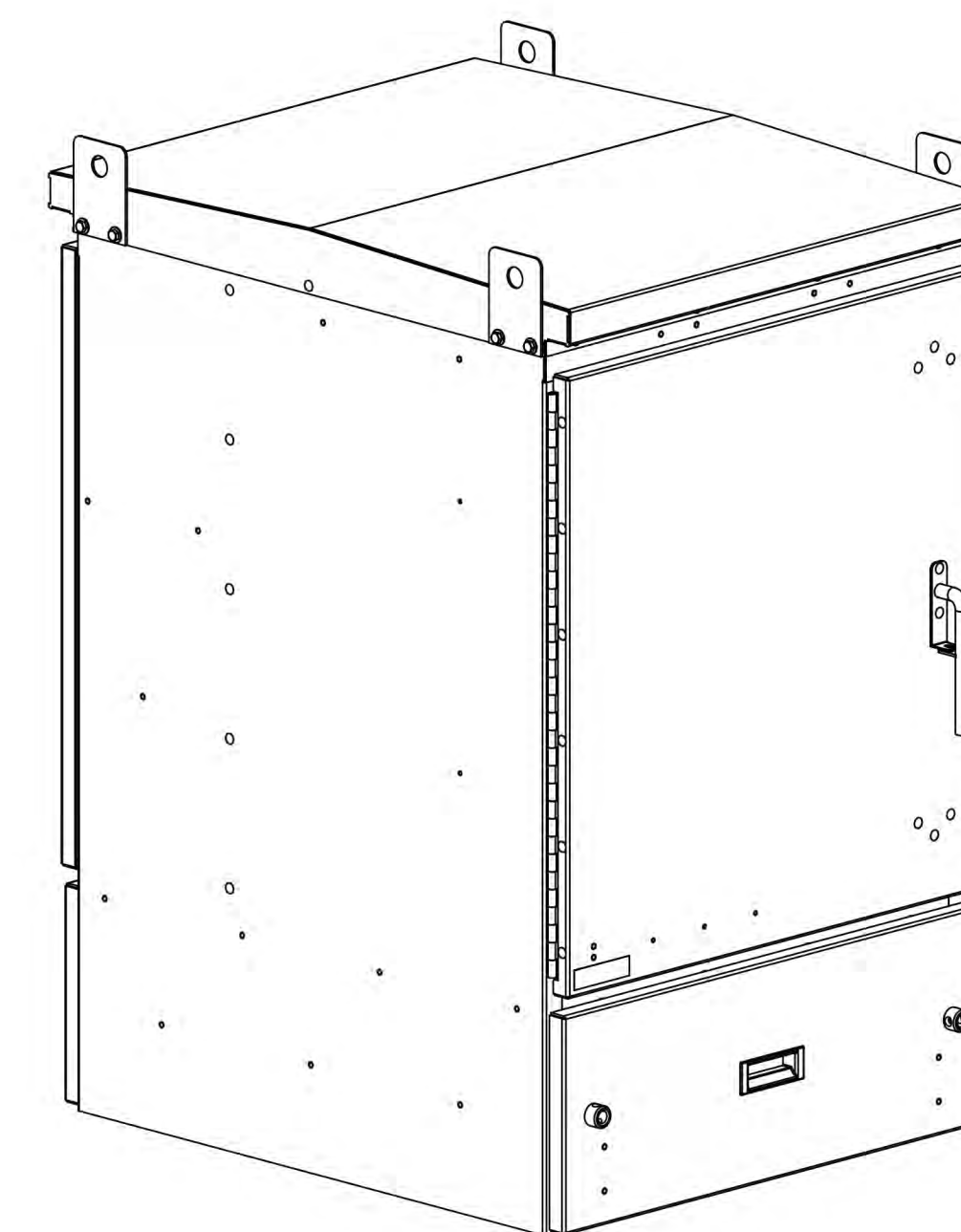
PRELIMINARY REVISIONS:
1A) 07/14/05 - LK - CREATED NEW PART DWG.

030-123-REF

| REV. | ECH # | DESCRIPTION OF CHANGE | DATE | BY | MFG ENG |
|------|-------|-----------------------|----------|--------|---------|
| 1A | N/A | PRELIMINARY RELEASE | 07/14/05 | L.P.K. | |
| 01 | N/A | INITIAL RELEASE | | | |



MOUNTING CONFIG.
WITH POWER/FIBER
ACCESS CUTOUT



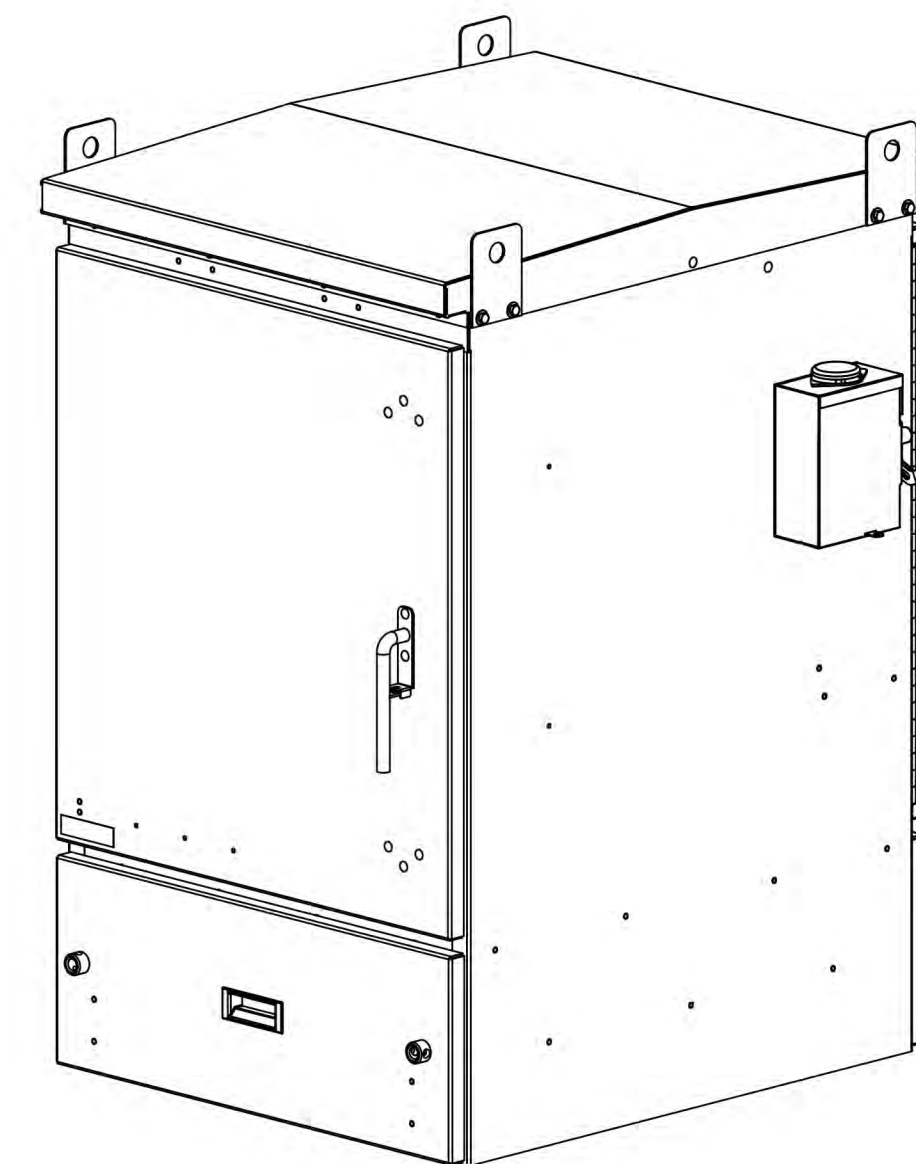
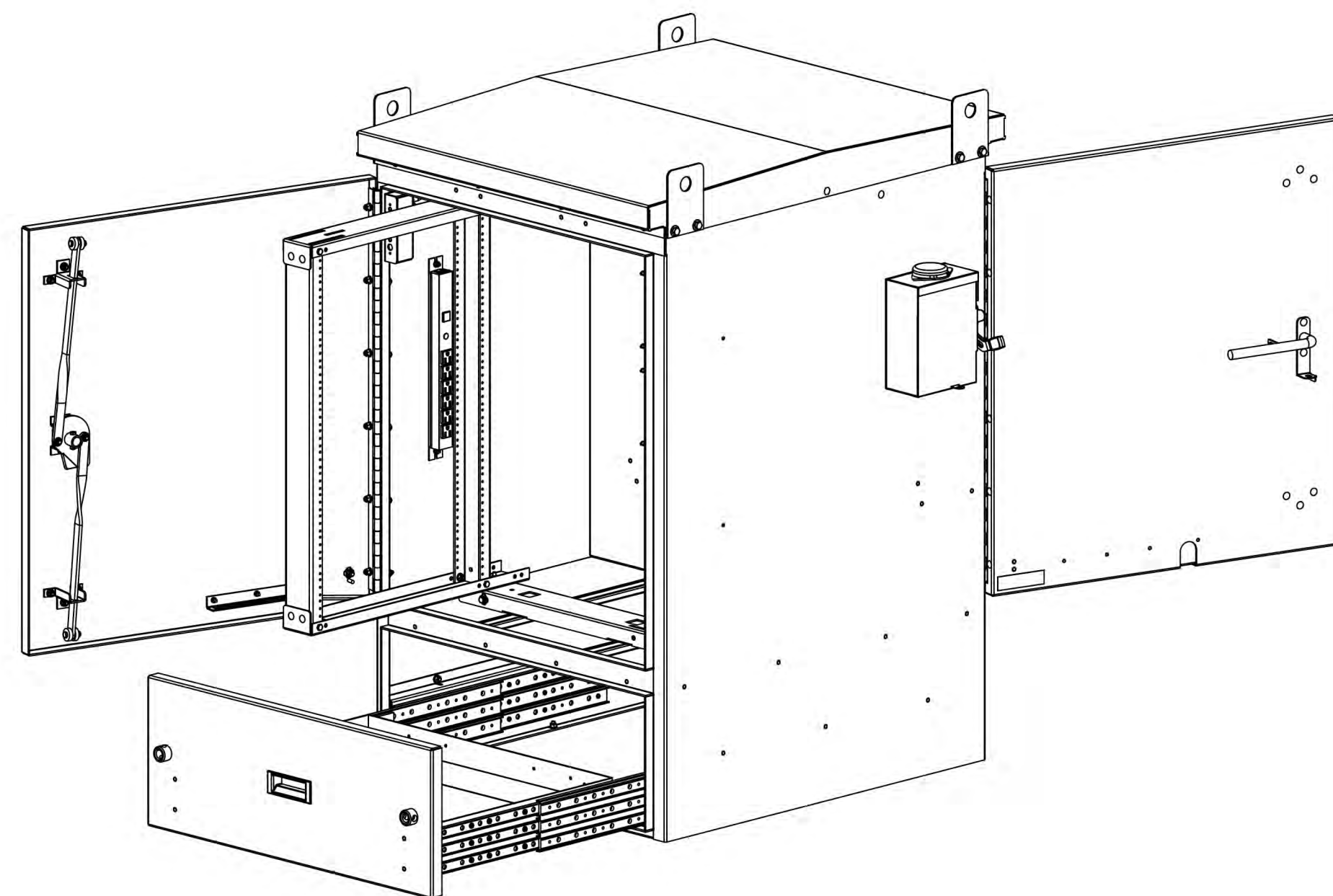
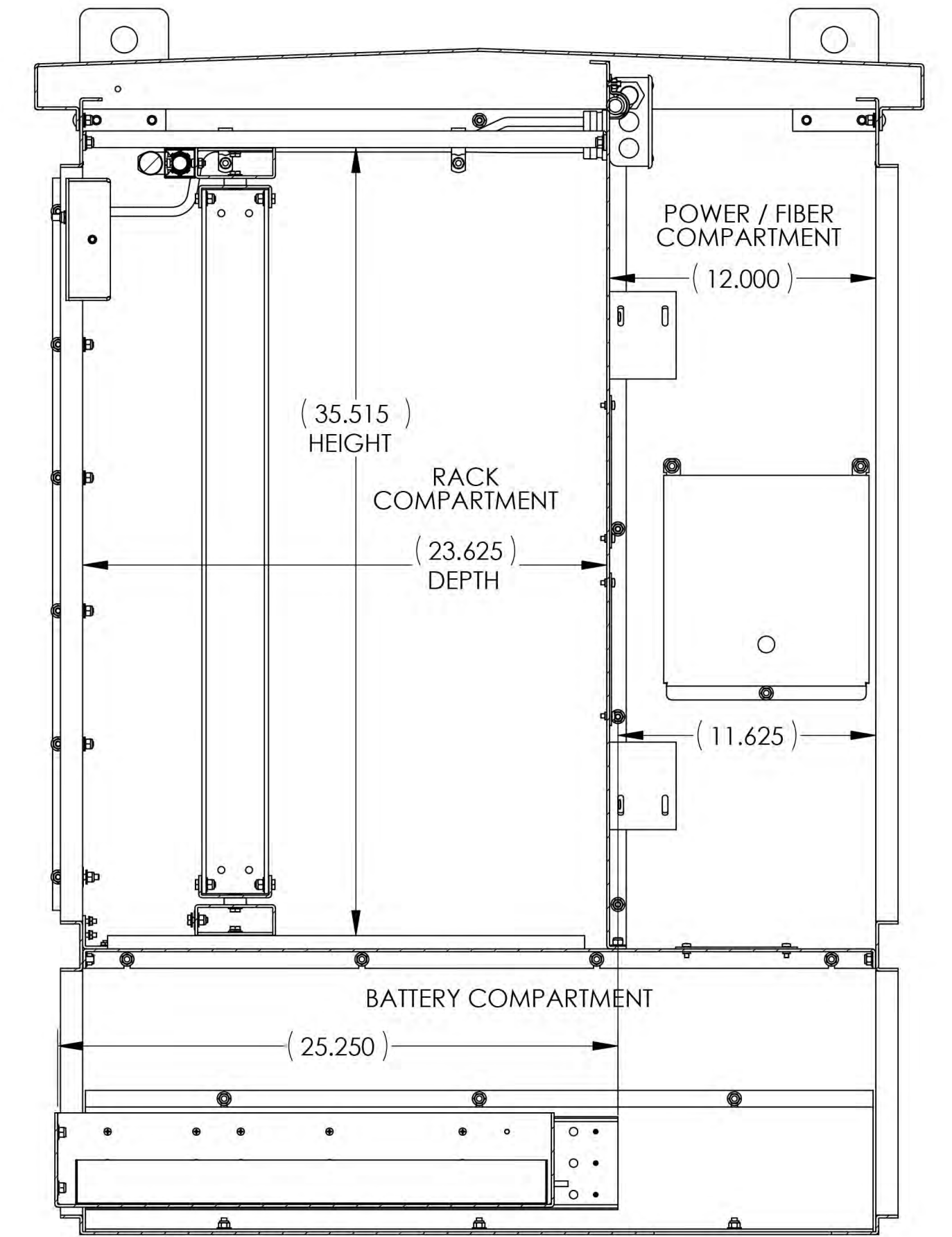
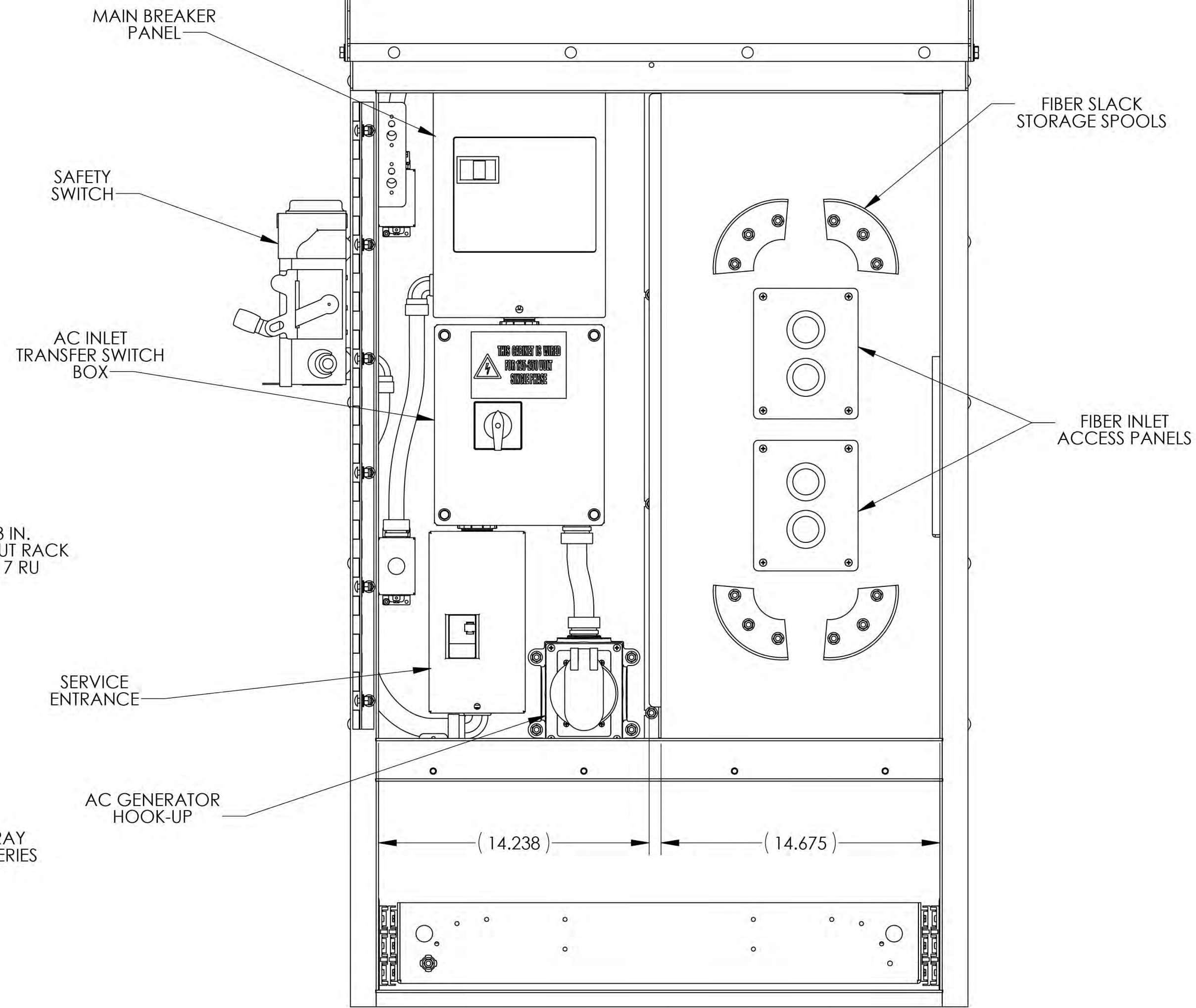
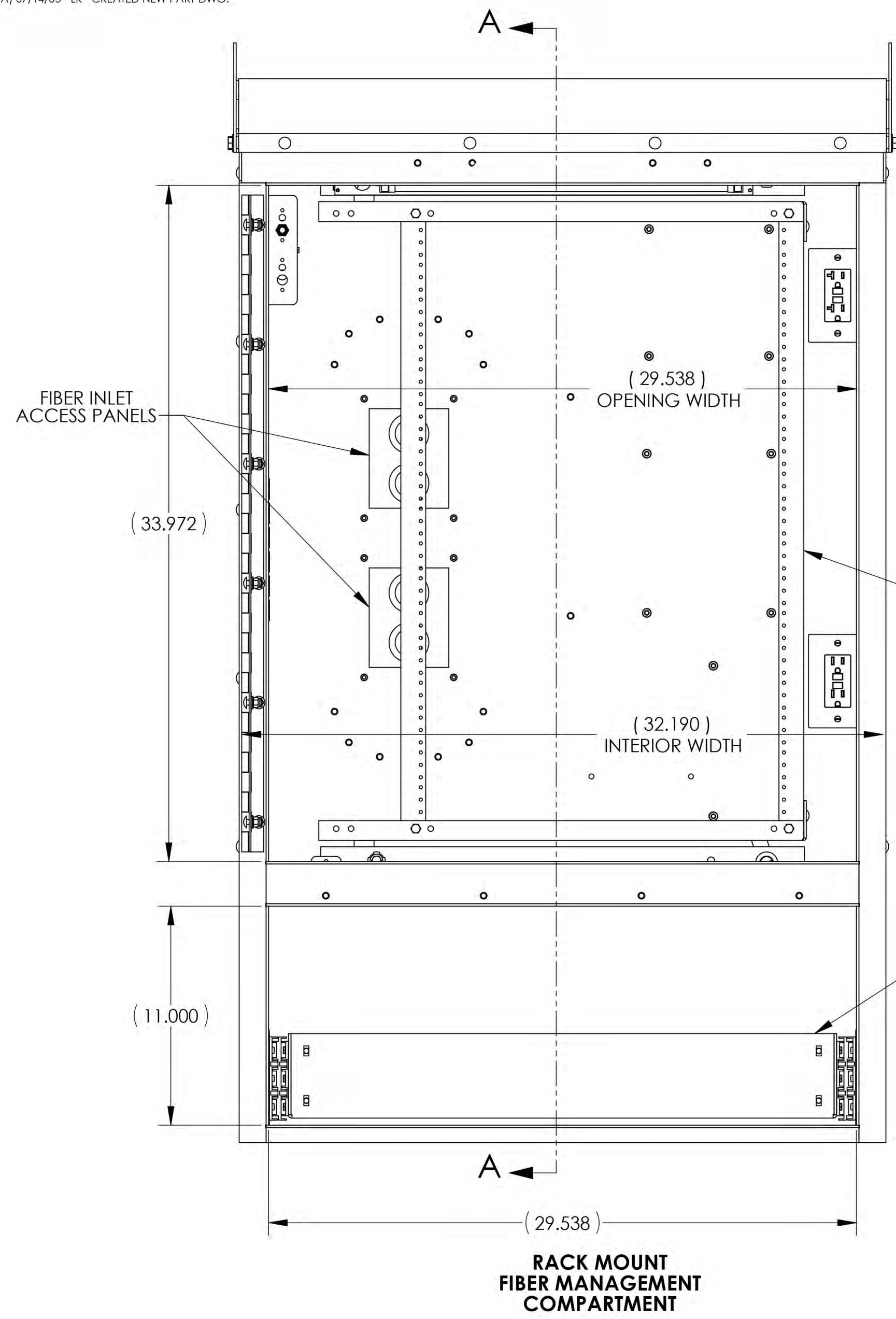
Preliminary:
Date:
Engineer:

| | | | | | |
|---|----------------------|--|------------|-------------------------------|---------|
| UNLESS OTHERWISE SPECIFIED DIMENSIONS ARE IN INCHES TOLERANCES ARE: FRACTIONS: DECIMALS: ANGLES: ±1/32 ±.015 ±1° ±.005 ±.010 ±5° | | THE INFORMATION CONTAINED IN THIS DRAWING IS THE SOLE PROPERTY OF MULTILINK BROADBAND INC. ANY REPRODUCTION IN PART OR IN WHOLE WITHOUT WRITTEN PERMISSION FROM MULTILINK IS STRICTLY PROHIBITED. | | Multilink Broadband | |
| NO SHARP EDGES OR BURRS ALLOWED | | DRAWN BY: L.P.K. DATE: 07/14/2005 | | OTN, MINI, 1 BAY, BEIGE | |
| MATERIAL: SEE B.O.M. | FINISH: ALMOND BEIGE | DO NOT SCALE DRAWING | SCALE: 1:1 | DWG. NO: 030-123-REF | REV: 1B |

PRELIMINARY REVISIONS:
1A) 07/14/05 - LK - CREATED NEW PART DWG.

030-123-REF

| REV. | ECN # | DESCRIPTION OF CHANGE | DATE | BY | MFG ENG |
|------|-------|-----------------------|----------|--------|---------|
| 1A | N/A | PRELIMINARY RELEASE | 07/14/05 | L.P.K. | |
| 01 | N/A | INITIAL RELEASE | | | |



Preliminary:
Date:
Engineer:

| | | | | |
|---|----------------------|---|------------------|-------------------------------|
| UNLESS OTHERWISE SPECIFIED DIMENSIONS ARE IN INCHES TOLERANCES ARE: FRACTIONS: DECIMALS: ANGLES: 1/32 0.005 1/16 1/16 1/2 1/2 | | THE INFORMATION CONTAINED IN THIS DRAWING IS THE SOLE PROPERTY OF MULTILINK BROADBAND INC. ANY REPRODUCTION IN PART OR IN WHOLE WITHOUT WRITTEN PERMISSION FROM MULTILINK IS STRICTLY PROHIBITED. | | Multilink Broadband |
| NO SHARP EDGES OR BURRS ALLOWED | | DRAWN BY: L.P.K. DATE: 07/14/2005 | | |
| MATERIAL: SEE B.O.M. | FINISH: ALMOND BEIGE | DO NOT SCALE DRAWING | SCALE: 1:6 | OTN, MINI, 1 BAY, BEIGE |
| DATE: 07/14/2005 | DATE: 07/14/2005 | DATE: 07/14/2005 | DATE: 07/14/2005 | REV: 1B |

Multilink
Broadband

OTN, MINI, 1 BAY, BEIGE

REV: 1B

030-123-REF

2 OF 2