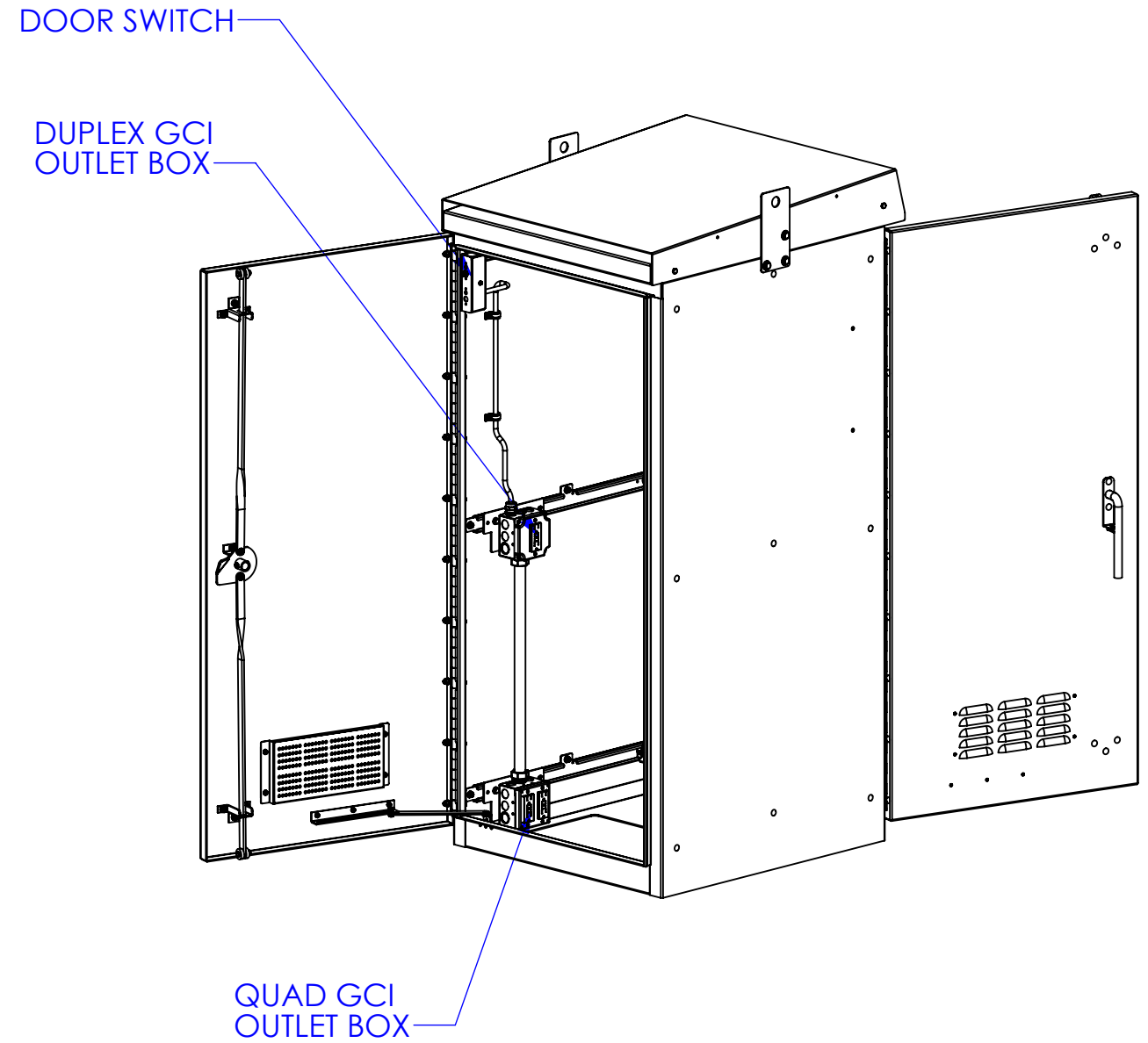
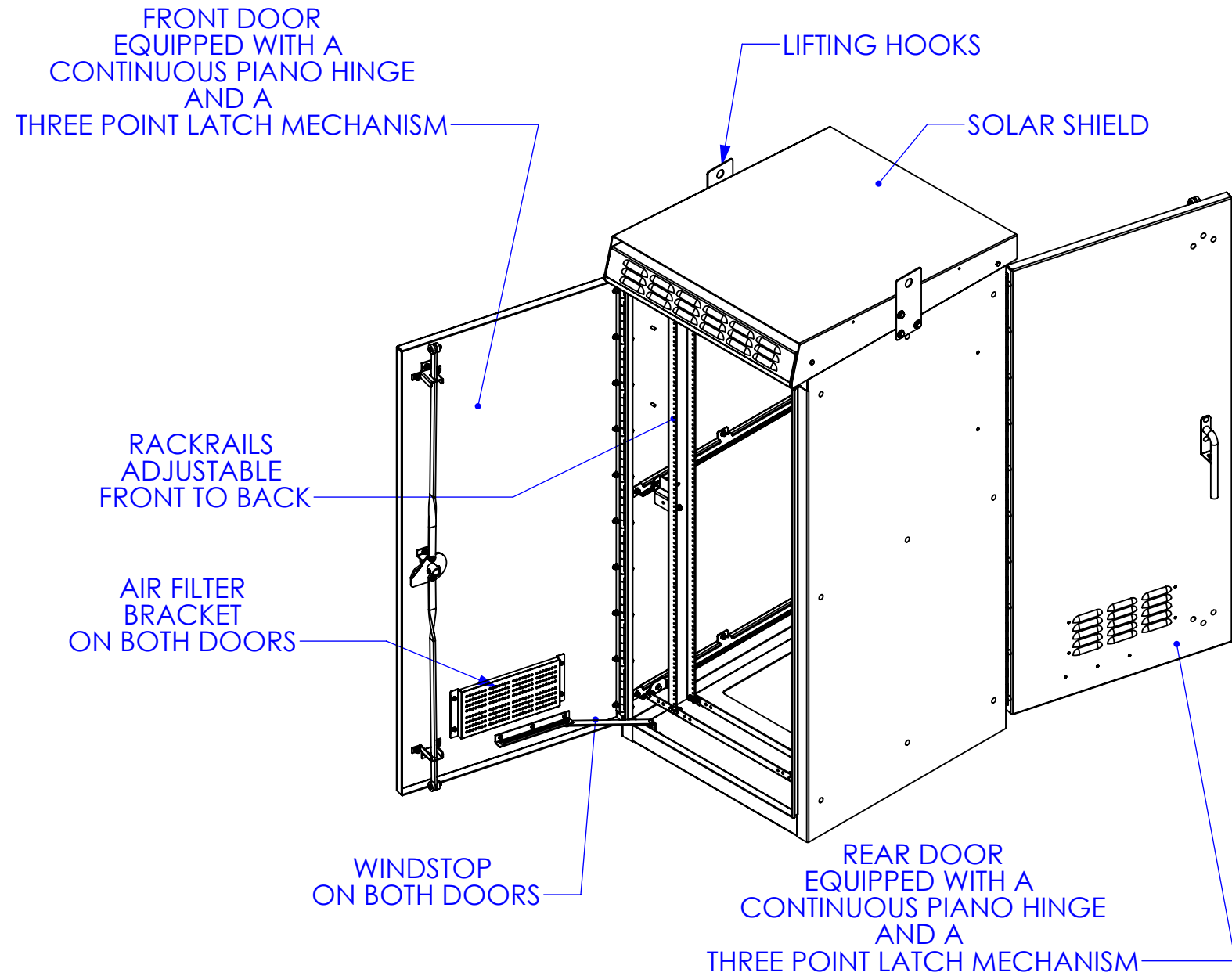


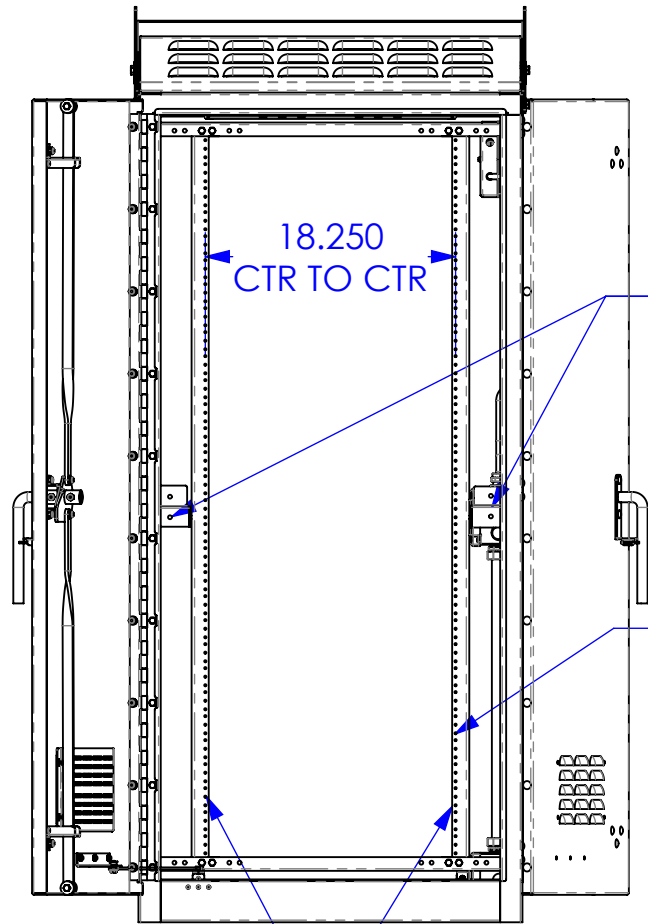
REV.	ECN #	DESCRIPTION OF CHANGE	DATE	BY	MFG ENG
01	N/A	INITIAL RELEASE	07/09/10	SK	



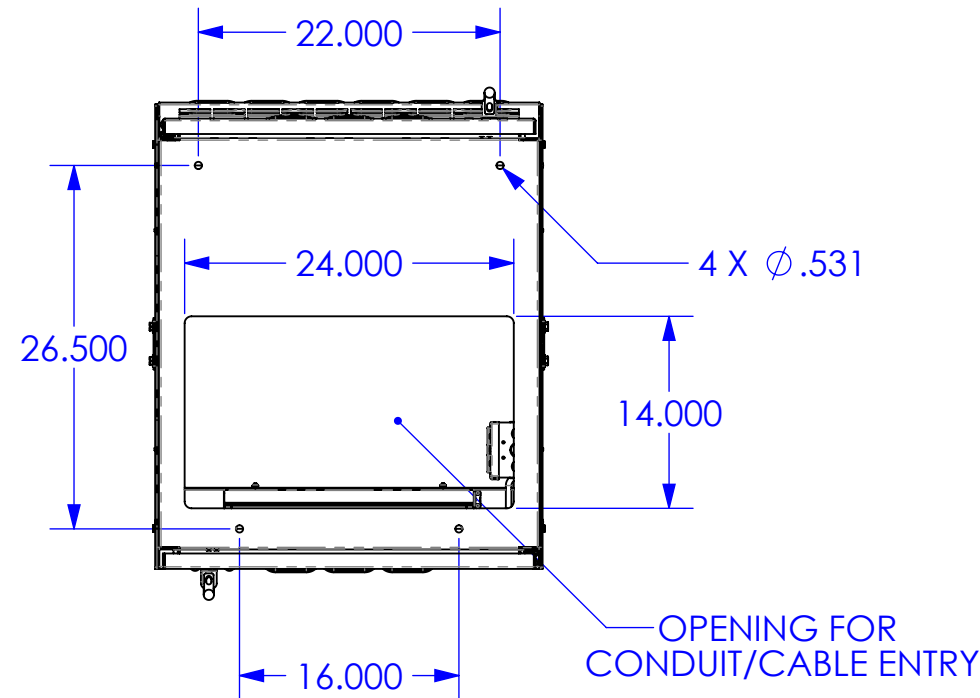
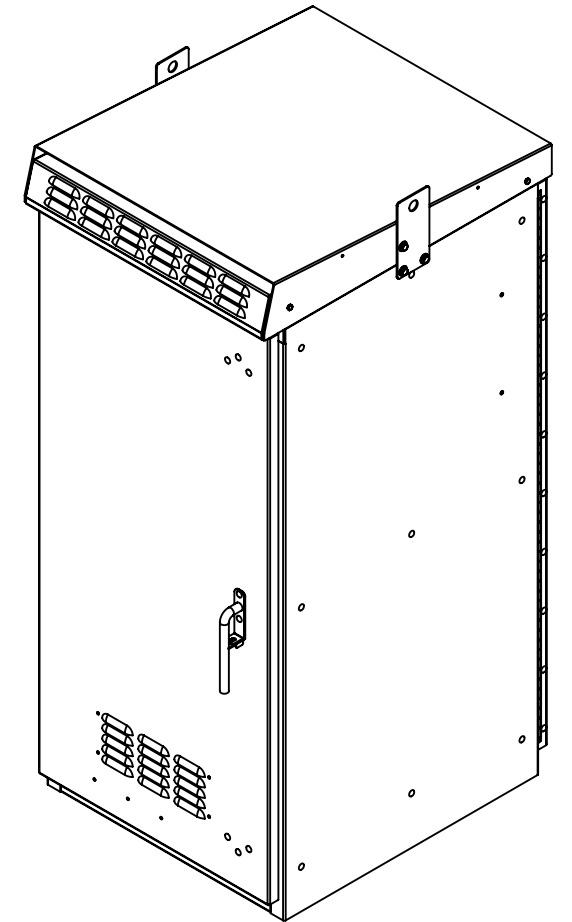
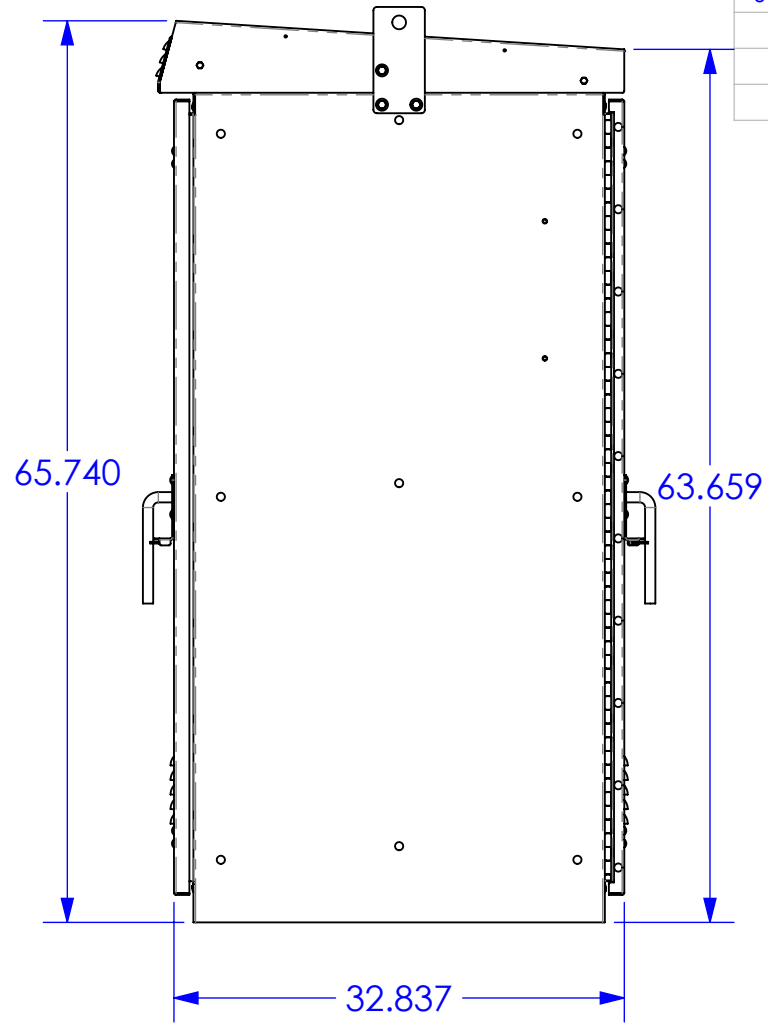
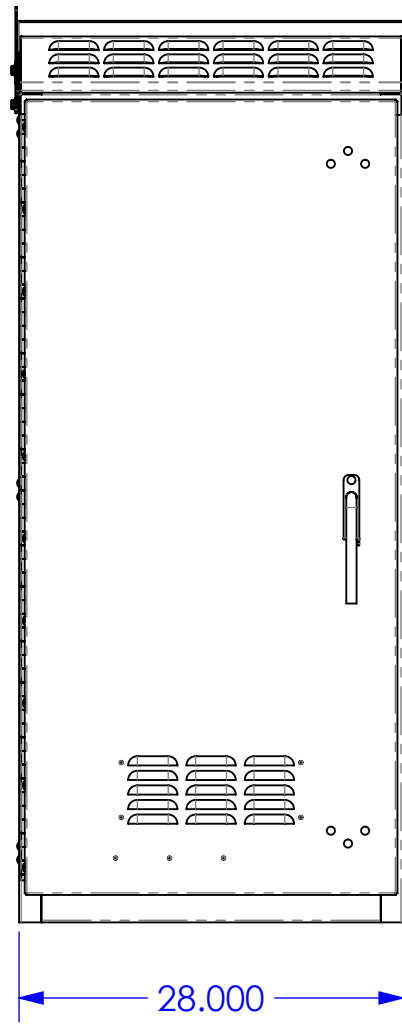
CABINET CONSTRUCTED WITH 0.125" ALUMINUM

UNLESS OTHERWISE SPECIFIED DIMENSIONS ARE IN INCHES TOLERANCES ARE: FRACTIONS: ±1/32 DECIMALS: .XX=±.03 ANGLES: ±1° .XXX=±.010 ALL FLATS TO BE ±.005		<p>THIS DOCUMENT AND THE INFORMATION CONTAINED THEREIN ARE CONFIDENTIAL & PROPRIETARY TO MULTILINK AND MAY NOT BE COPIED OR DISCLOSED TO OTHERS WITHOUT A WRITTEN CONSENT FROM MULTILINK. THE INFORMATION IS TO BE PROMPTLY RETURNED TO MULTILINK UPON REQUEST.</p> <p>DRAWN BY: SK DATE: 02/04/06</p> <p>CHECKED: DATE:</p> <p>MFG ENG: DATE:</p> <p>QUALITY ENG: DATE:</p>	<p>Multilink</p> <p>OPTO-ELEC RACK ENCL BE W/FAN SHELF</p>
<p>NO SHARP EDGES OR BURRS ALLOWED</p> <p>MATERIAL: SEE B.O.M.</p> <p>FINISH: ALMOND BEIGE</p> <p>DO NOT SCALE DRAWING</p>			

REV.	ECN #	DESCRIPTION OF CHANGE	DATE	BY	MFG ENG
01	N/A	INITIAL RELEASE	07/09/10	SK	



19" RACK SYSTEM
29 RACK SPACES



MOUNTING CONFIG

UNLESS OTHERWISE SPECIFIED
DIMENSIONS ARE IN INCHES
TOLERANCES ARE:
FRACTIONS: DECIMALS: ANGLES:
± 1/32 .XX = ± .03 ± 1°
.XXX = ± .010
ALL FLATS TO BE ± .005
**NO SHARP EDGES OR
BURRS ALLOWED**
MATERIAL:
SEE B.O.M.
FINISH:
ALMOND BEIGE
DO NOT SCALE DRAWING

THIS DOCUMENT AND THE INFORMATION
CONTAINED THEREIN ARE CONFIDENTIAL
& PROPRIETARY TO MULTILINK AND MAY NOT
BE COPIED OR DISCLOSED TO OTHERS
WITHOUT A WRITTEN CONSENT FROM
MULTILINK. THE INFORMATION IS TO BE
PROMPTLY RETURNED TO MULTILINK UPON
REQUEST.
DRAWN BY: SK DATE: 02/04/06
CHECKED: DATE:
MFG ENG: DATE:
QUALITY ENG: DATE:

Multilink

OPTO-ELEC RACK ENCL
BE W/FAN SHELF

SIZE DWG. NO. REV.
B 030-129-10REF 01
SCALE: 1:14 CAD FILE: 030-129-10REF SHEET: 2 OF 2