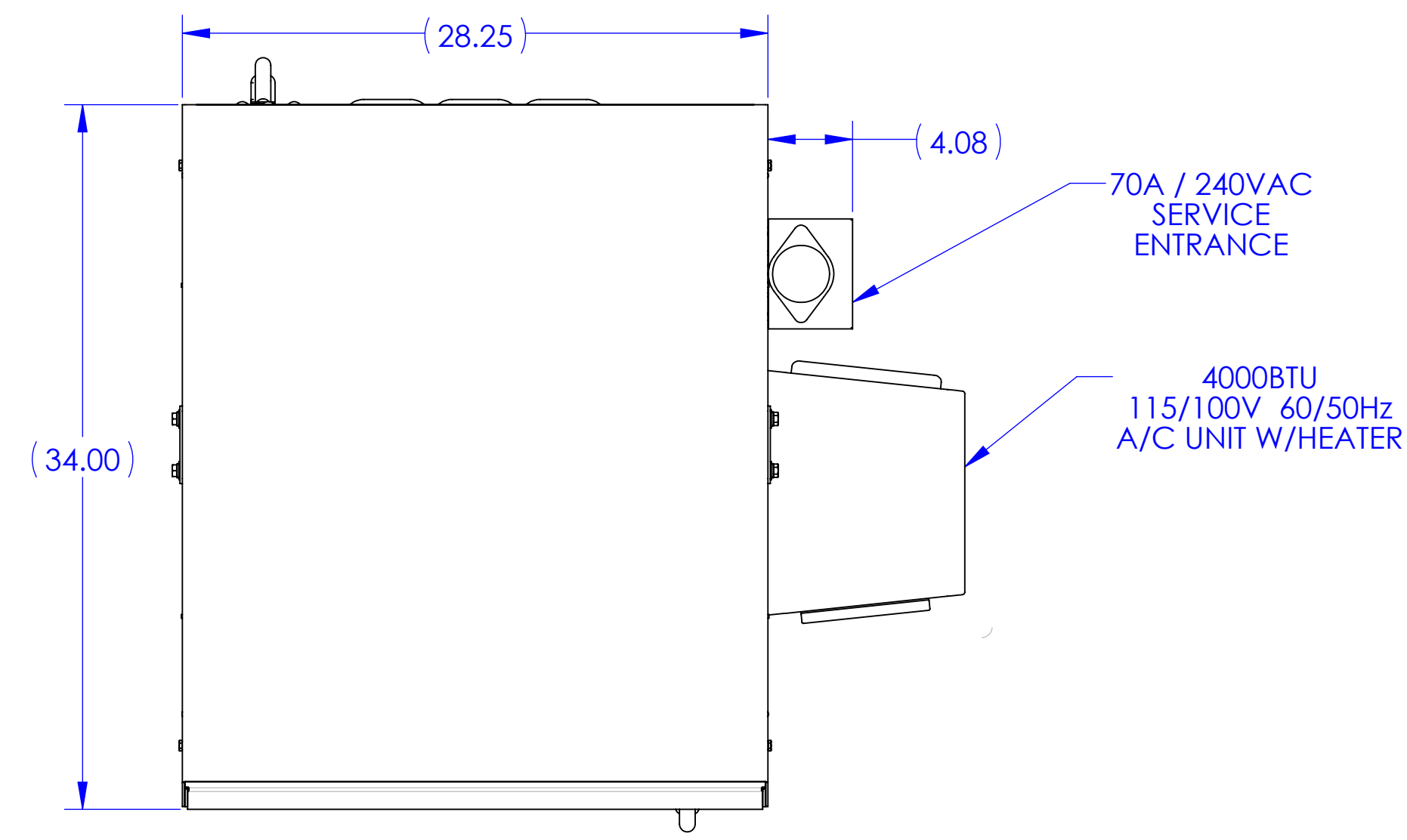
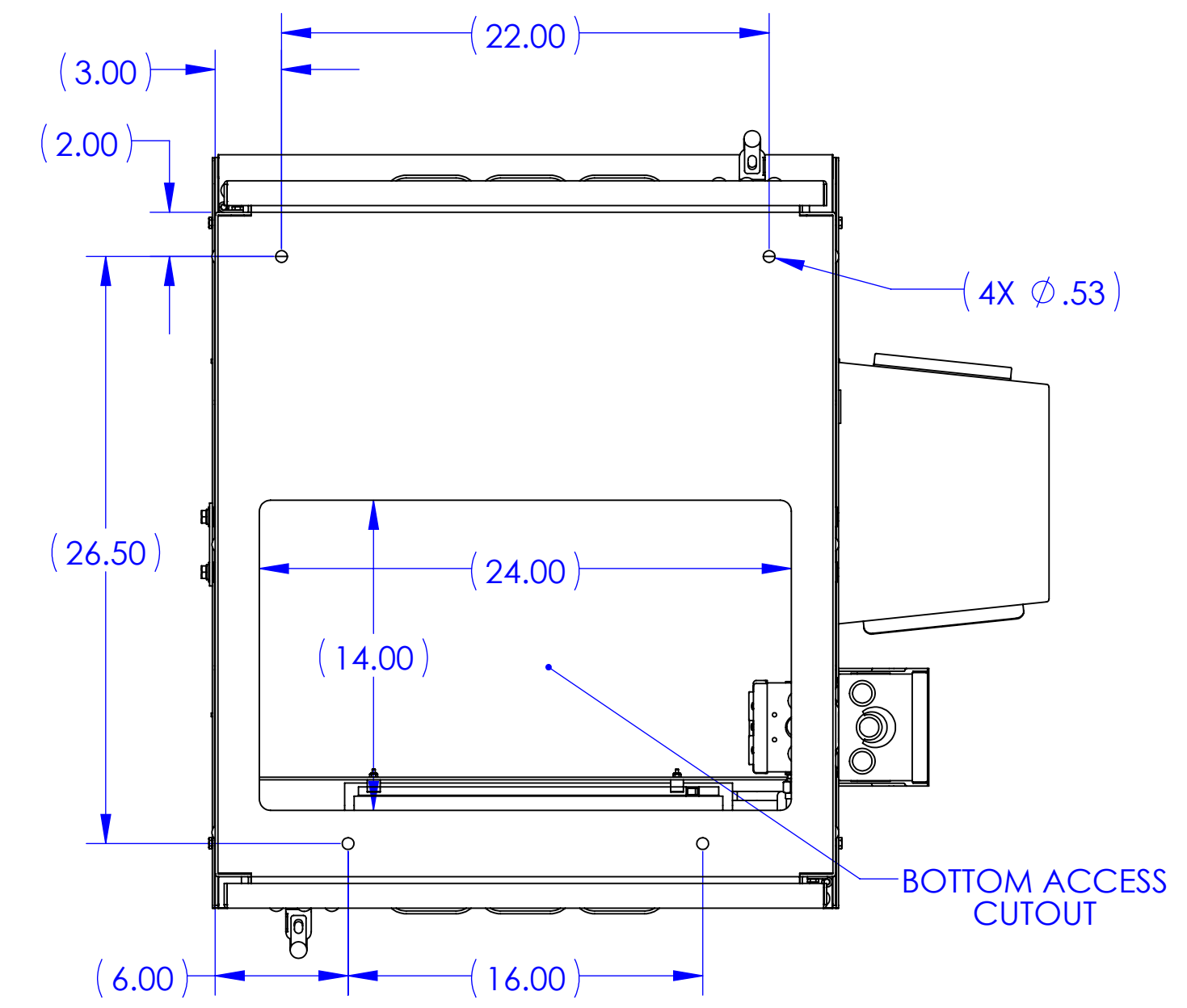
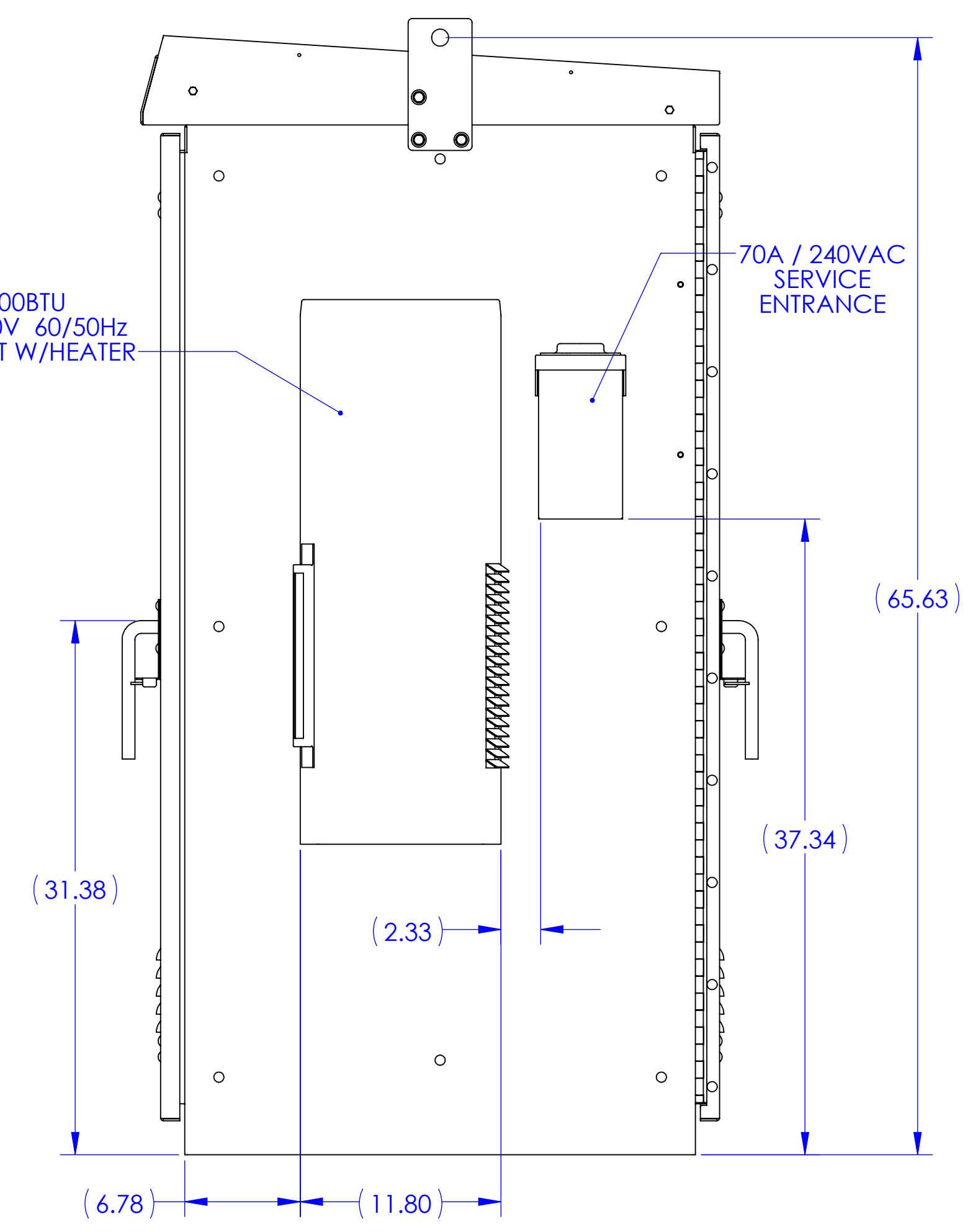
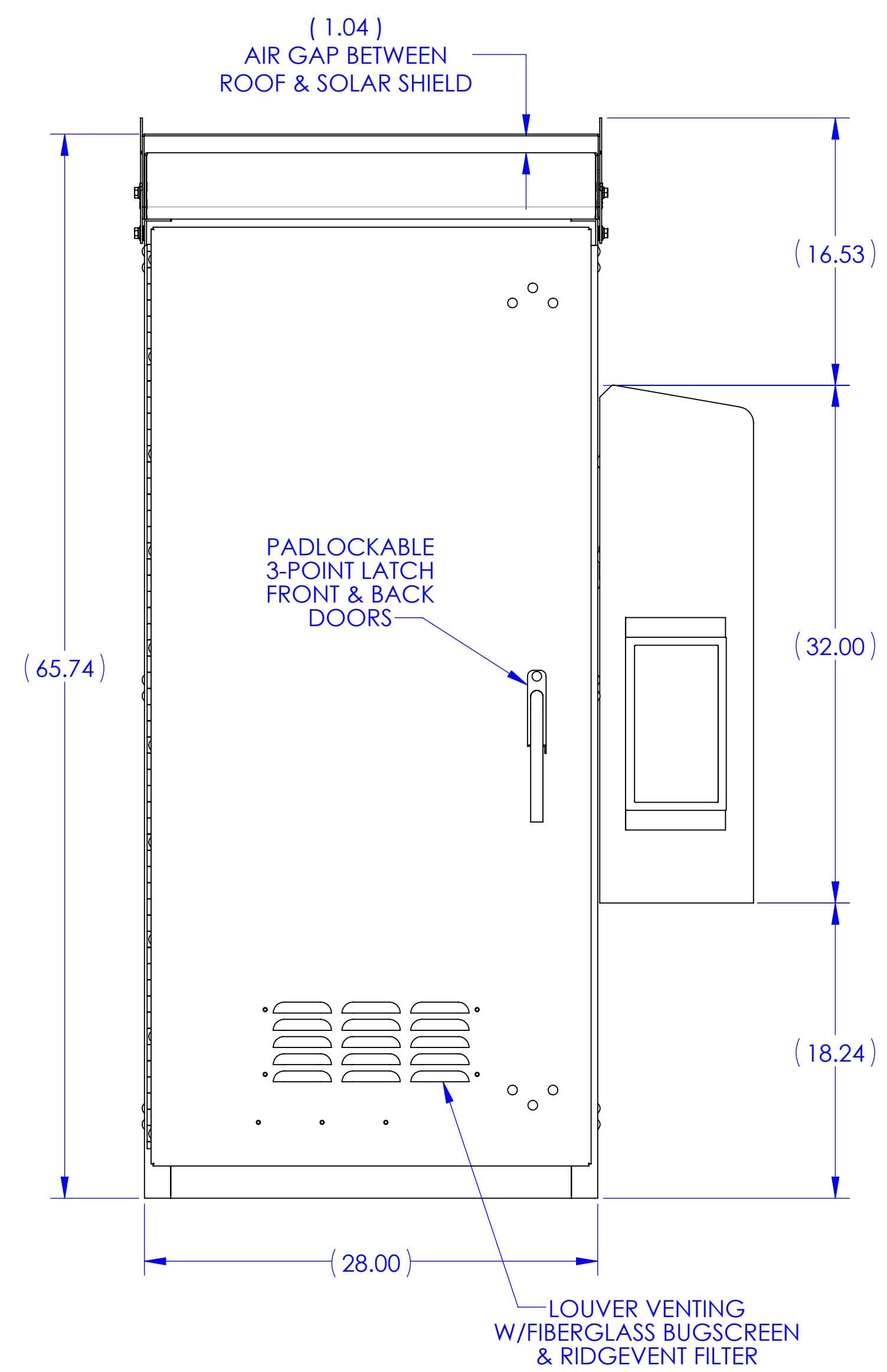
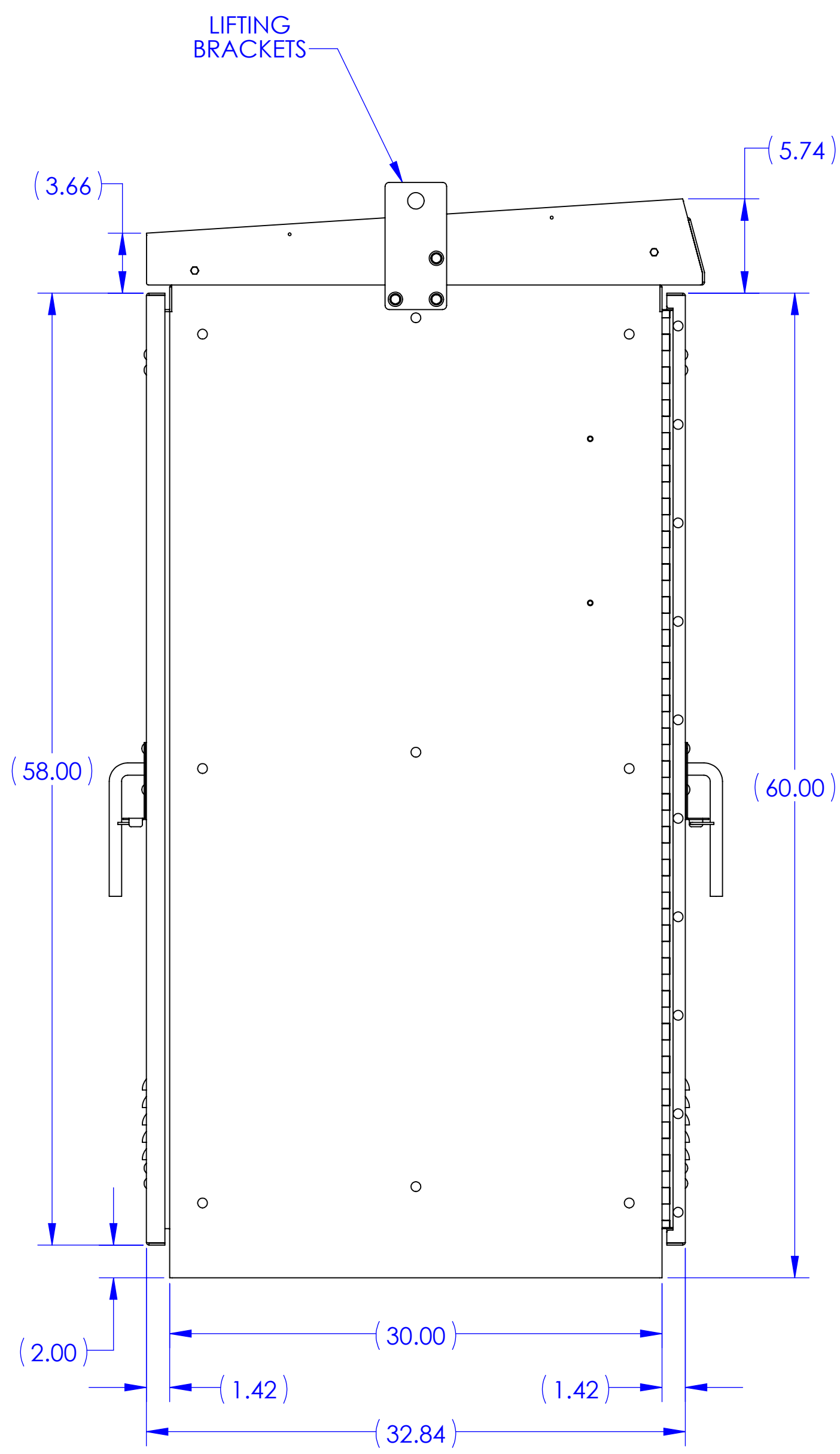
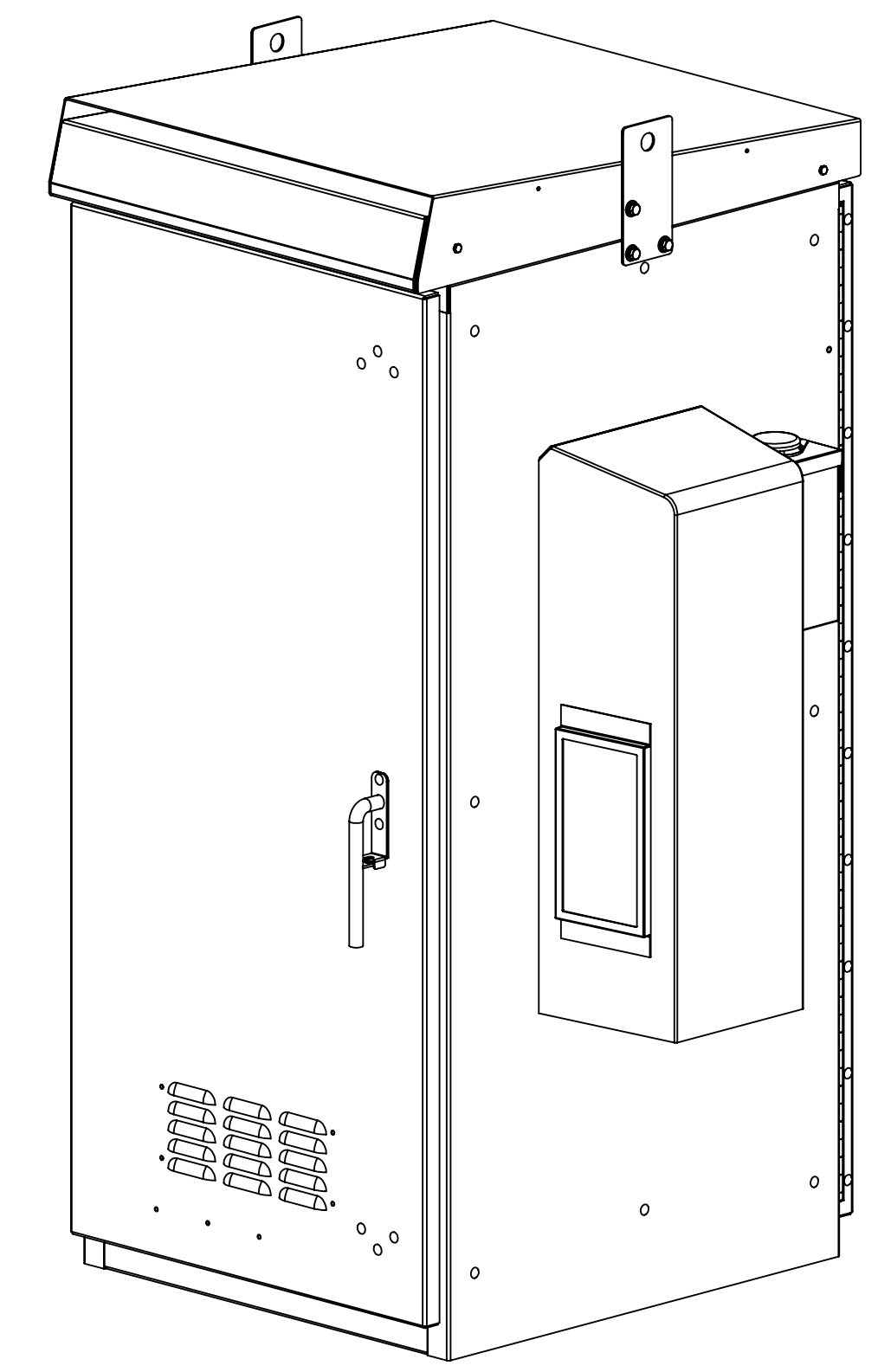


REV.	ECH #	DESCRIPTION OF CHANGE	DATE	BY	MFG ENG
02	2040	UPDATED 1, 13, 36 & 55/ADDED 39 & 70	05/03/10	L.P.K	
03	2100	UPDATED 23 / REMOVED 390-002-10	07/13/10	L.P.K	
04	3007	UPDATED, REMOVED, ADDED ITEMS	03/27/14	L.P.K	
05	3635	UPDATED ITEM 1 / CHANGED ITEM 60	07/20/15	L.P.K	



- NOTE:**
1. UNIT IS CONSTRUCTED AS COMPLETE WELDED SHELL COMPOSED OF 1/8" ALUM. ALL DOORS & EXTERIOR SHEET METAL IS ALSO COMPOSED OF 1/8" ALUM.
  2. FINISH TO BE ALMOND BEIGE POLYESTER POWDER COAT.
  3. ALL DOORS ARE MOUNTED WITH STAINLESS STEEL FULL LENGTH PIANO HINGE.
  4. THE FRONT AND REAR DOORS ARE EQUIPED WITH A PADLOCKABLE 3-POINT LATCH.
  5. ENCLOSURE IS EQUIPPED WITH EXTERIOR MOUNTED:
    - 70A 120/240V RAINPROOF SERVICE ENTRANCE
    - 4000BTU 115/100V 60/50Hz A/C UNIT W/HEATER
  6. ALL DOORS ARE SEALED WITH 3/8" TO 1/2" GASKETING & THE LOUVERS ARE COVERED BY FIBERGLASS SCREEN AND AN INTERIOR MOUNTED COVER PLATE.
  7. THE ROOF VENTS ARE COVERED WITH FIBERGLASS SCREEN AND SEALED FROM THE REST OF THE CABINET. THE ROOF IS ALSO EQUIPPED WITH A SOLAR SHIELD.
  8. SEE SHEET 2 FOR INTERIOR RACK AND POWER PROVISIONS.



UNLESS OTHERWISE SPECIFIED DIMENSIONS ARE IN INCHES. TOLERANCES ARE: FRACTIONS: DECIMALS: ANGLES: ±1/32 XXX±.03 XXX±.010 51°

ALL FLATS TO BE ±.005

NO SHARP EDGES OR BURRS ALLOWED

MATERIAL: SEE B.O.M.

FINISH: ALMOND BEIGE

DO NOT SCALE DRAWING

THIS DOCUMENT AND THE INFORMATION CONTAINED HEREIN ARE CONFIDENTIAL & PROPRIETARY TO MULTILINK AND SHALL NOT BE COPIED OR DISCLOSED TO OTHERS WITHOUT THE WRITTEN CONSENT FROM MULTILINK. THE INFORMATION IS TO BE PROMPTLY RETURNED TO MULTILINK UPON REQUEST.

DRAWN BY: SK DATE: 03/18/2008

CHECKED: DATE:

MFG ENG: DATE:

QUALITY ENG: DATE:

SCALE: 1:1

**Multilink**

OPTO-ELEC-ENCL BE W/AC UNIT & HTR 28 X 65 X 33 ASSY

REV: 05

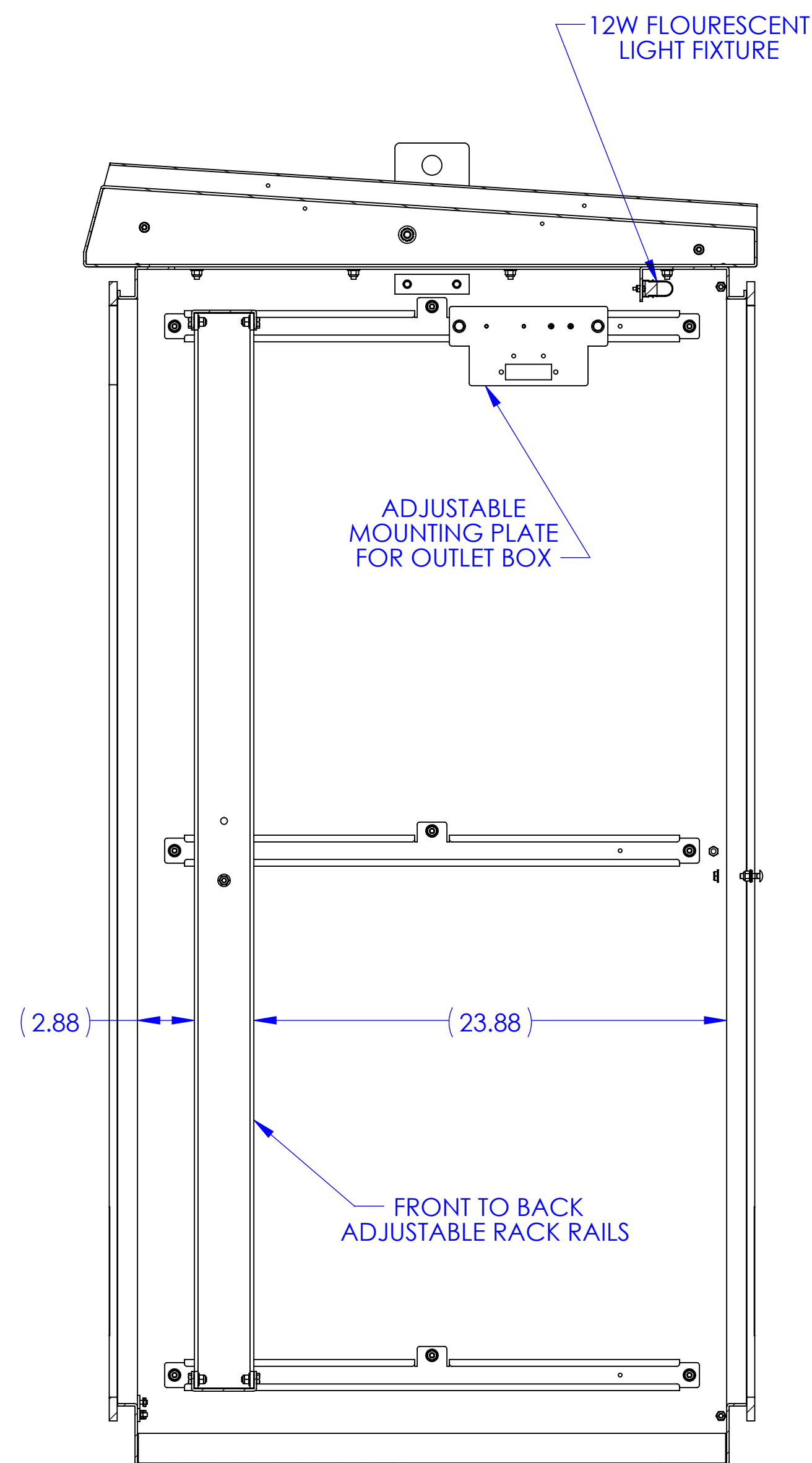
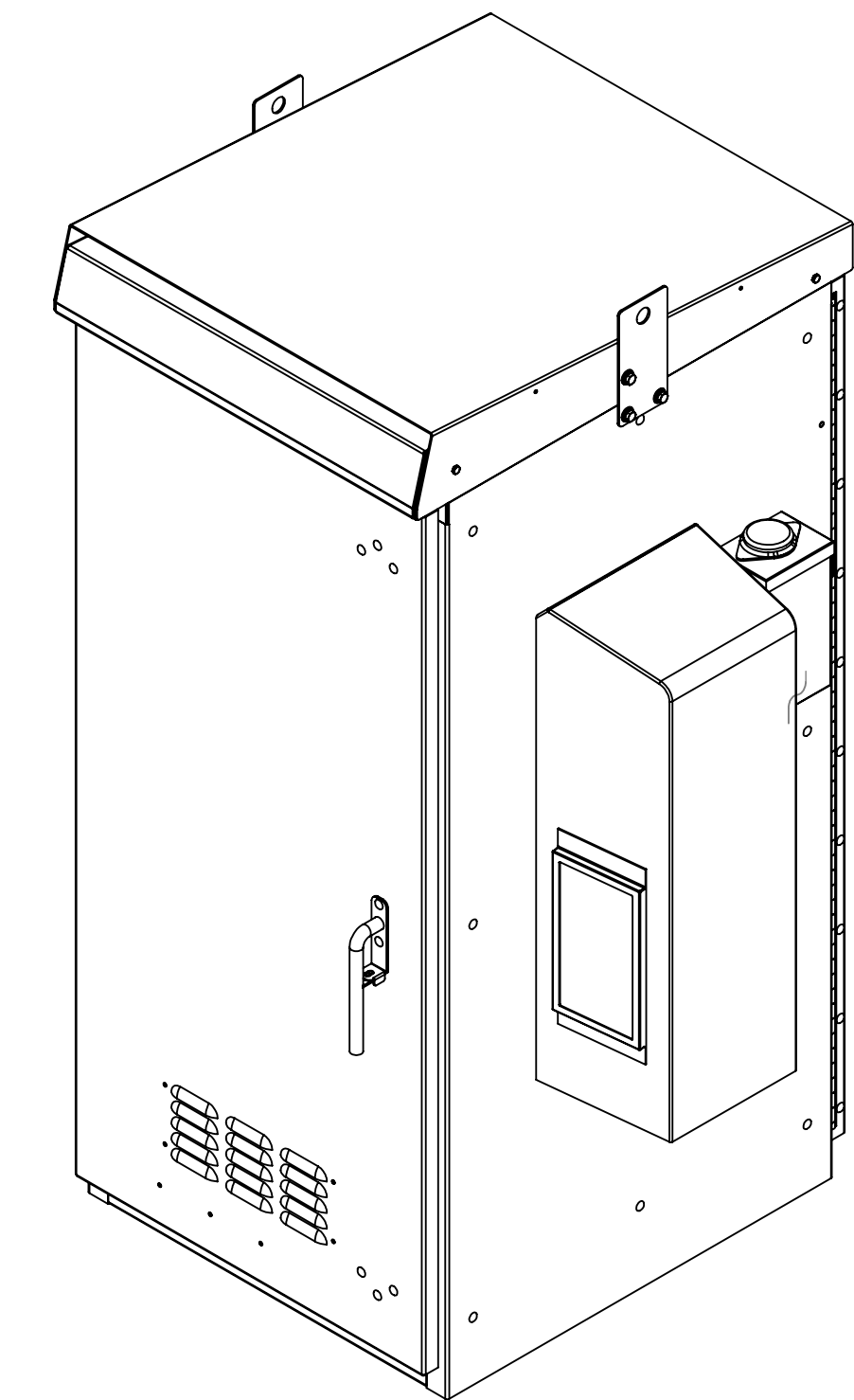
030-129-20REF

1 OF 2

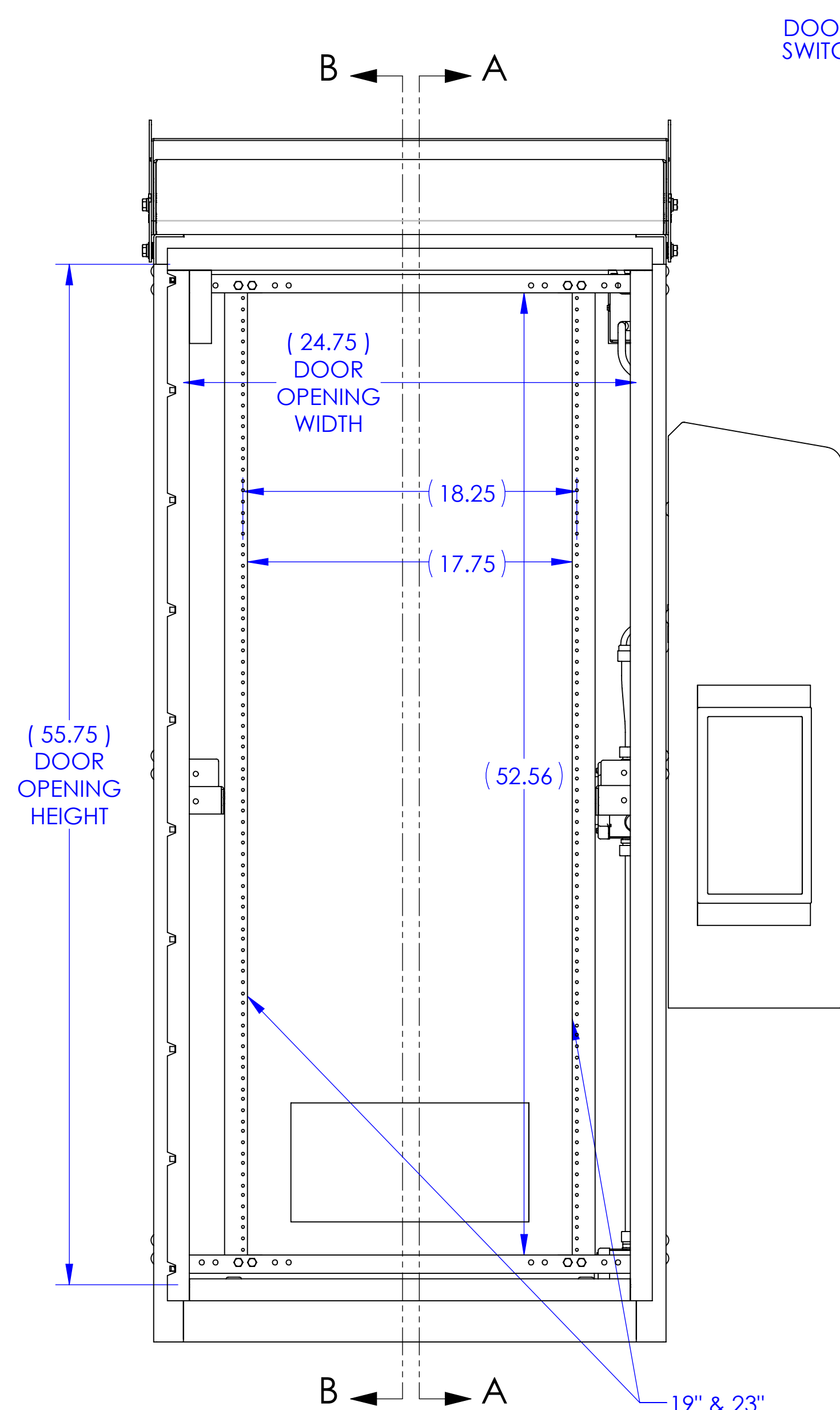
REV.	ECH #	DESCRIPTION OF CHANGE	DATE	BY	MFG ENG
02	2040	UPDATED 1, 13, 36 & 55/ADDED 39 & 70	05/03/10	L.P.K	
03	2100	UPDATED 23 / REMOVED 390-002-10	07/13/10	L.P.K	
04	3007	UPDATED, REMOVED, ADDED ITEMS	03/27/14	L.P.K	
05	3635	UPDATED ITEM 1 / CHANGED ITEM 60	07/20/15	L.P.K	

NOTE:

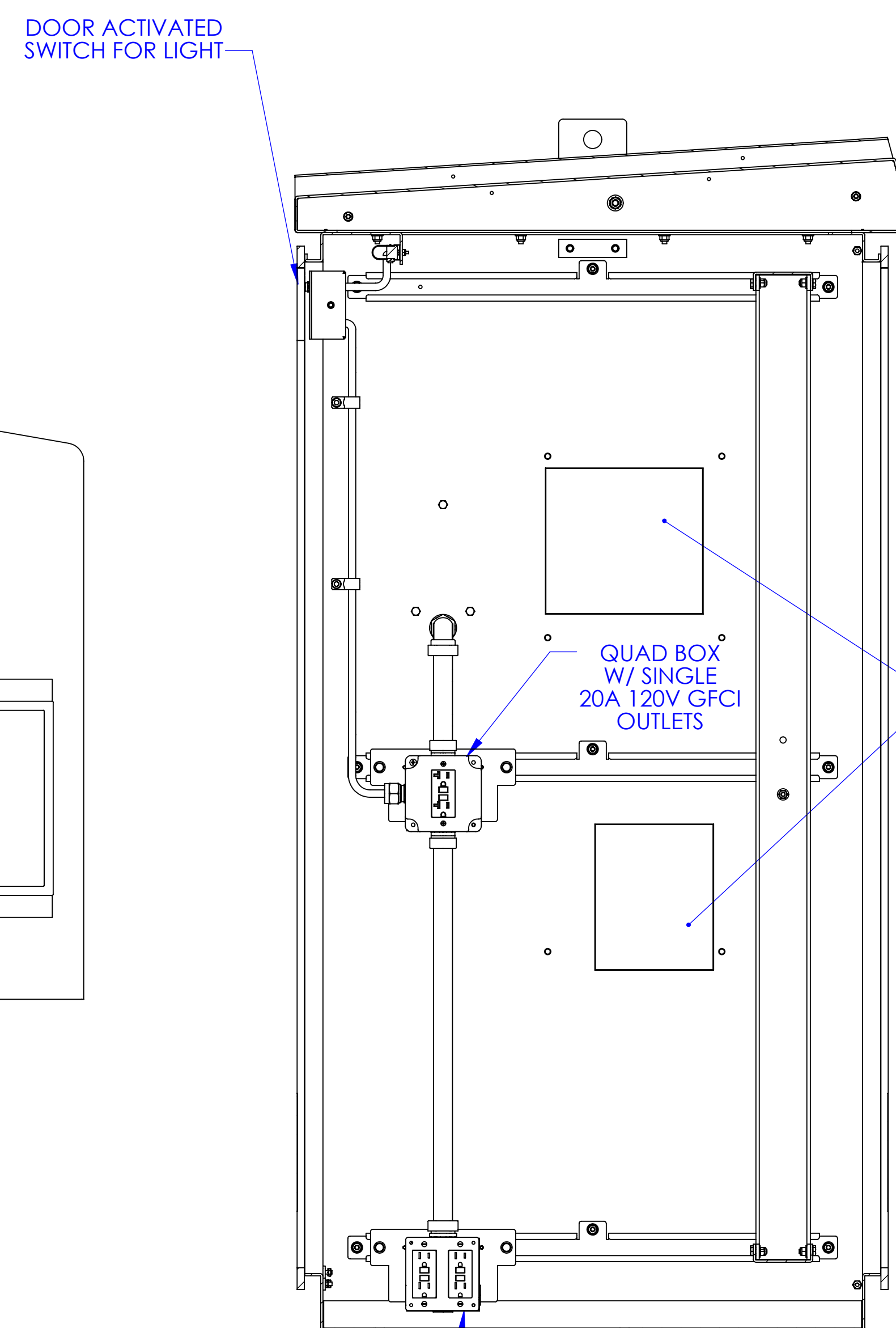
1. COMPARTMENT IS EQUIPPED WITH ONE 19" & 23" STATIONARY RACK. RACK CONTAINS 30RU TAPPED TO 10-32 AND IS ADJUSTABLE FRONT TO BACK.
3. TWO 15A/120V GFCI OULETS & ONE 20A/120V OUTLET ARE PROVIDED INSIDE THE CABINET
5. ONE FLORESCENT LIGHT IS PROVIDED THAT WILL ILUMINATE WHEN THE DOOR IS OPENED.
6. INTERIOR WALLS OF CABINET MAY BE COVERED WITH FOIL INSULATION AS AN ADDED OPTION TO CONTROL THE INTERIOR TEMPERATURE OF THE ENCLOSURE. CURRENTLY FOIL INSULATION HAS NOT BEEN ADDED TO THIS ENCLOSURE.
7. ADDITIONAL POWER PROVISIONS AS WELL AS FAN AND A/C OPTIONS ARE AVAILABLE.



SECTION B-B



19" & 23" ADJUSTABLE RACK RAILS 30RU TAPPED TO 10-32



SECTION A-A

UNLESS OTHERWISE SPECIFIED DIMENSIONS ARE IN INCHES		TOLERANCES ARE:		FRACTIONS: DECIMALS: ANGLES: ±1/32 .005 ±.010 ±1°	
NO SHARP EDGES OR BURRS ALLOWED		DRAWN BY: SK		DATE: 03/18/2008	
MATERIAL: SEE B.O.M.		CHECKED:		DATE:	
FINISH: ALMOND BEIGE		MFG ENG:		DATE:	
DO NOT SCALE DRAWING		QUALITY ENG:		DATE:	

THIS DOCUMENT AND THE INFORMATION CONTAINED HEREIN ARE CONFIDENTIAL & PROPRIETARY TO MULTILINK AND MAY NOT BE COPIED OR DISCLOSED TO OTHERS WITHOUT THE WRITTEN CONSENT FROM MULTILINK. THE INFORMATION IS TO BE KEPT STRICTLY CONFIDENTIAL.

**Multilink**

OPTO-ELEC-ENCL BE W/AC UNIT & HTR 28 X 65 X 33 ASSY

DWG. NO. 030-129-20REF REV. 05

SCALE 1:1 CAD FILE 030-129-20REF.DWG SHEET 2 OF 2