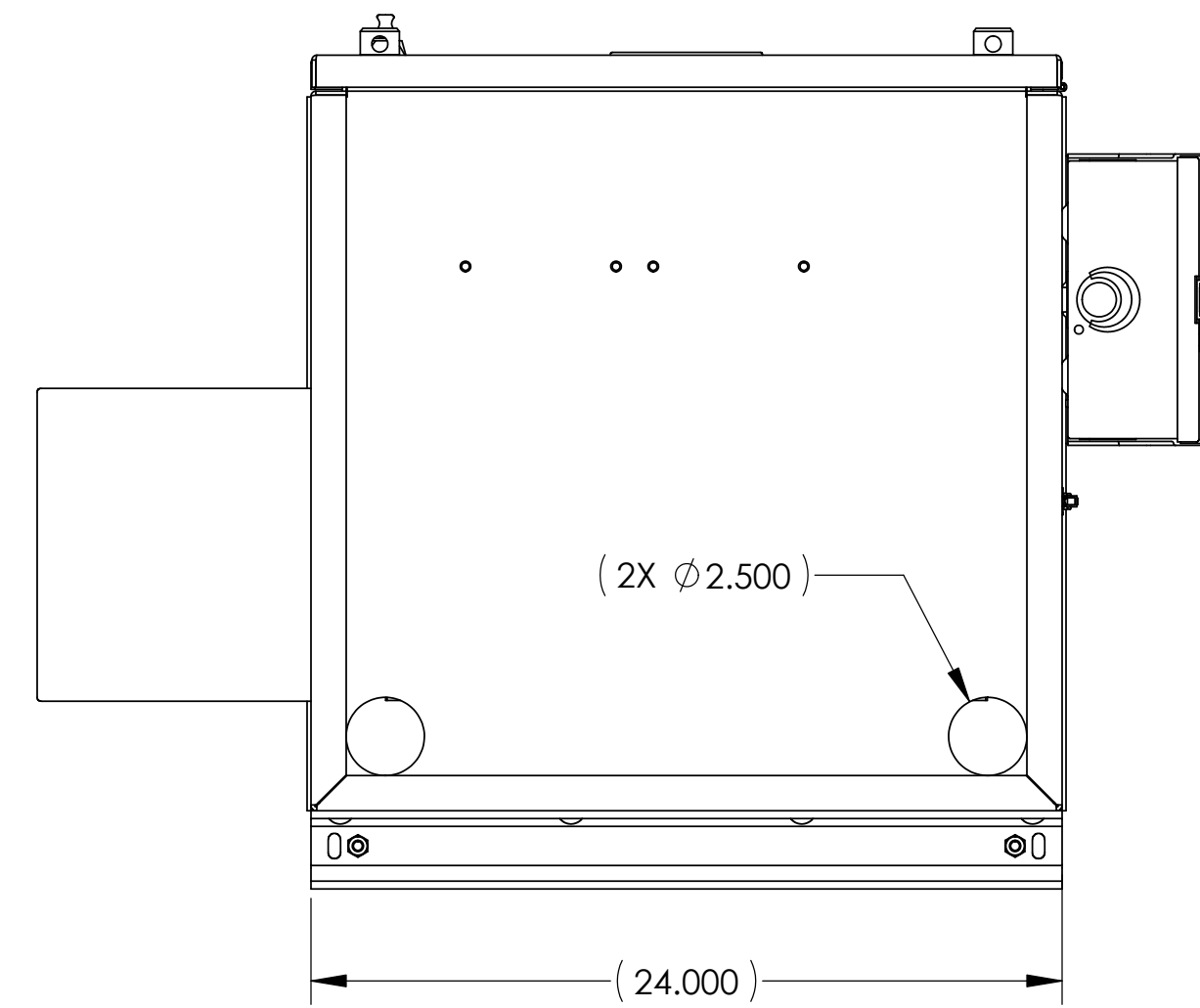
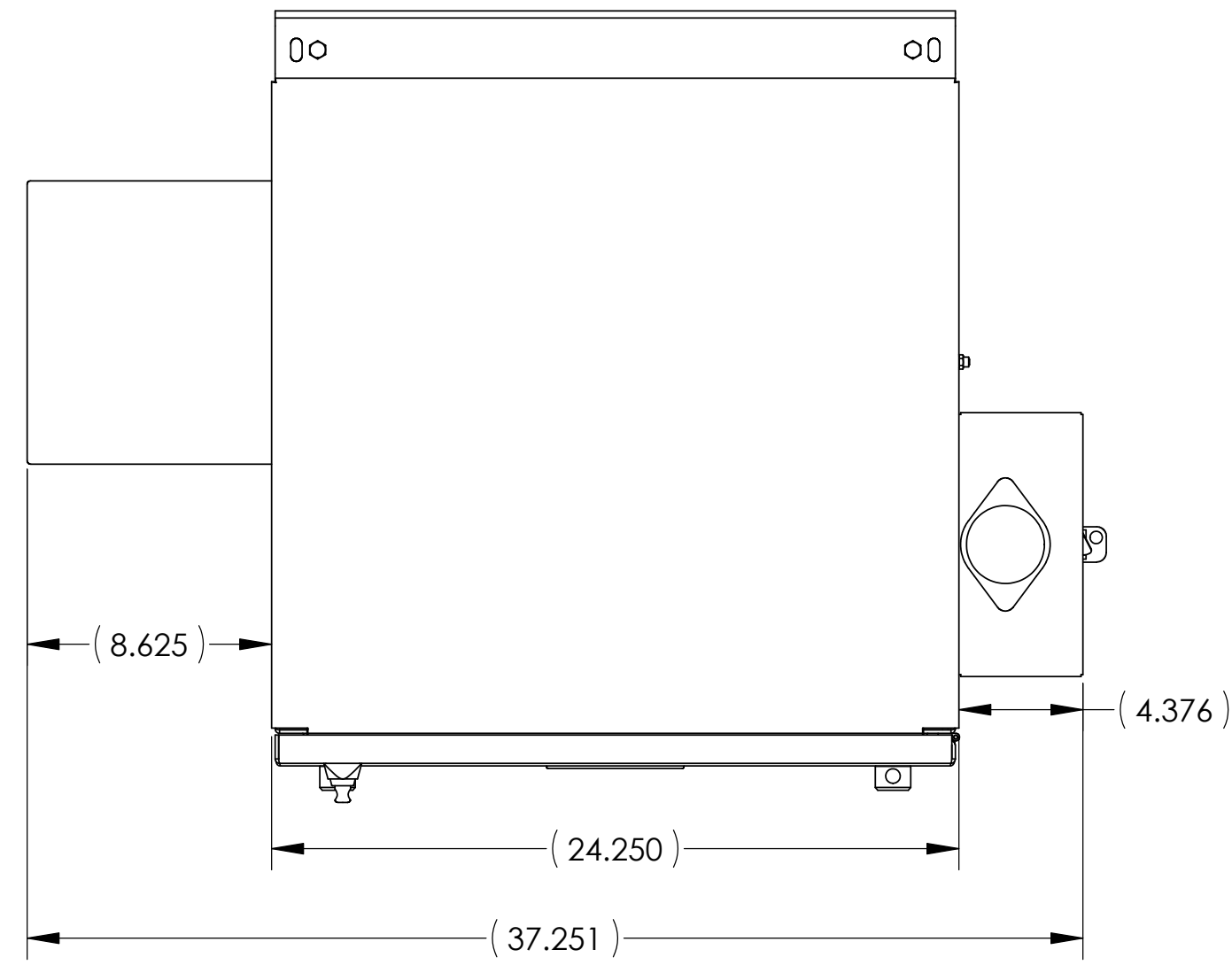


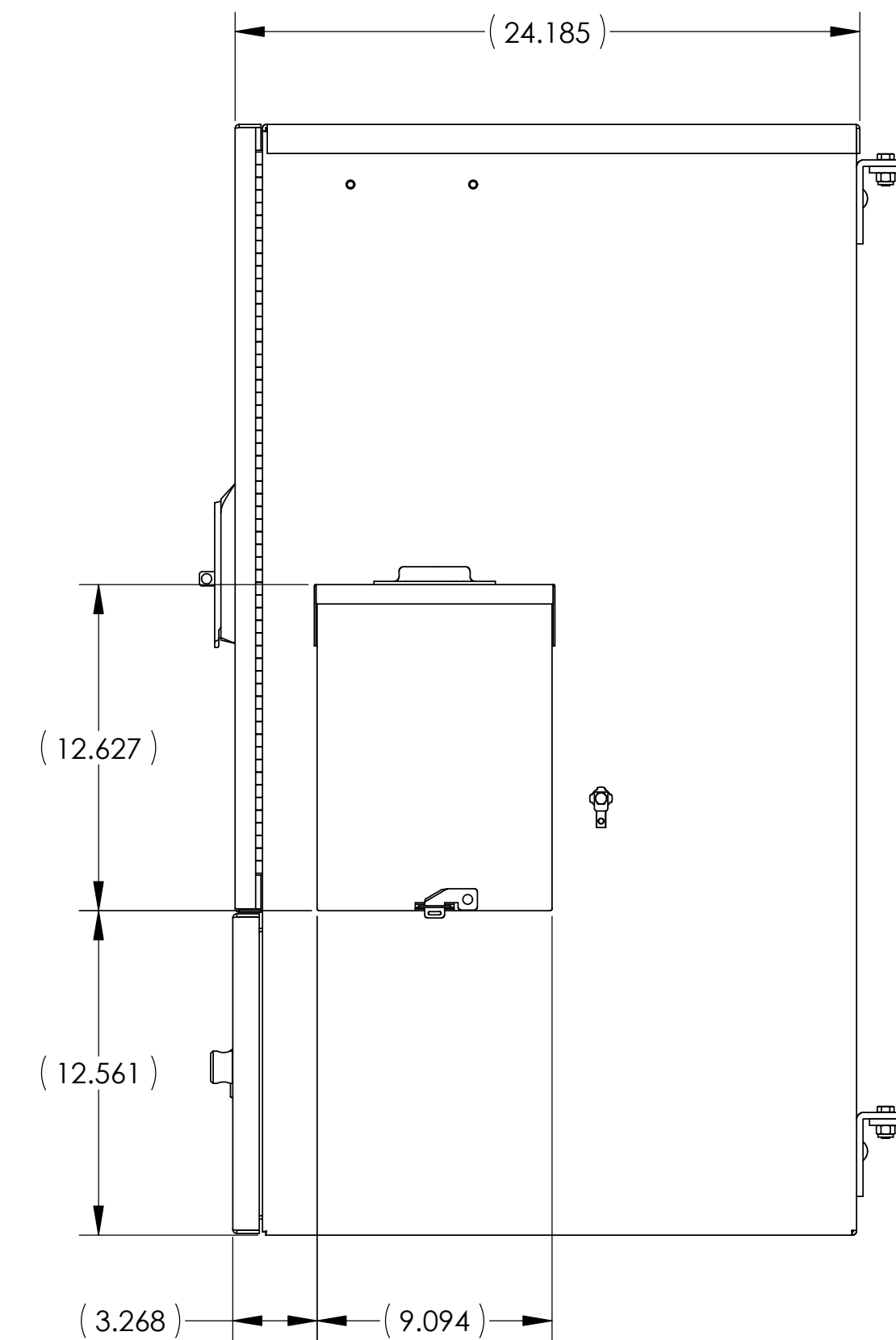
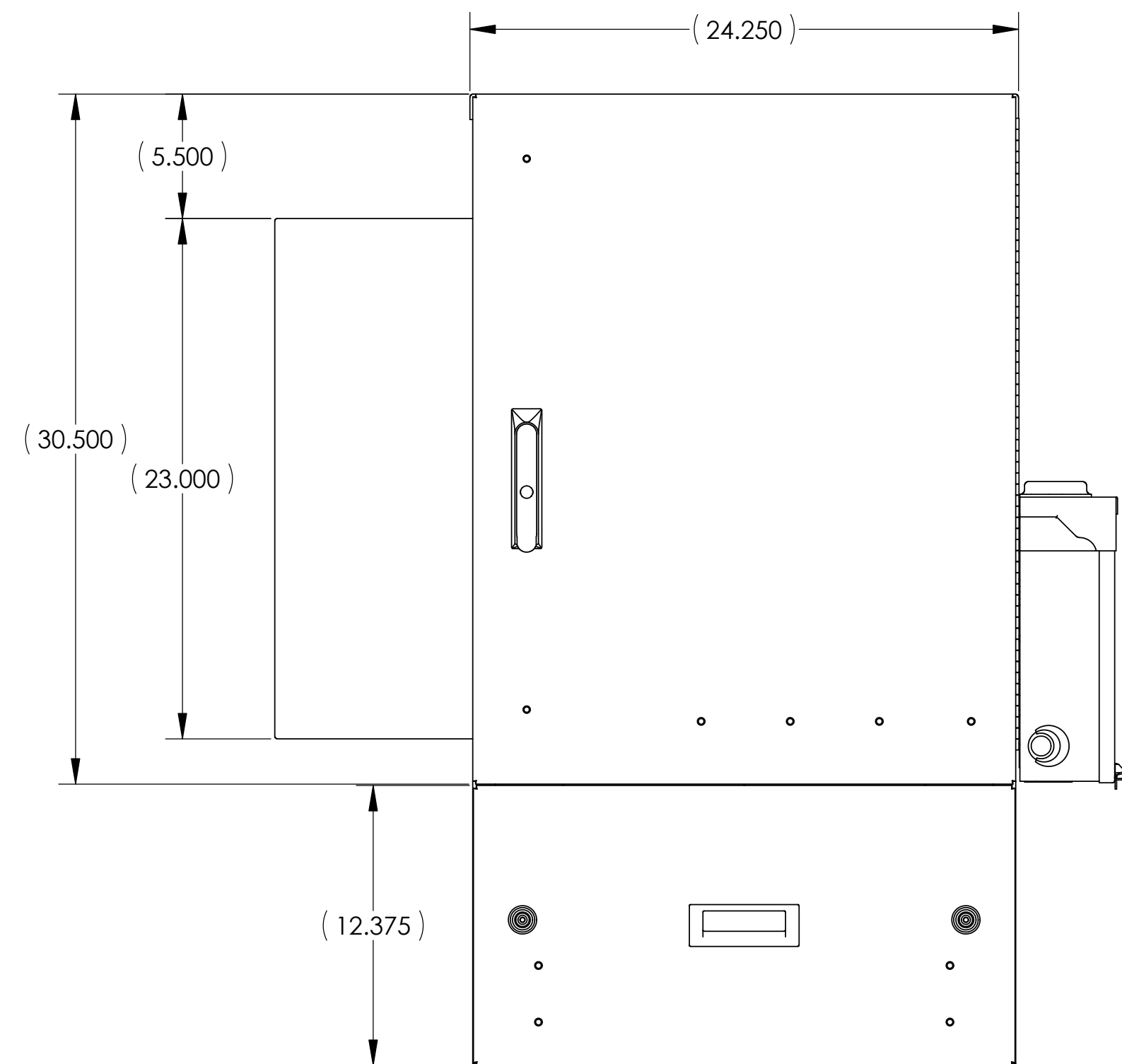
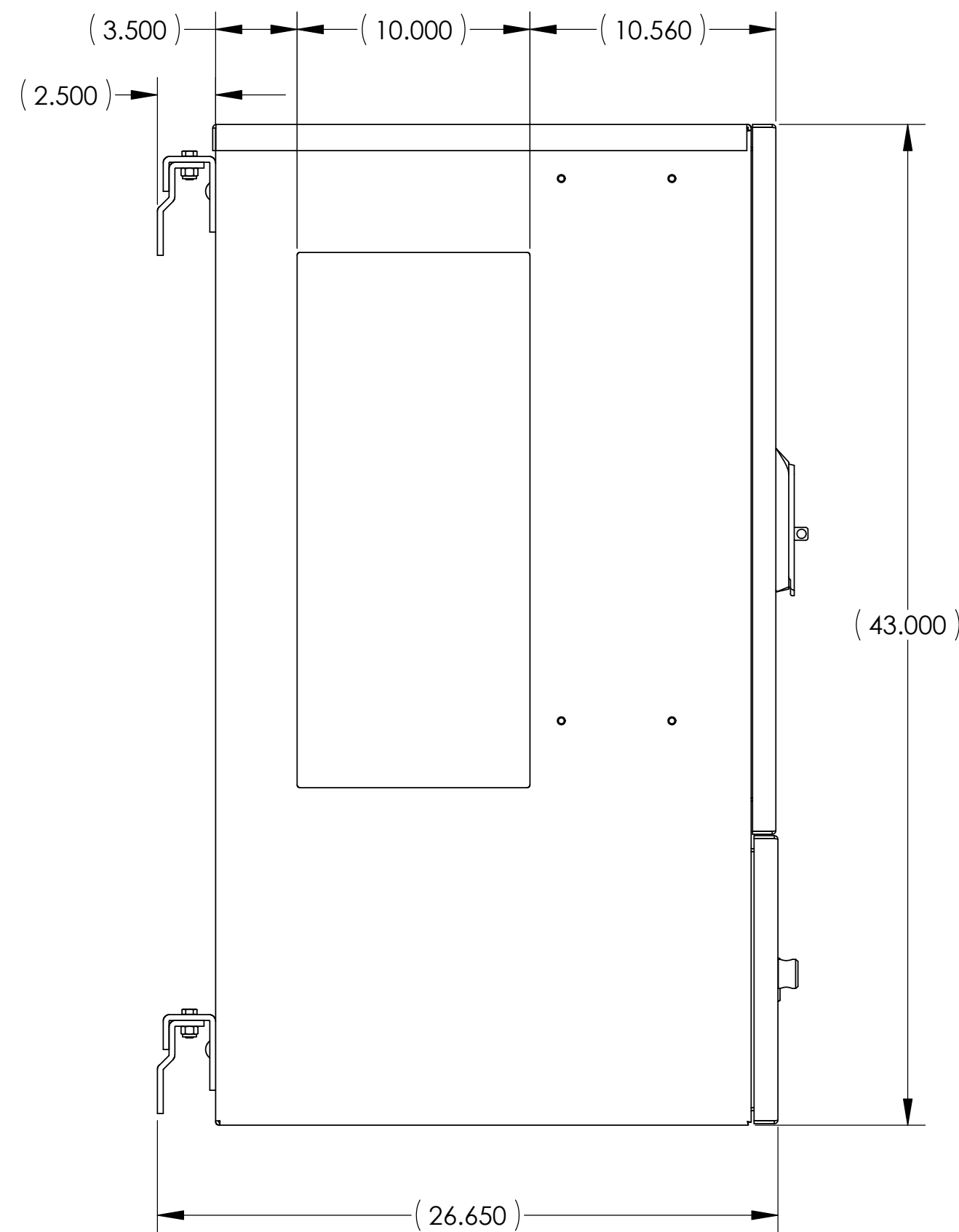
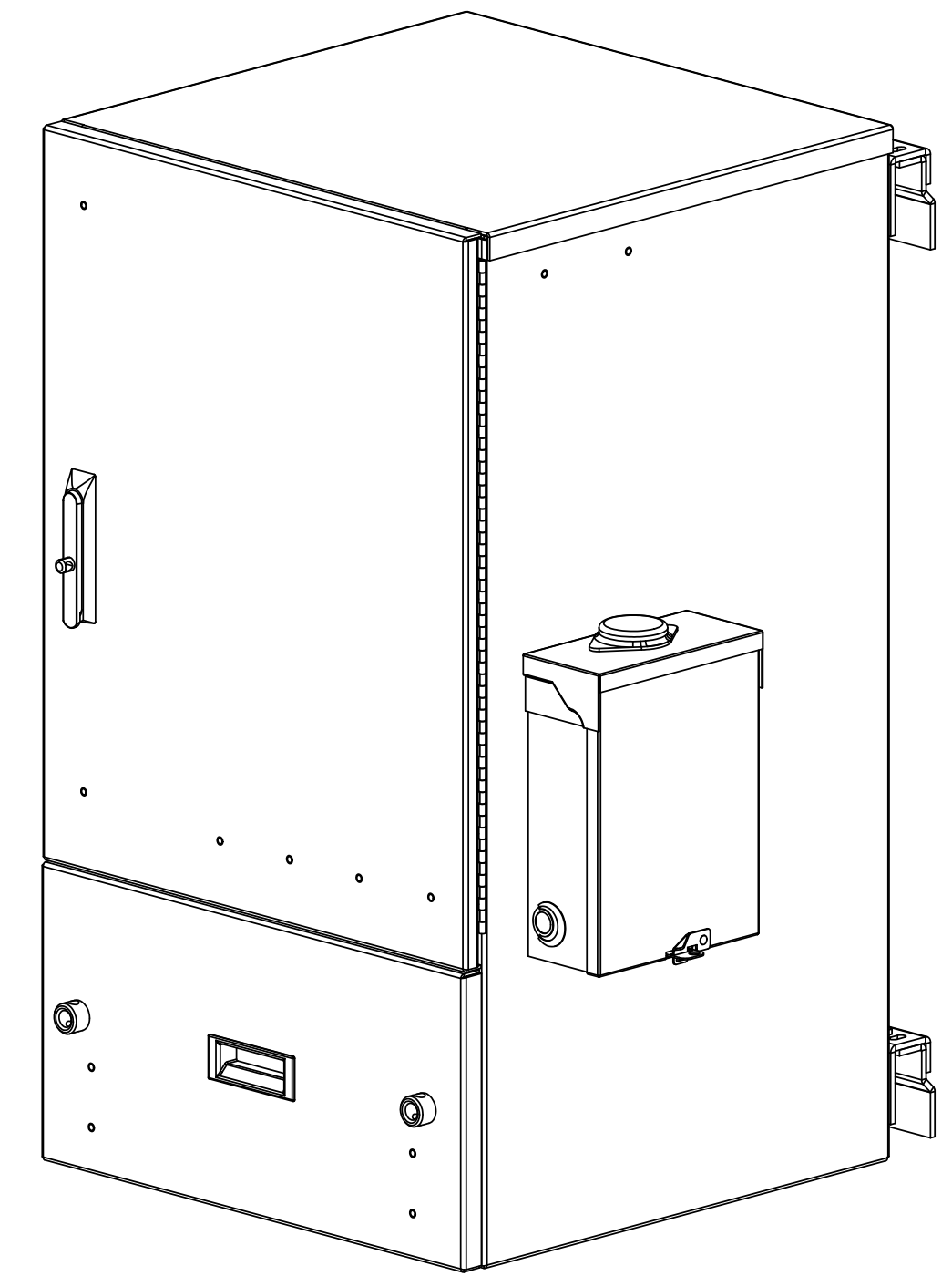
PRELIMINARY REVISIONS:
1A) 05/16/06 - LK - CREATED NEW PART DWG.

030-146-REF

REV.	ECN #	DESCRIPTION OF CHANGE	DATE	BY	MFG ENG
1A	N/A	PRELIMINARY RELEASE	05/16/06	L.P.K.	
01	N/A	INITIAL RELEASE			



BOTTOM VIEW



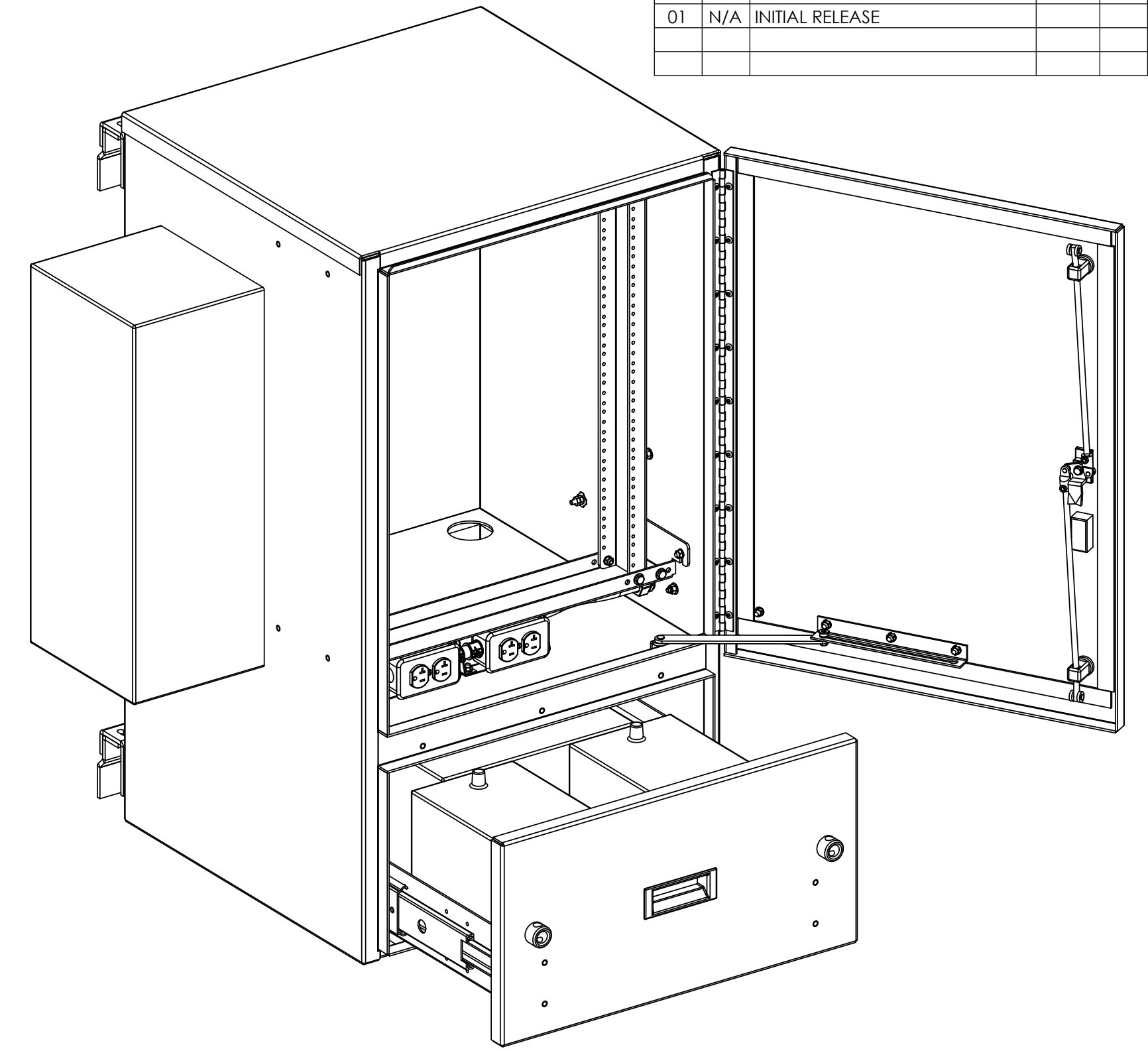
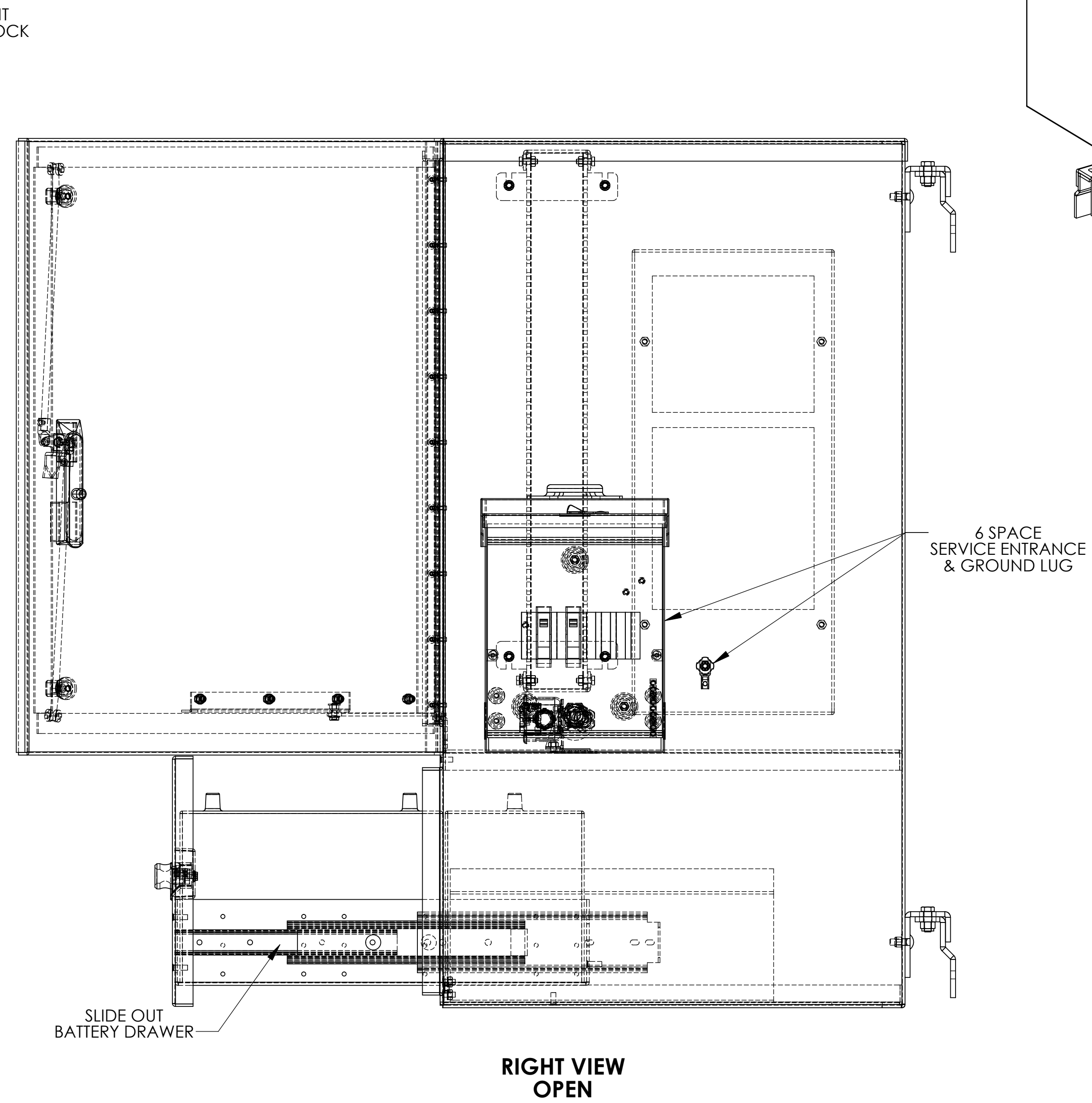
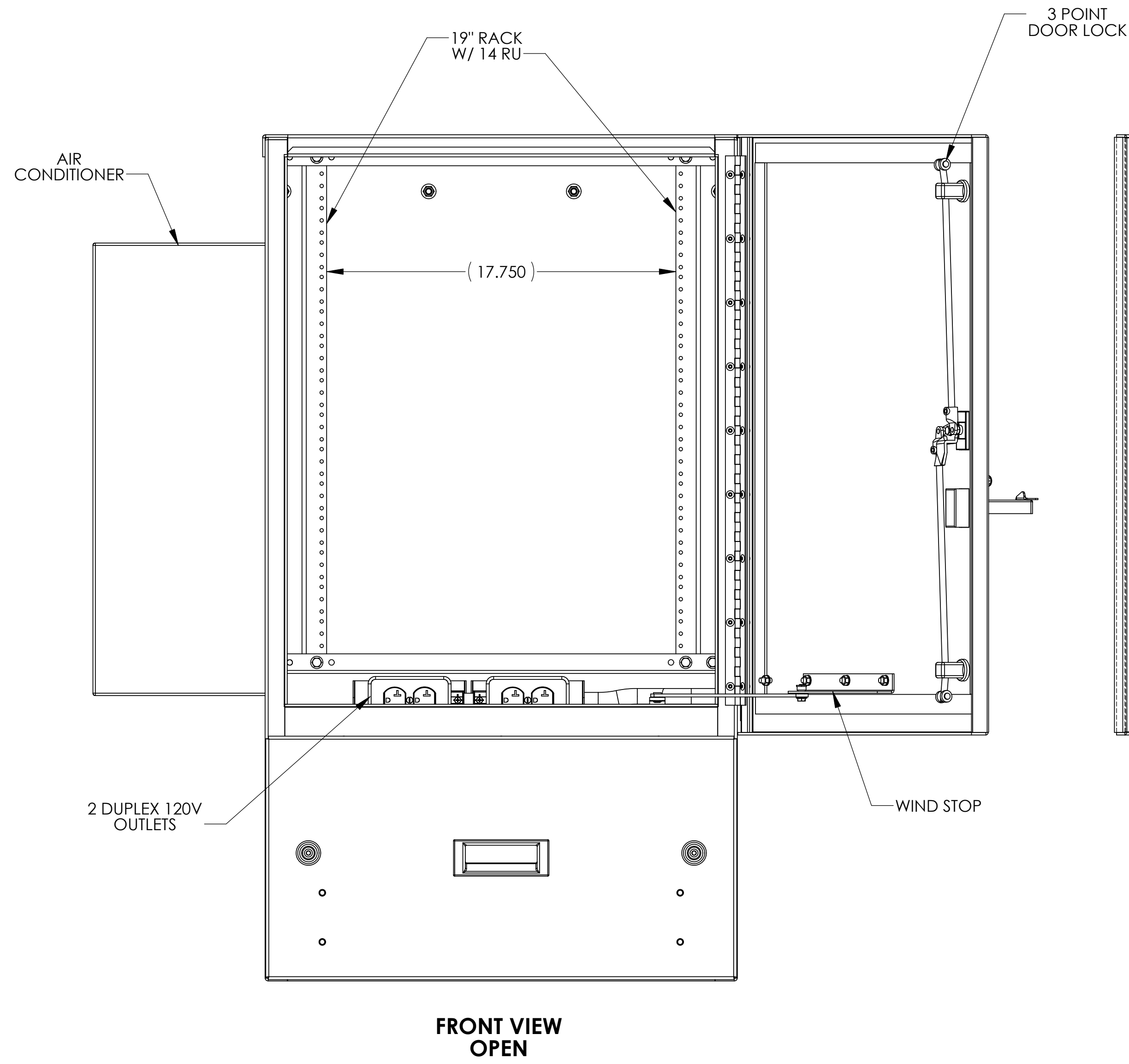
- NOTE:
1. THIS DRAWING IS FOR REFERENCE ONLY AND IS SUBJECT TO CHANGE BASED ON CUSTOMER REQUIREMENTS.
 2. THE UNIT BODY IS CONSTRUCTED OUT OF .125" - 1/8" ALUMINUM.
 3. BATTERY DRAWER HOLDS 3 GROUP-31 BATTERIES.
 4. THIS UNIT CAN BE EITHER POLE OR WALL MOUNTED. ADDITIONAL POLE MOUNT BRACKET IS NOT SHOWN.

Preliminary:
Date:
Engineer:

UNLESS OTHERWISE SPECIFIED DIMENSIONS ARE IN INCHES TOLERANCES ARE FRACTIONS: DECIMALS: ANGLES: ±1/32 .005 ±.010 ±1°		THE INFORMATION CONTAINED IN THIS DRAWING IS THE SOLE PROPERTY OF MULTILINK BROADBAND INC. ANY REPRODUCTION IN PART OR IN WHOLE WITHOUT WRITTEN PERMISSION FROM MULTILINK IS STRICTLY PROHIBITED.		Multilink Broadband
ALL FLATS TO BE ±.005		DRAWN BY: L.P.K. DATE: 05/16/2006		
NO SHARP EDGES OR BURRS ALLOWED		CHECKED BY: DATE:		WMO-14RU-N4-AC-BAT-BE ASSEMBLY ENVIRON-CAB BEIGE W/AC & 3 BATTERY DRAWER
MATERIAL: SEE BOM		MFG ENG: DATE:		
FINISH: ALMOND BEIGE PPT-500-SB		QUALITY ENG: DATE:		
DO NOT SCALE DRAWING		SCALE: 1/8"		DWG NO: 030-146-REF REV: 1A 1 OF 2

PRELIMINARY REVISIONS:
1A) 05/16/06 - LK - CREATED NEW PART DWG.

		030-146-REF	
REV.	ECN #	DESCRIPTION OF CHANGE	DATE
1A	N/A	PRELIMINARY RELEASE	05/16/06
01	N/A	INITIAL RELEASE	L.P.K.



Preliminary:
Date:
Engineer:

UNLESS OTHERWISE SPECIFIED DIMENSIONS ARE IN INCHES TOLERANCES ARE: FRACTIONS: DECIMALS: ANGLES: ±1/32 ±.005 ±1° ±.0005 ±.010 ±1°		THE INFORMATION CONTAINED IN THIS DRAWING IS THE SOLE PROPERTY OF MULTILINK BROADBAND INC. ANY REPRODUCTION IN PART OR IN WHOLE WITHOUT WRITTEN PERMISSION FROM MULTILINK IS STRICTLY PROHIBITED.		Multilink Broadband	
NO SHARP EDGES OR BURRS ALLOWED		DRAWN BY: L.P.K. DATE: 05/16/2006		WMO-14RU-N4-AC-BAT-BE ASSEMBLY ENVIRON-CAB BEIGE W/AC & 3 BATTERY DRAWER	
MATERIAL: SEE BOM	FINISH: ALMOND BEIGE PFT-500-S8	CHECKED: DATE:	DATE:	SCALE: 1:4.5	FILE: 030-146-REF
DO NOT SCALE DRAWING	QUALITY ENG:	DATE:	DATE:	DWG. NO: 030-146-REF	REV: 1A
				2 OF 2	