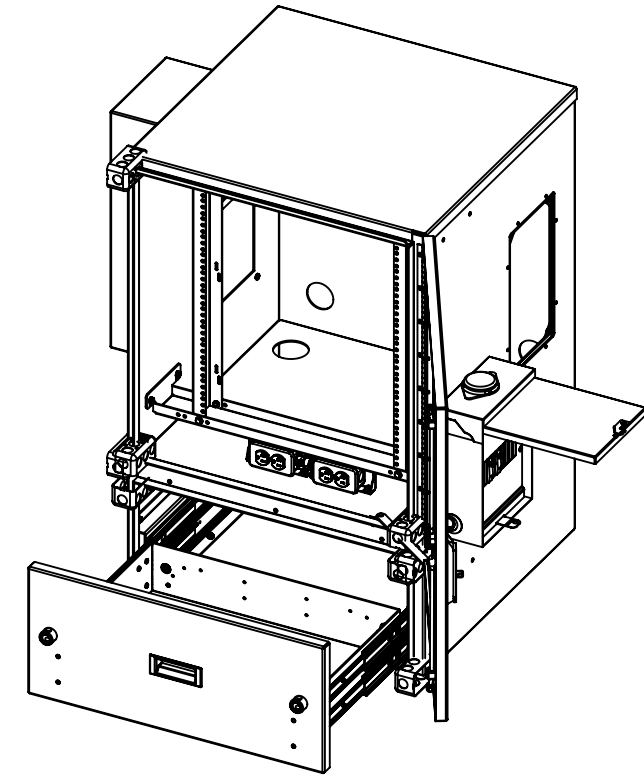
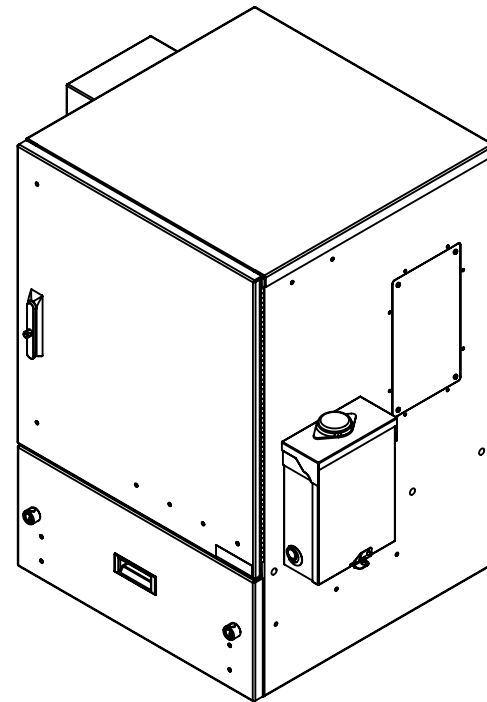
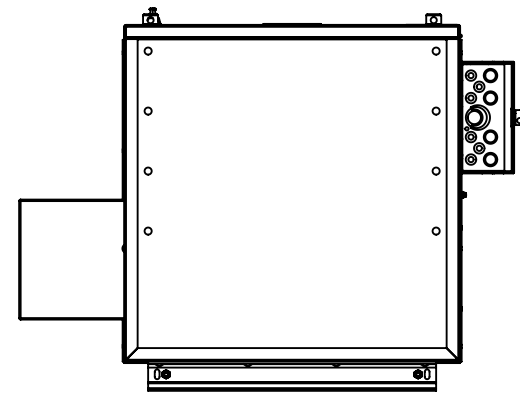
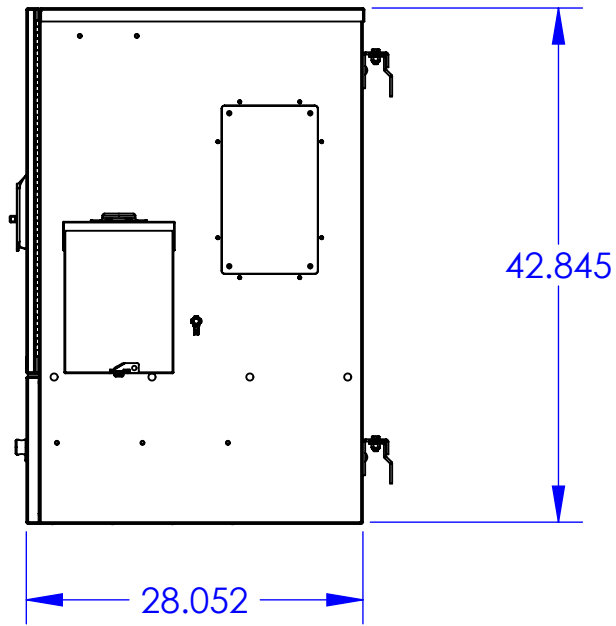
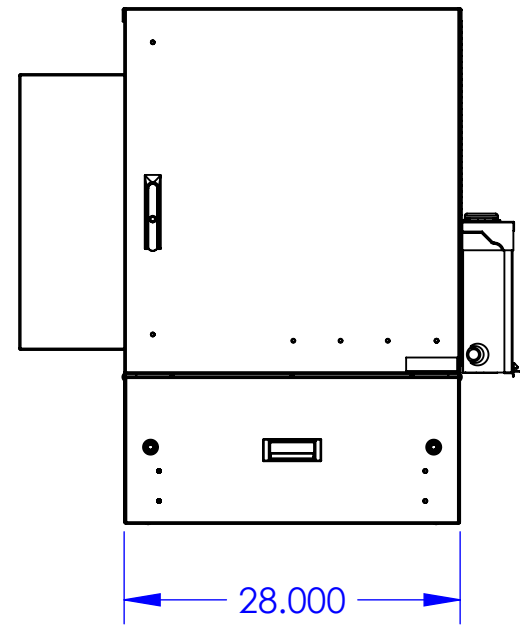


REV.	ECN #	DESCRIPTION OF CHANGE	DATE	BY	MFG ENG
01	N/A	INITIAL RELEASE	07/28/10	L.P.K.	



UNLESS OTHERWISE SPECIFIED  
DIMENSIONS ARE IN INCHES  
TOLERANCES ARE:  
FRACTIONS: DECIMALS: ANGLES:  
±1/32 .XX=±.03 ±1°  
.XXX=±.010

ALL FLATS TO BE ±.005

**NO SHARP EDGES OR  
BURRS ALLOWED**

MATERIAL:  
**SEE BOM**

FINISH:  
**ALMOND BEIGE**

DO NOT SCALE DRAWING

THIS DOCUMENT AND THE INFORMATION  
CONTAINED THEREIN ARE CONFIDENTIAL  
& PROPRIETARY TO MULTILINK AND MAY NOT  
BE COPIED OR DISCLOSED TO OTHERS  
WITHOUT A WRITTEN CONSENT FROM  
MULTILINK. THE INFORMATION IS TO BE  
PROMPTLY RETURNED TO MULTILINK UPON  
REQUEST.

DRAWN BY: DATE:  
**L.P.K.** **10/20/2006**

CHECKED: DATE:

MFG ENG: DATE:

QUALITY ENG: DATE:

**Multilink**

WMO-14RU-N4-AC-BAT-BE  
ASSEMBLY ENVIRON-CAB  
BEIGE W/AC & 3 BATTERY  
DRAWER

SIZE <b>B</b>	DWG. NO. 030-146-11-REF	REV. <b>01</b>
SCALE: 1:16	CAD FILE: 030-146-11-REF	SHEET: 1 OF 1