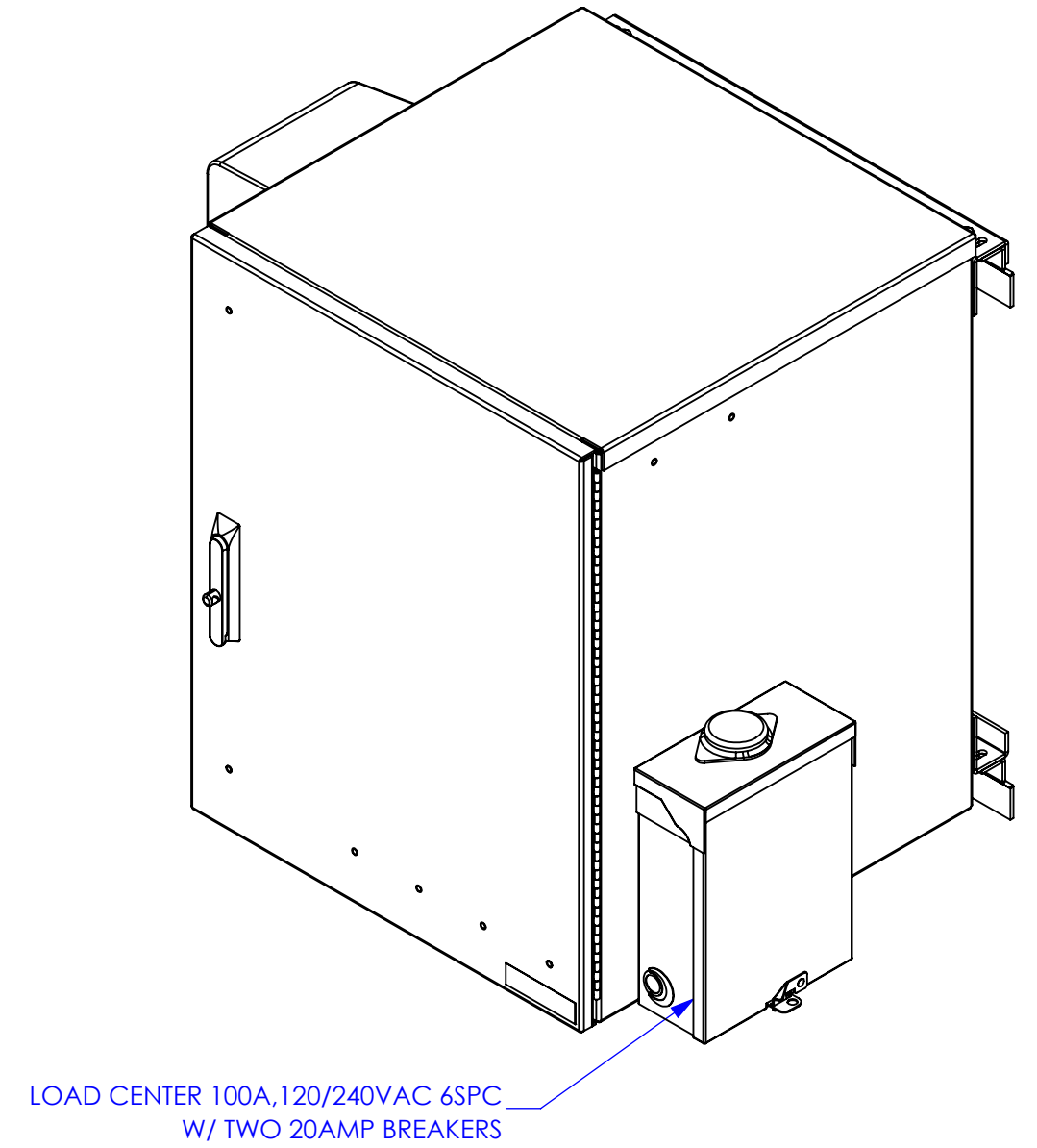
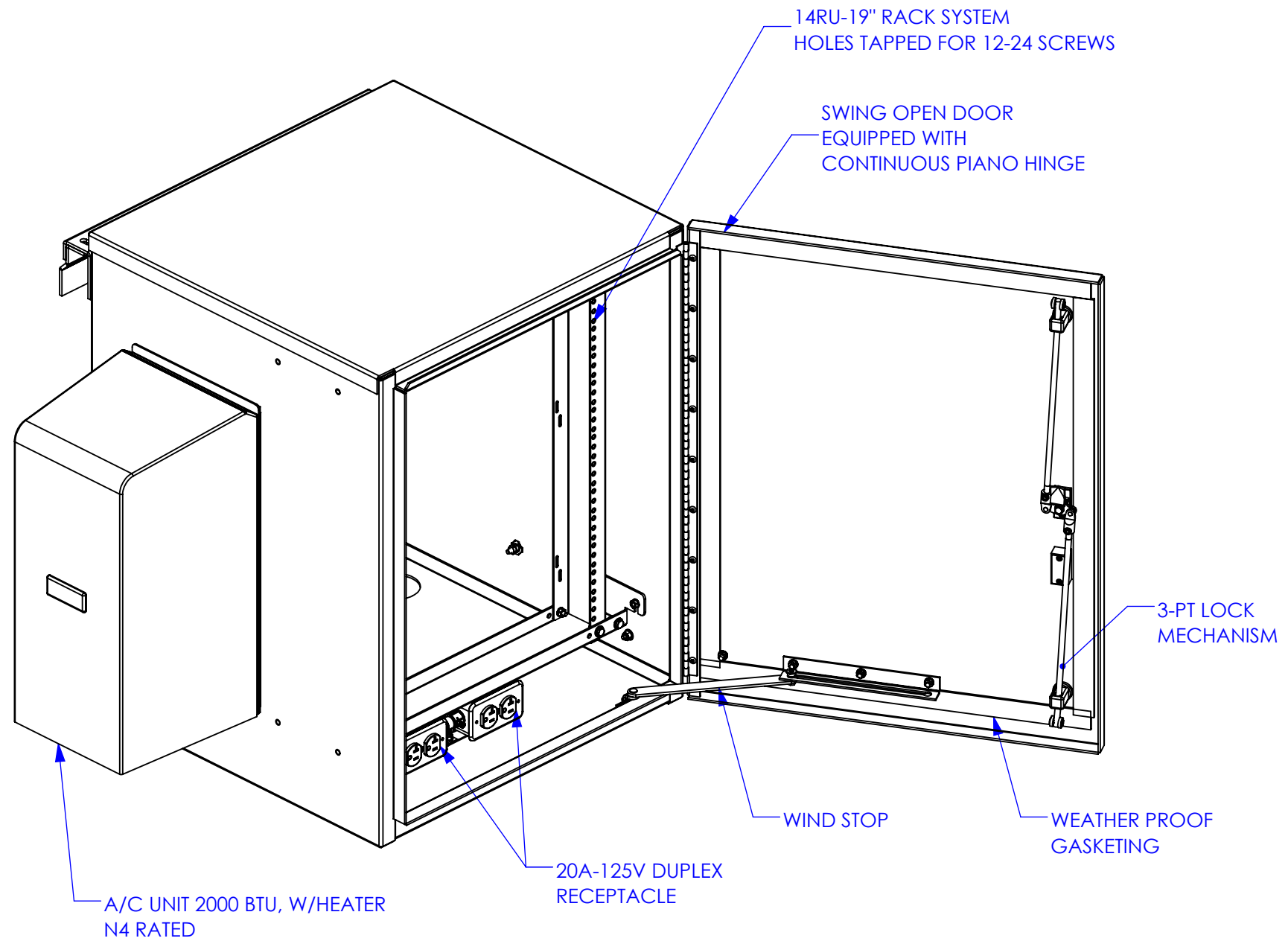


REV.	ECN #	DESCRIPTION OF CHANGE	DATE	BY	MFG ENG
01	N/A	INITIAL RELEASE	07/08/09	SEW	
02	2111	UPDATED ITEM #6	07/29/10	L.P.K	
03	2649	MODIFIED ITEMS / SEE ECN	03/23/12	L.P.K	



- NOTE:
1. ALUMINUM CONSTRUCTION.
 2. CABINET IS NEMA 4 COMPLIANT.
 3. COLOR: PROTEC GRAY.

UNLESS OTHERWISE SPECIFIED DIMENSIONS ARE IN INCHES TOLERANCES ARE: FRACTIONS: DECIMALS: ANGLES: ±1/32 .XX=±.03 ±1° .XXX=±.010		THIS DOCUMENT AND THE INFORMATION CONTAINED THEREIN ARE CONFIDENTIAL & PROPRIETARY TO MULTILINK AND MAY NOT BE COPIED OR DISCLOSED TO OTHERS WITHOUT A WRITTEN CONSENT FROM MULTILINK. THE INFORMATION IS TO BE PROMPTLY RETURNED TO MULTILINK UPON REQUEST.		Multilink	
ALL FLATS TO BE ±.005		DRAWN BY: DATE: SEW 07/08/2009			
NO SHARP EDGES OR BURRS ALLOWED		CHECKED: DATE:		WMO-14RU-N4-AC-PG ASSY W/2000BTU AC & 500W HEATER	
MATERIAL: SEE BOM		MFG ENG: DATE:			
FINISH: PROTEC GRAY		QUALITY ENG: DATE:		SIZE B	DWG. NO. 030-152-20REF
DO NOT SCALE DRAWING		SCALE: 1:8		CAD FILE: 030-152-20REF	REV. 03

