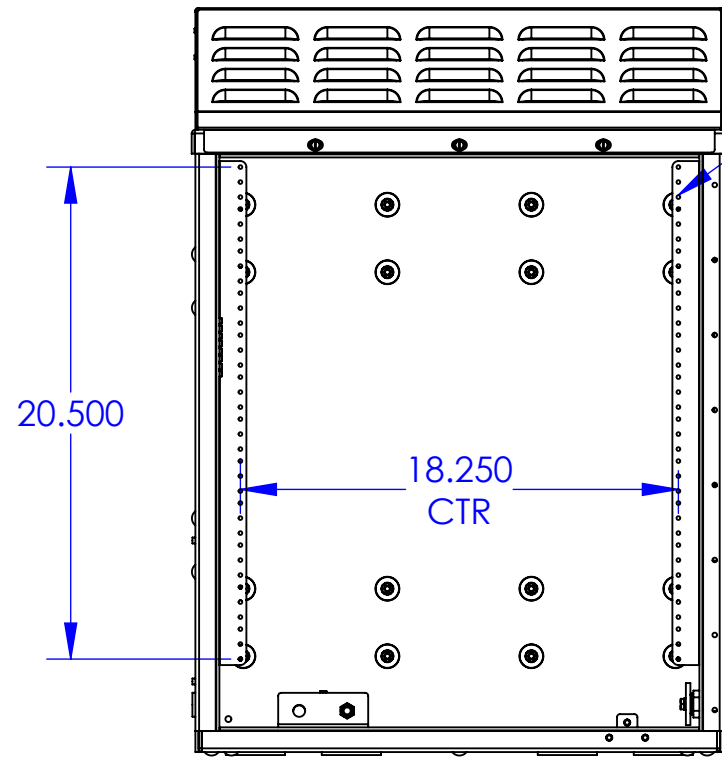


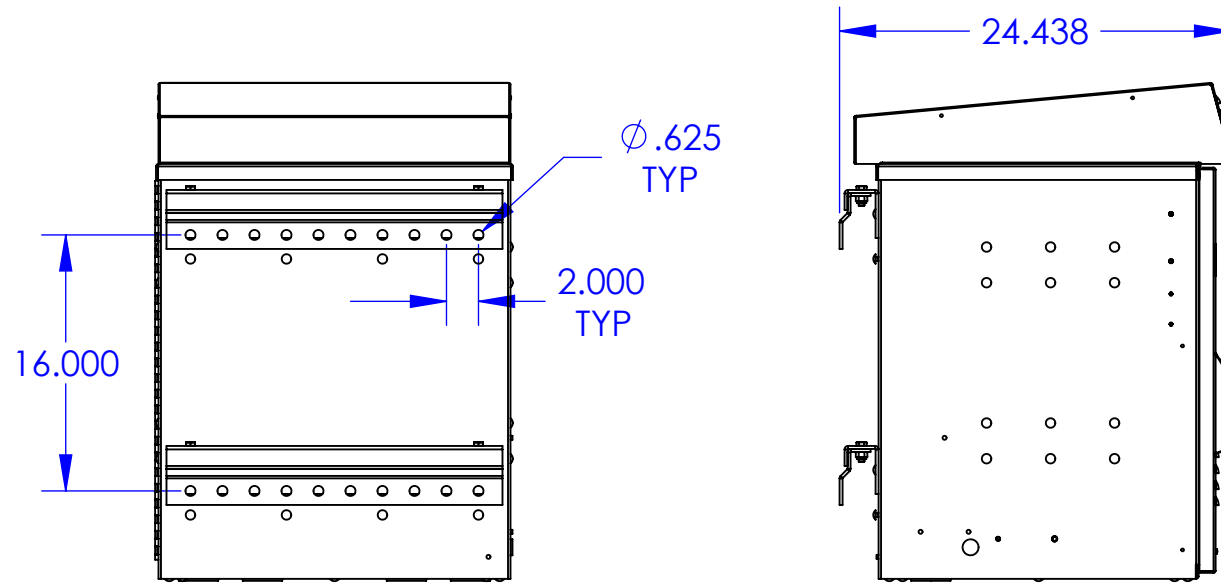


REV.	ECN #	DESCRIPTION OF CHANGE	DATE	BY	MFG ENG
01	N/A	INITIAL RELEASE	02/15/10	SJK	
02	2507	SEE ECN 2507 FOR DETAILS	09/26/11	SJK	
03	3025	CHANGED ITEM #42	04/15/13	L.P.K.	
04	3676	REPLACED 630-247-10 w/ 630-225-10	09/16/15	CN	

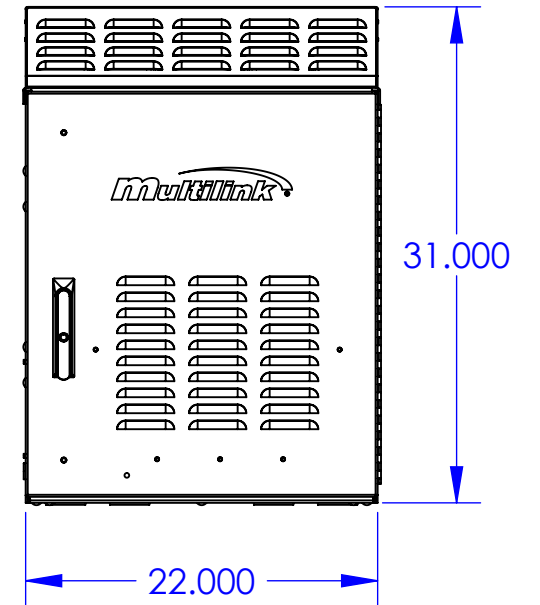


19" RACK SYSTEM

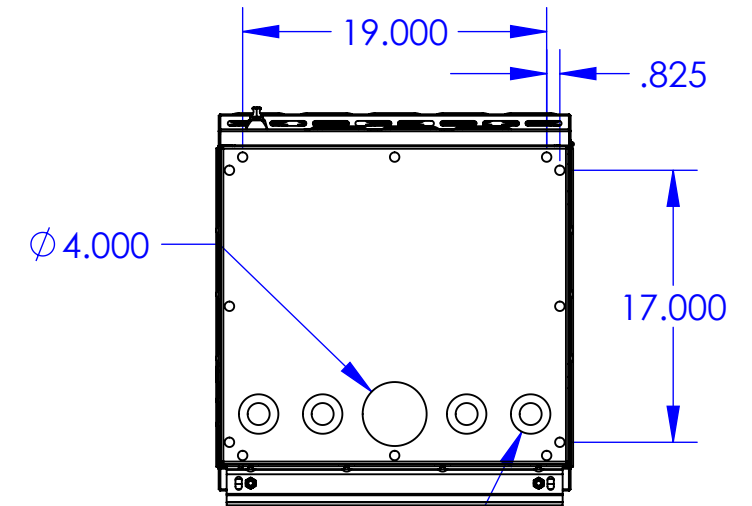
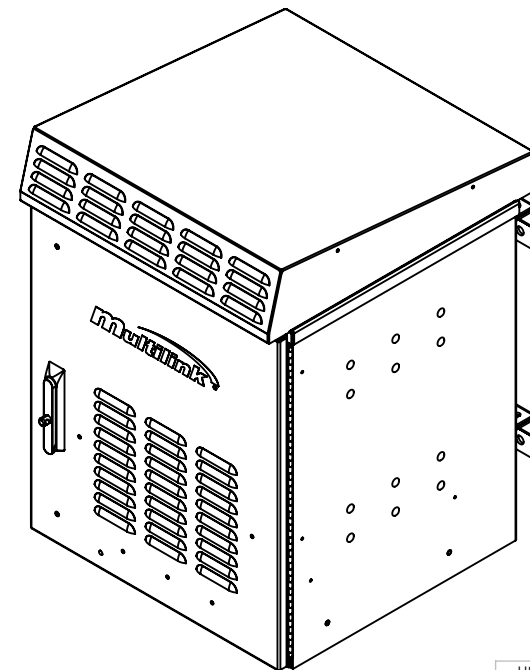
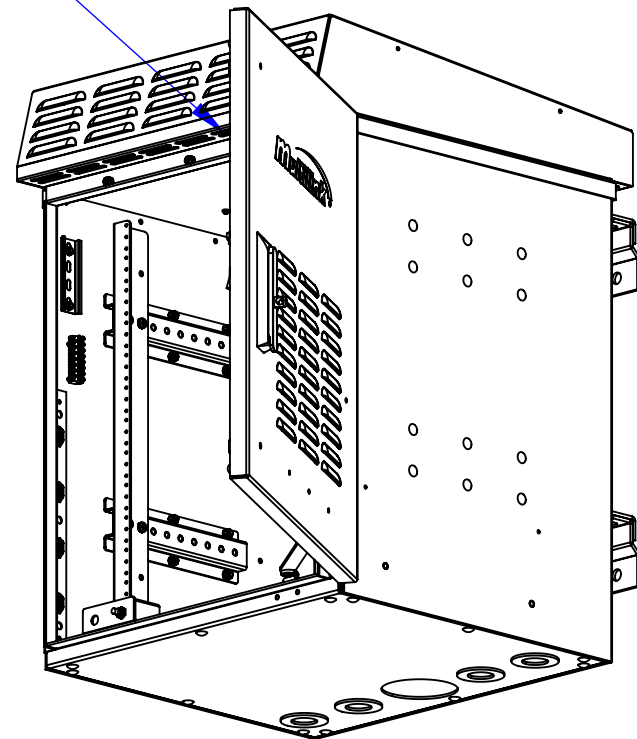
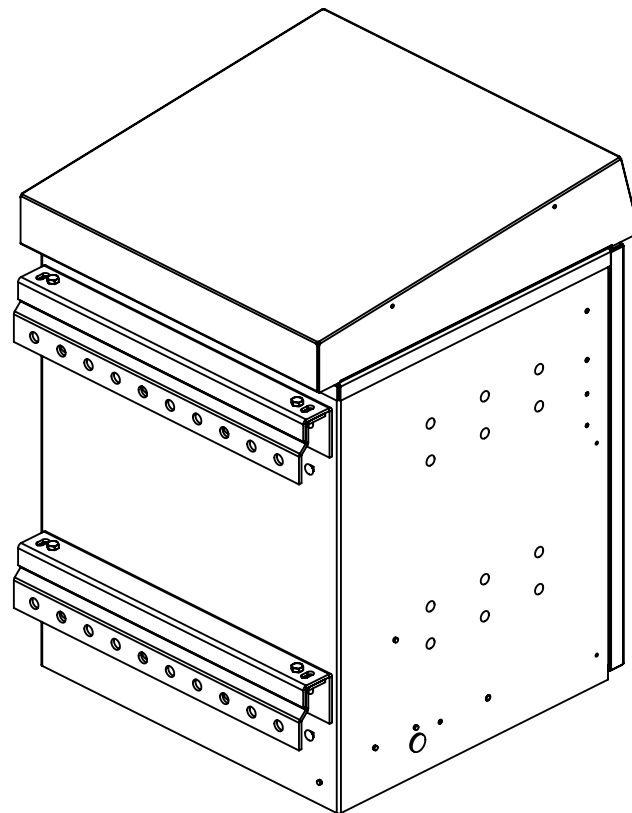
(DOOR HIDDEN FOR CLARITY)



MOUNTING CONFIG



VENTILATION SLOTS BACKED WITH BUG SCREEN FOR AIR CIRCULATION



4 X ( $\phi$ 2.468 X  $\phi$ 1.375 KO)

UNLESS OTHERWISE SPECIFIED DIMENSIONS ARE IN INCHES TOLERANCES ARE:  
 FRACTIONS:  $\pm 1/32$   
 DECIMALS: .XX =  $\pm .03$ , .XXX =  $\pm .010$   
 ANGLES:  $\pm 1^\circ$   
 ALL FLATS TO BE  $\pm .005$   
**NO SHARP EDGES OR BURRS ALLOWED**  
 MATERIAL: SEE B.O.M.  
 FINISH: ALMOND BEIGE  
 DO NOT SCALE DRAWING

THIS DOCUMENT AND THE INFORMATION CONTAINED THEREIN ARE CONFIDENTIAL & PROPRIETARY TO MULTILINK AND MAY NOT BE COPIED OR DISCLOSED TO OTHERS WITHOUT A WRITTEN CONSENT FROM MULTILINK. THE INFORMATION IS TO BE PROMPTLY RETURNED TO MULTILINK UPON REQUEST.  
 DRAWN BY: SJK  
 CHECKED: SJK  
 MFG ENG: SJK  
 QUALITY ENG: SJK  
 DATE: 02/15/10

**Multilink**

RACK ENCL BE 12RU  
 WALL MNT/UNISTRUT MNT

SIZE: B DWG. NO.: 030-180-25REF REV.: 04  
 SCALE: 1:8 CAD FILE: 030-180-25REF SHEET: 2 OF 2