

REV.	ECN #	DESCRIPTION OF CHANGE	DATE	BY	MFG ENG
04	3025	SEE ECN 3025 FOR DETAILS	04/15/13	SJK	

VENTILATION LOUVERS  
BACKED WITH  
BUG SCREEN  
AND AIR FILTER

SWING OPEN DOOR  
EQUIPPED WITH  
CONTINUOUS  
PIANO HINGE

SERVICE ENTRANCE  
W/ONE 20A BREAKER

ROOF REMOVABLE  
W/EQUIPMENT FULLY  
LOADED IN THE CABINET

3-PT LOCK  
MECHANISM

4" DIN RAIL

8 POSITION  
TERMINAL BLOCK

PREMIUM WEATHER  
PROOF GASKETING  
INCLUDED  
(NOT SHOWN)

RACK RAILS  
ADJUSTABLE AT  
1" INCREMENTS

BRIDGE LANCE STRIP  
FOR FIBER / CABLE  
MANAGEMENT

WINDSTOP

COPPER BUS BAR

GROUND LUG

OUTLET WITH ONE  
20A-125V RECEPTACLE

PRESSURE SWITCH  
FOR DOOR ALARM

AIR FILTER BRACKET

UNLESS OTHERWISE SPECIFIED  
DIMENSIONS ARE IN INCHES  
TOLERANCES ARE:  
FRACTIONS: DECIMALS: ANGLES:  
±1/32 .XX±.03 ±1°  
.XXX±.010  
ALL FLATS TO BE ±.005  
**NO SHARP EDGES OR  
BURRS ALLOWED**  
MATERIAL:  
SEE B.O.M  
FINISH:  
ALMOND BEIGE  
DO NOT SCALE DRAWING

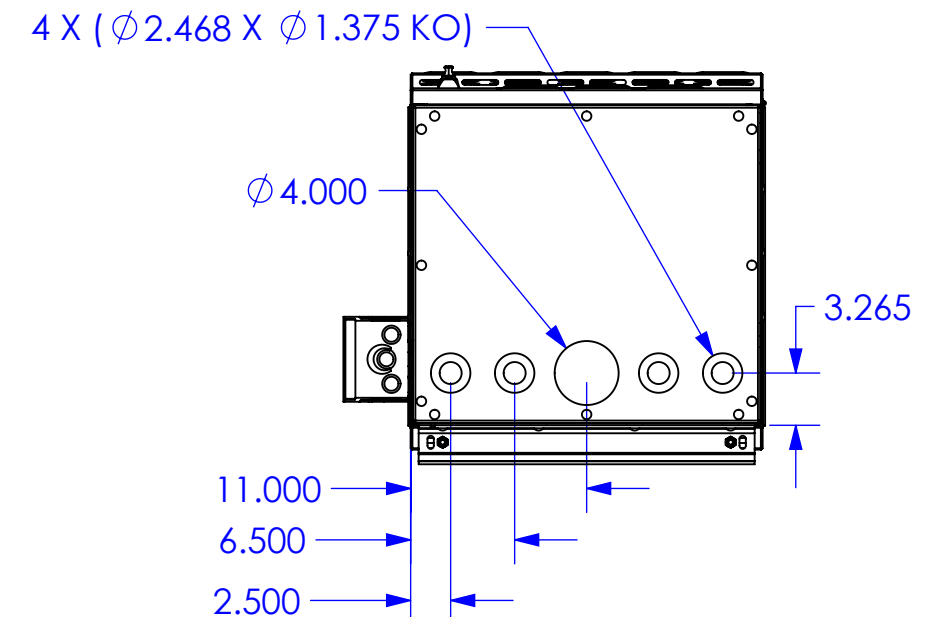
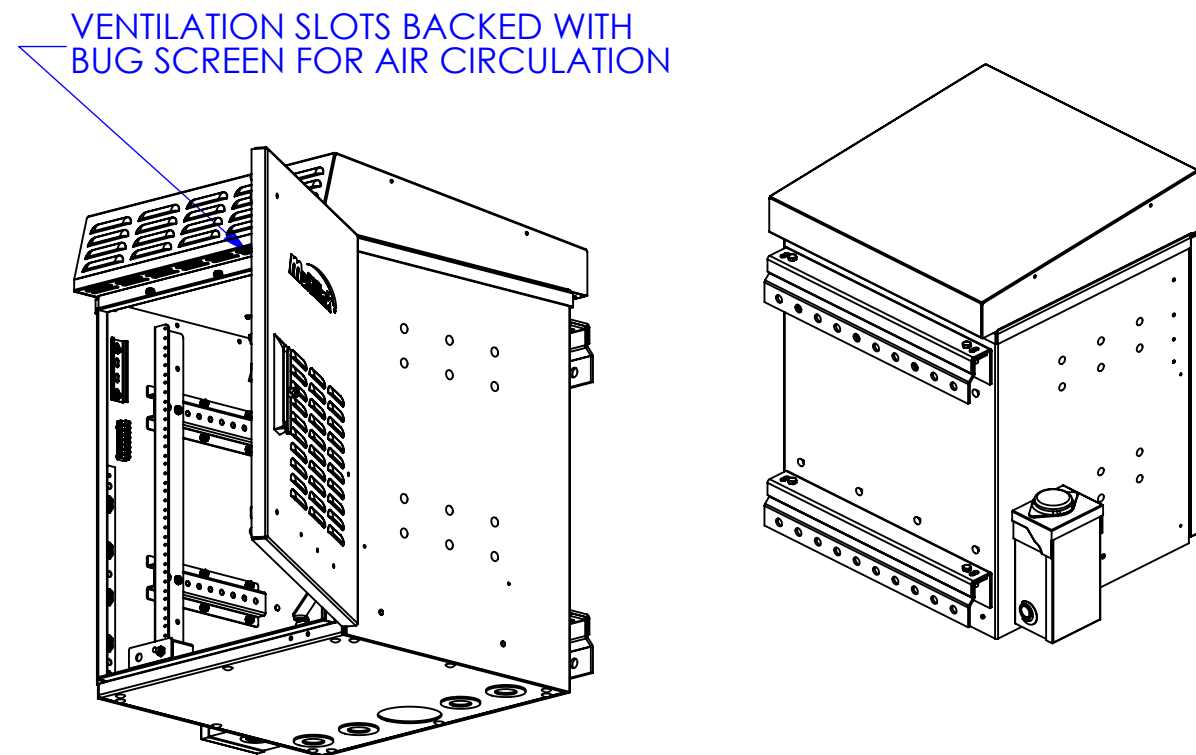
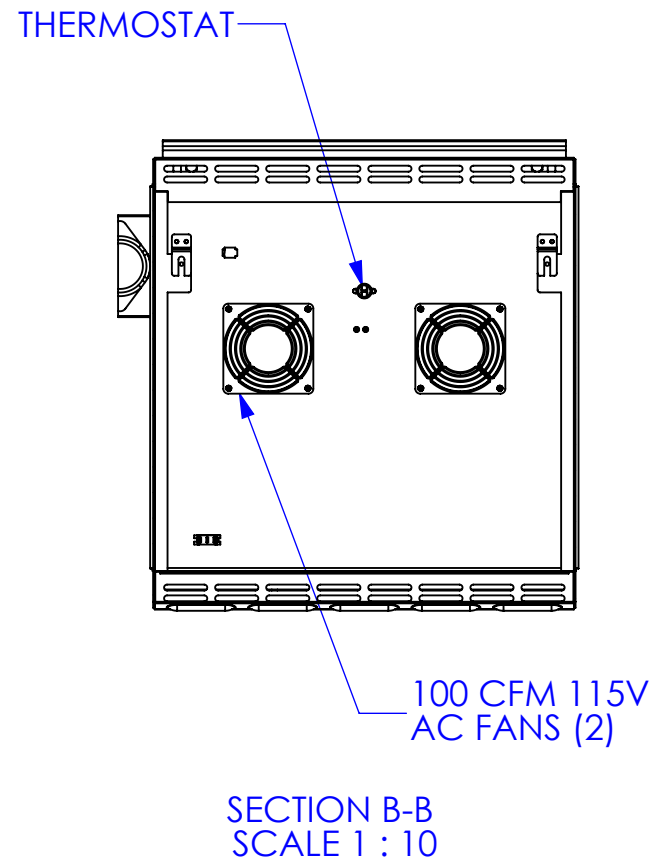
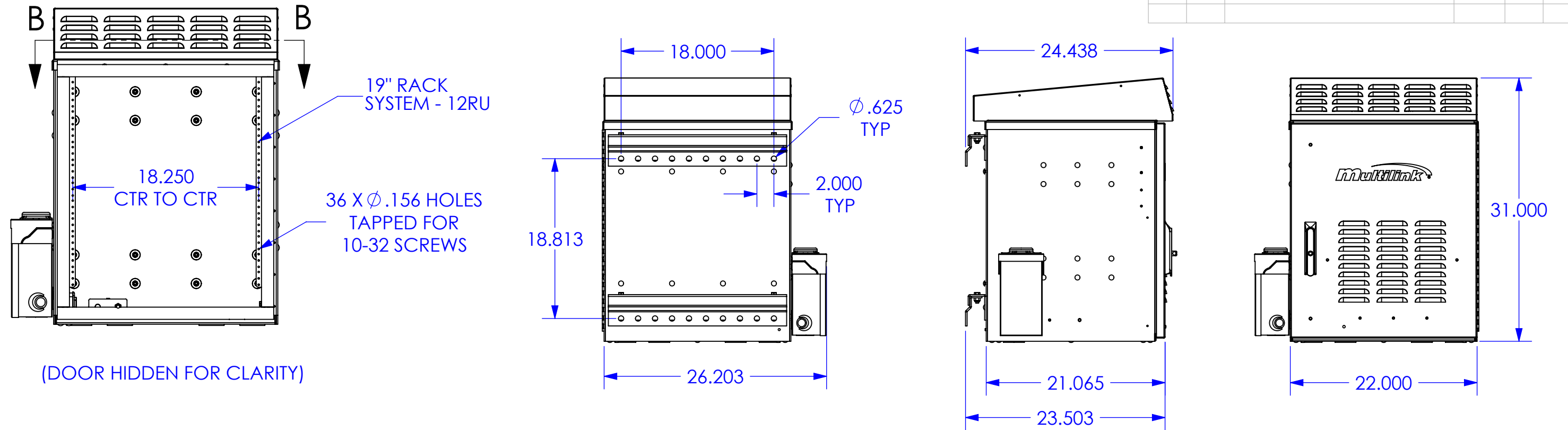
THIS DOCUMENT AND THE INFORMATION  
CONTAINED THEREIN ARE CONFIDENTIAL  
& PROPRIETARY TO MULTILINK AND MAY NOT  
BE COPIED OR DISCLOSED TO OTHERS  
WITHOUT A WRITTEN CONSENT FROM  
MULTILINK. THE INFORMATION IS TO BE  
PROMPTLY RETURNED TO MULTILINK UPON  
REQUEST.  
DRAWN BY: DATE:  
SJK 07/28/09  
CHECKED: DATE:  
MFG ENG: DATE:  
QUALITY ENG: DATE:

**Multilink**

RACK ENCL BE 12RU  
UNISTRUT MNT  
W/SERVICE ENT

SIZE DWG. NO. REV.  
**B** 030-180-40-03REF **05**  
SCALE: 1:8 CAD FILE: 030-180-40-03REF SHEET: 1 OF 2

REV.	ECN #	DESCRIPTION OF CHANGE	DATE	BY	MFG ENG
04	3025	SEE ECN 3025 FOR DETAILS	04/15/13	SJK	



UNLESS OTHERWISE SPECIFIED DIMENSIONS ARE IN INCHES TOLERANCES ARE:

FRACTIONS: DECIMALS: ANGLES:

±1/32 .XX±.03 ±1°

.XXX±.010

ALL FLATS TO BE ±.005

**NO SHARP EDGES OR BURRS ALLOWED**

MATERIAL: SEE B.O.M

FINISH: ALMOND BEIGE

DO NOT SCALE DRAWING

THIS DOCUMENT AND THE INFORMATION CONTAINED THEREIN ARE CONFIDENTIAL & PROPRIETARY TO MULTILINK AND MAY NOT BE COPIED OR DISCLOSED TO OTHERS WITHOUT A WRITTEN CONSENT FROM MULTILINK. THE INFORMATION IS TO BE PROMPTLY RETURNED TO MULTILINK UPON REQUEST.

DRAWN BY: SJK DATE: 07/28/09

CHECKED: DATE:

MFG ENG: DATE:

QUALITY ENG: DATE:

**Multilink**

RACK ENCL BE 12RU UNISTRUT MNT W/SERVICE ENT

SIZE **B** DWG. NO. 030-180-40-03REF REV. 05

SCALE: 1:8 CAD FILE: 030-180-40-03REF SHEET: 2 OF 2