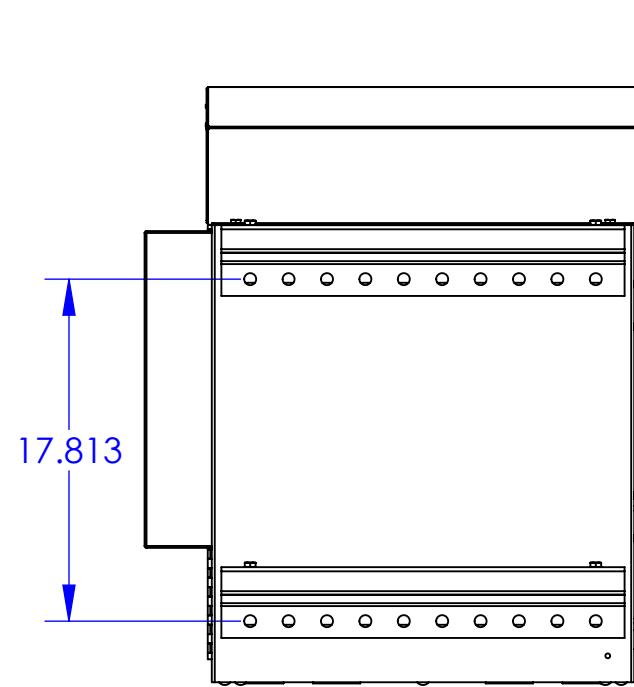
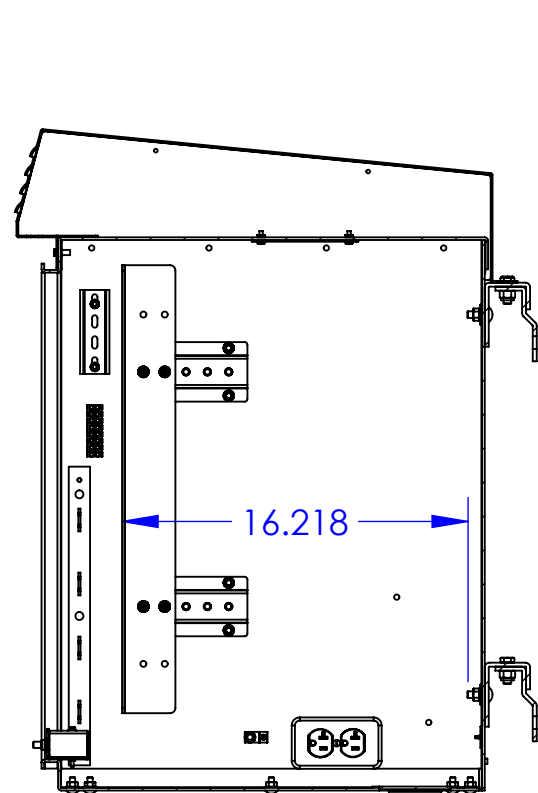
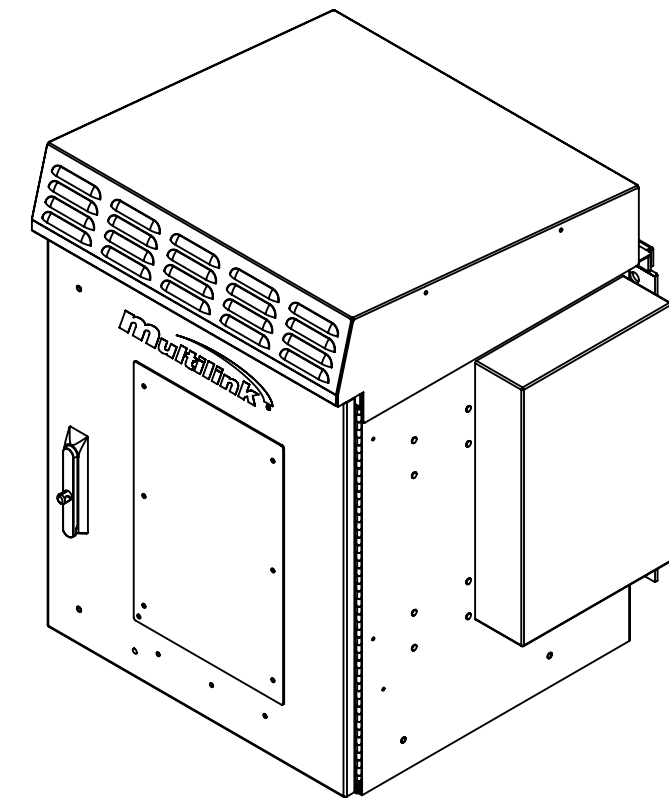
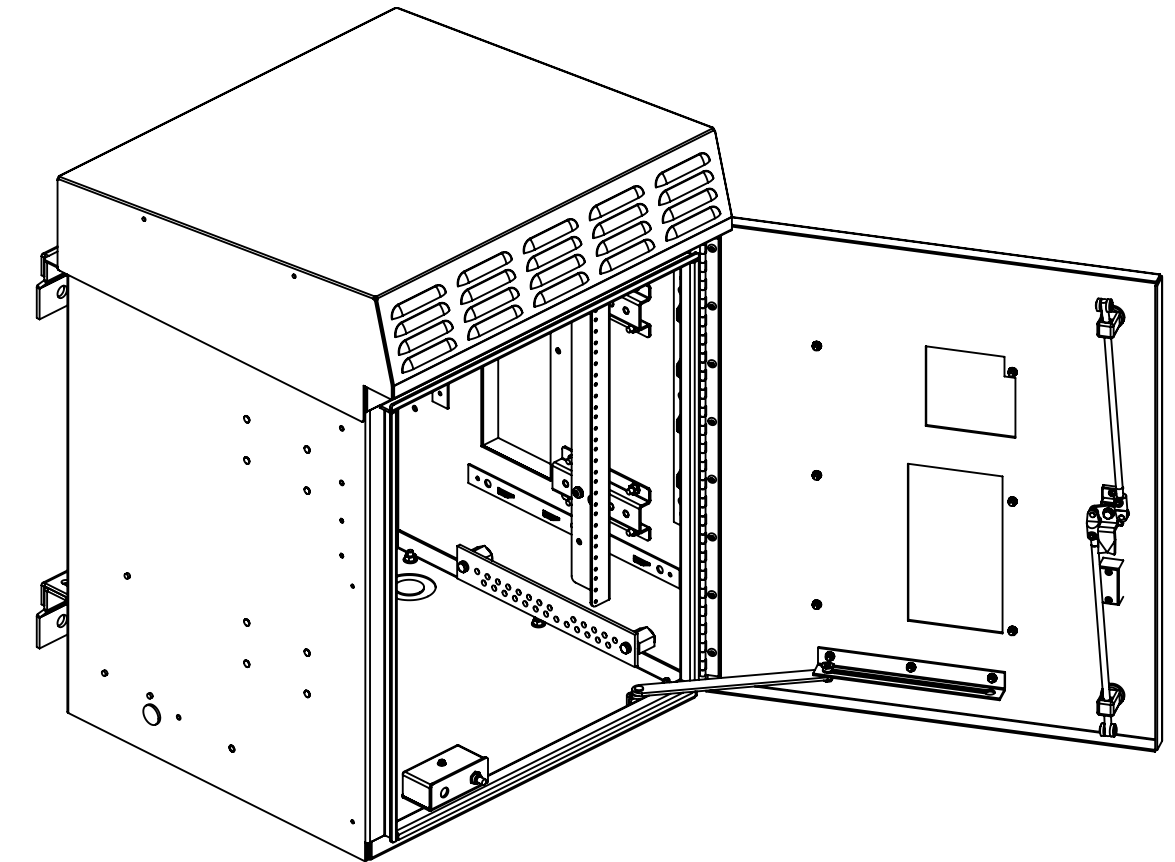
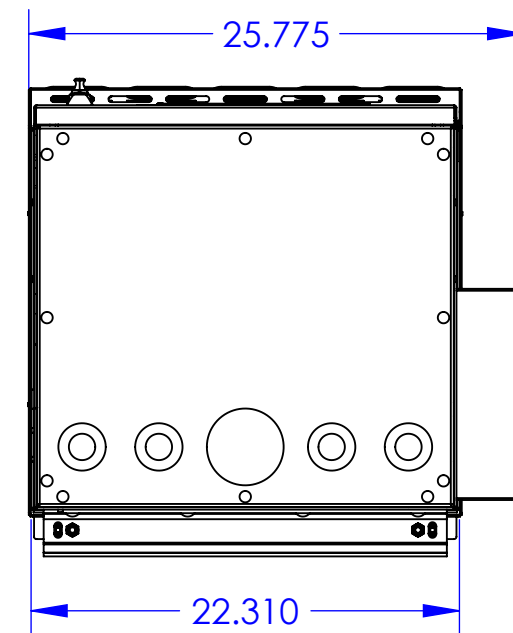
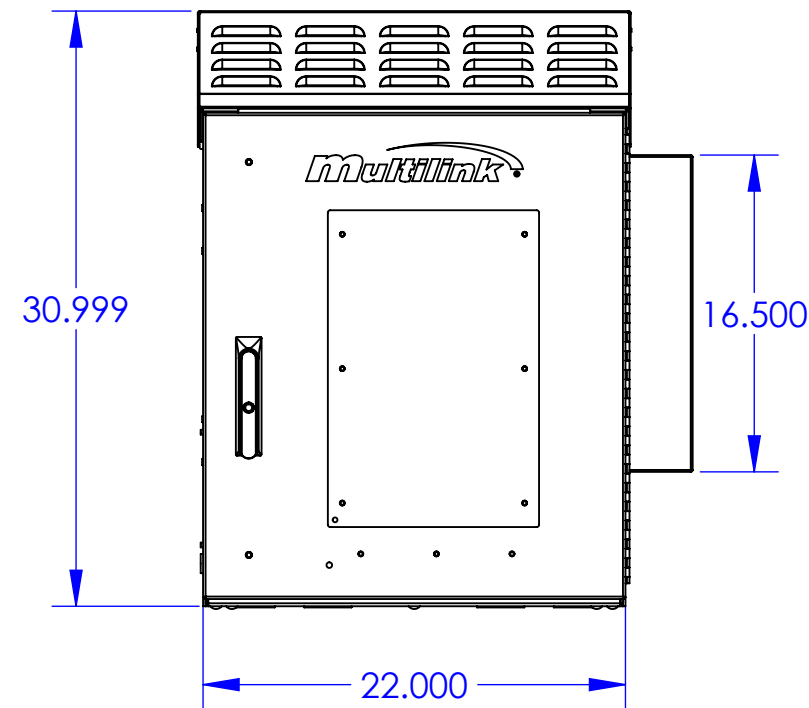
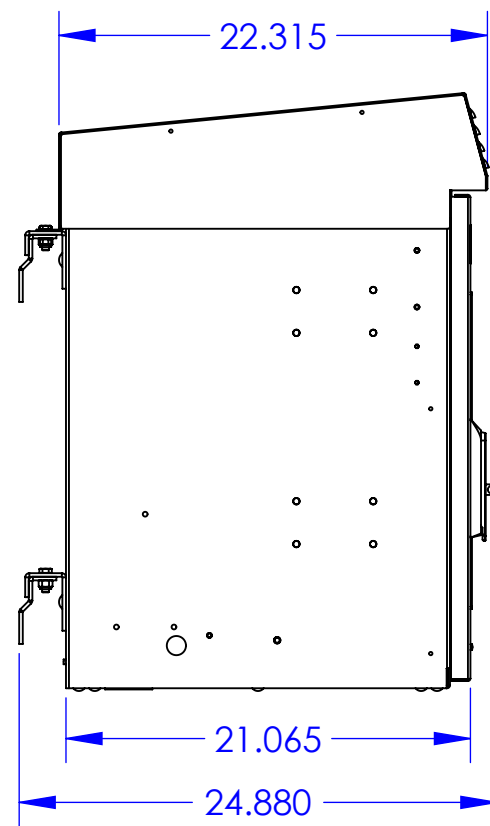


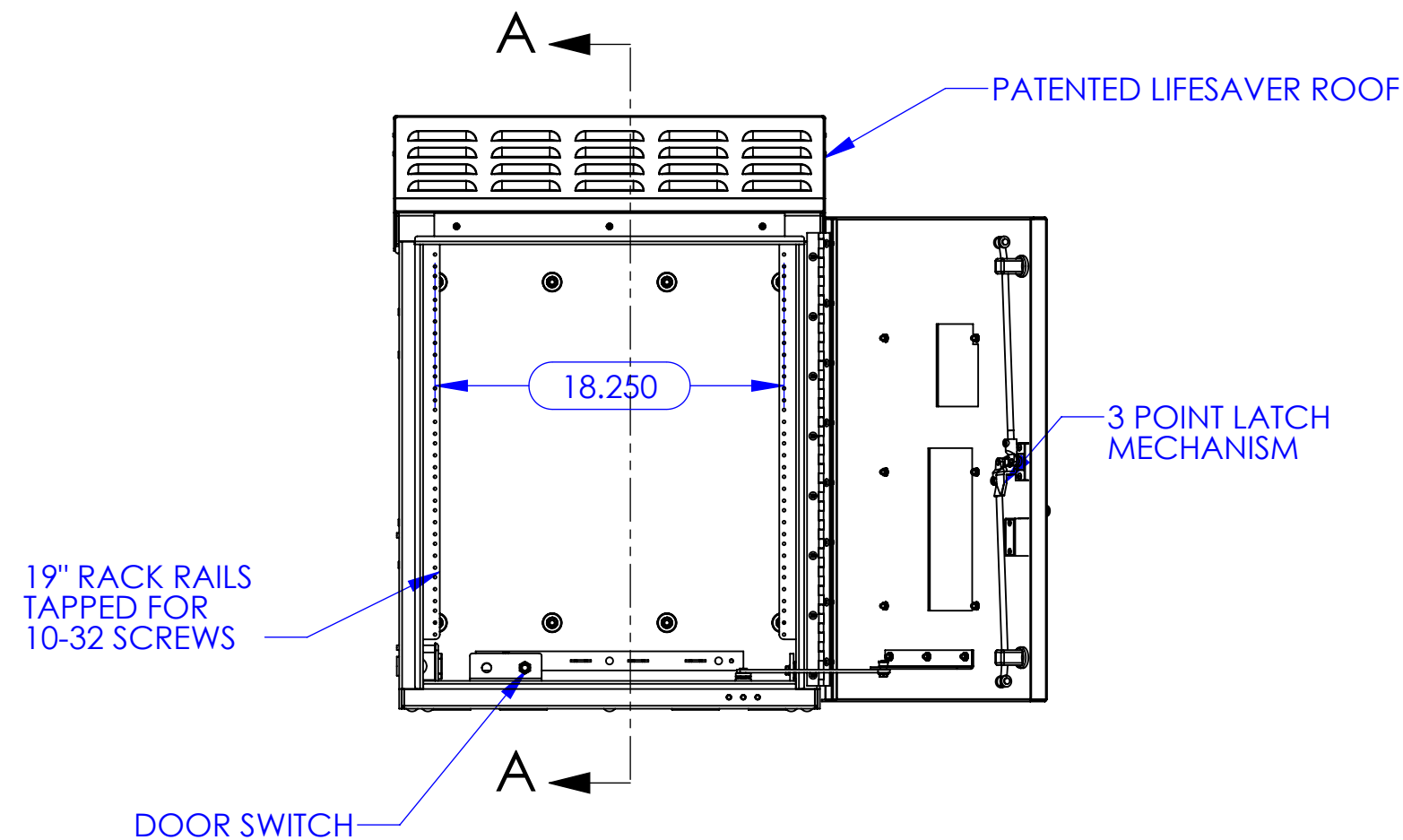
REV.	ECN #	DESCRIPTION OF CHANGE	DATE	BY	MFG ENG
01	N/A	INITIAL RELEASE	8/4/12	JR	



BACK VIEW



SECTION A-A  
SCALE 1:9



UNLESS OTHERWISE SPECIFIED  
DIMENSIONS ARE IN INCHES  
TOLERANCES ARE:  
FRACTIONS: DECIMALS: ANGLES:  
±1/32 .XX±.03 ±1°  
.XXX±.010

ALL FLATS TO BE ±.005  
NO SHARP EDGES OR  
BURRS ALLOWED

MATERIAL:  
SEE B.O.M

FINISH:  
ALMOND BEIGE

DO NOT SCALE DRAWING

THE INFORMATION CONTAINED IN  
THIS DRAWING IS THE SOLE PROPERTY  
OF MULTILINK BROADBAND INC. ANY  
REPRODUCTION IN PART OR WHOLE  
WITHOUT WRITTEN PERMISSION FROM  
MULTILINK IS STRICTLY PROHIBITED.

DRAWN BY: JR DATE: 8/4/12  
CHECKED: DATE:  
MFG ENG: DATE:  
QUALITY ENG: DATE:

**Multilink**

RACK ENCL BE 12RU  
UNISTRUT MNT  
W/HEAT EXCHANGER

SIZE DWG. NO. 030-180-45-REF 02  
SCALE: 1:10 CAD FILE: 030-180-45-REF 1 OF 1