

REV.	ECN #	DESCRIPTION OF CHANGE	DATE	BY	MFG ENG
01	N/A	INITIAL RELEASE	10/12/09	SJK	
02	2507	SEE ECN 2507 FOR DETAILS	09/26/11	SJK	
03	3025	SEE ECN 3025 FOR DETAILS	04/15/13	L.P.K	

VENTILATION LOUVERS
BACKED WITH
BUG SCREEN
AND AIR FILTER

SERVICE ENTRANCE
W/20A BREAKER

ROOF REMOVABLE
W/EQUIPMENT FULLY
LOADED IN THE CABINET

SWING OPEN DOOR EQUIPPED
WITH CONTINUOUS PIANO HINGE

4" DIN RAIL

8 POSITION
TERMINAL BLOCK

RACK RAILS
ADJUSTABLE AT
1" INCREMENTS

BRIDGE LANCE STRIP
FOR FIBER / CABLE
MANAGEMENT

GROUND LUG

20A-120V OUTLET

3-PT LOCK
MECHANISM

PREMIUM WEATHER
PROOF GASKETING
INCLUDED
(NOT SHOWN)

WINDSTOP

AIR FILTER BRACKET

PRESSURE SWITCH
FOR DOOR ALARM

COPPER BUS BAR

UNLESS OTHERWISE SPECIFIED
DIMENSIONS ARE IN INCHES
TOLERANCES ARE:
FRACTIONS: DECIMALS: ANGLES:
±1/32 .XX=±.03 ±1°
.XXX=±.010
ALL FLATS TO BE ±.005
**NO SHARP EDGES OR
BURRS ALLOWED**
MATERIAL:
SEE B.O.M
FINISH:
ALMOND BEIGE
DO NOT SCALE DRAWING

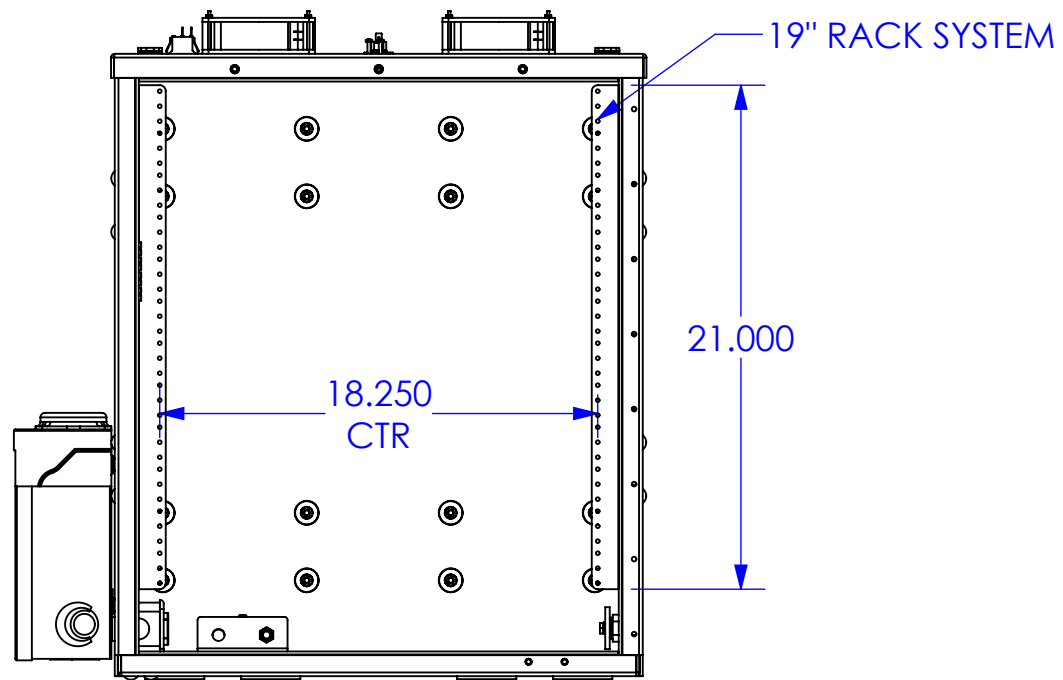
THIS DOCUMENT AND THE INFORMATION
CONTAINED THEREIN ARE CONFIDENTIAL
& PROPRIETARY TO MULTILINK AND MAY NOT
BE COPIED OR DISCLOSED TO OTHERS
WITHOUT A WRITTEN CONSENT FROM
MULTILINK. THE INFORMATION IS TO BE
PROMPTLY RETURNED TO MULTILINK UPON
REQUEST.
DRAWN BY: SJK DATE: 10/12/09
CHECKED: DATE:
MFG ENG: DATE:
QUALITY ENG: DATE:

Multilink

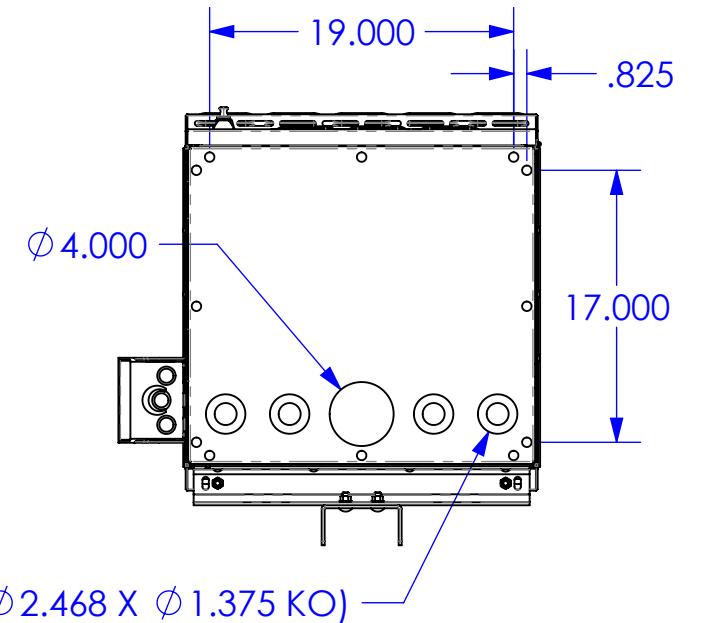
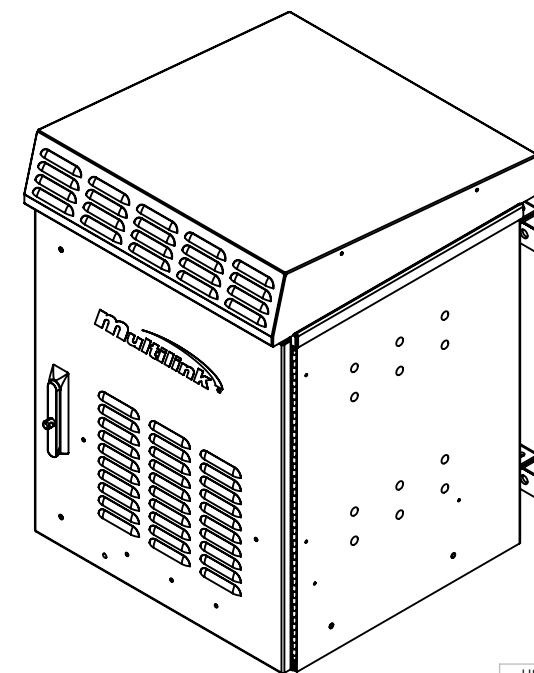
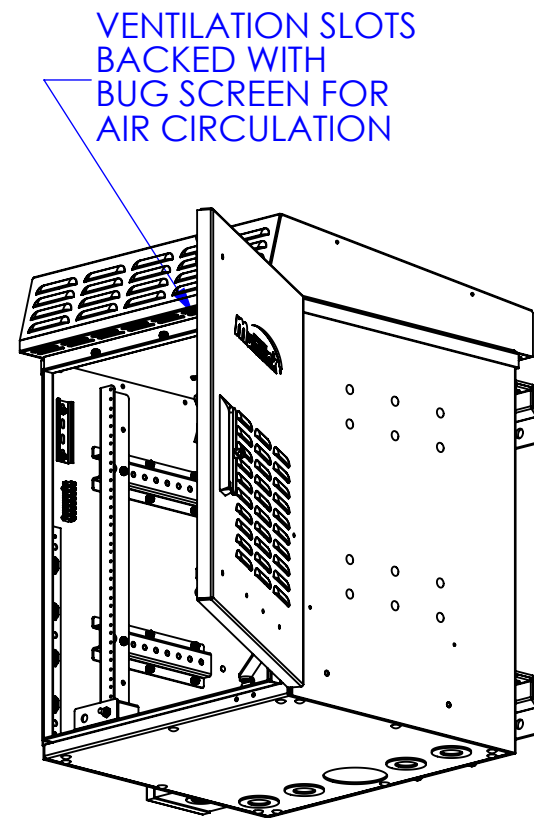
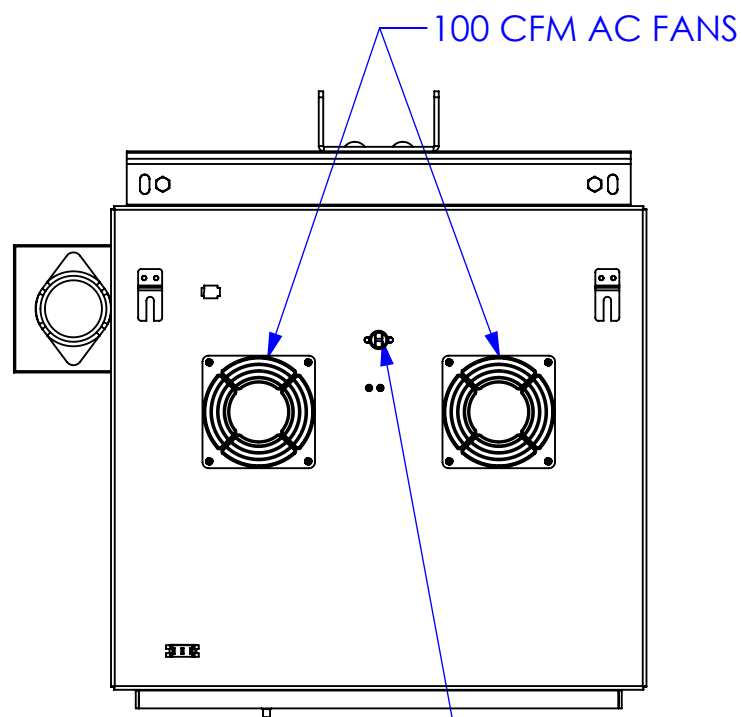
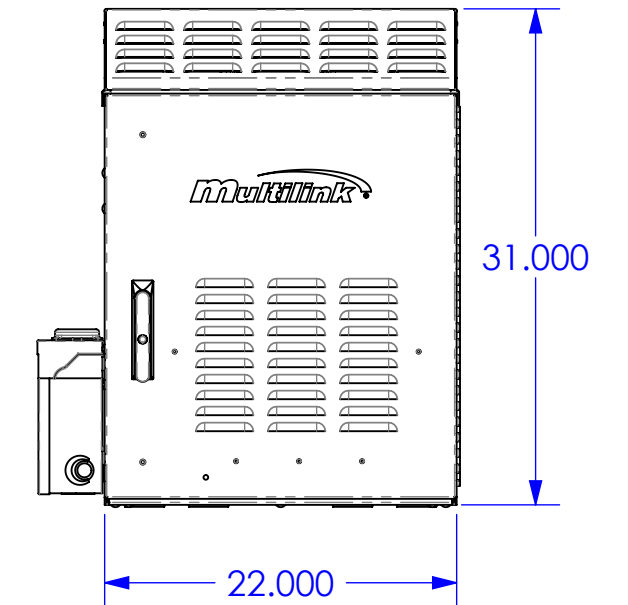
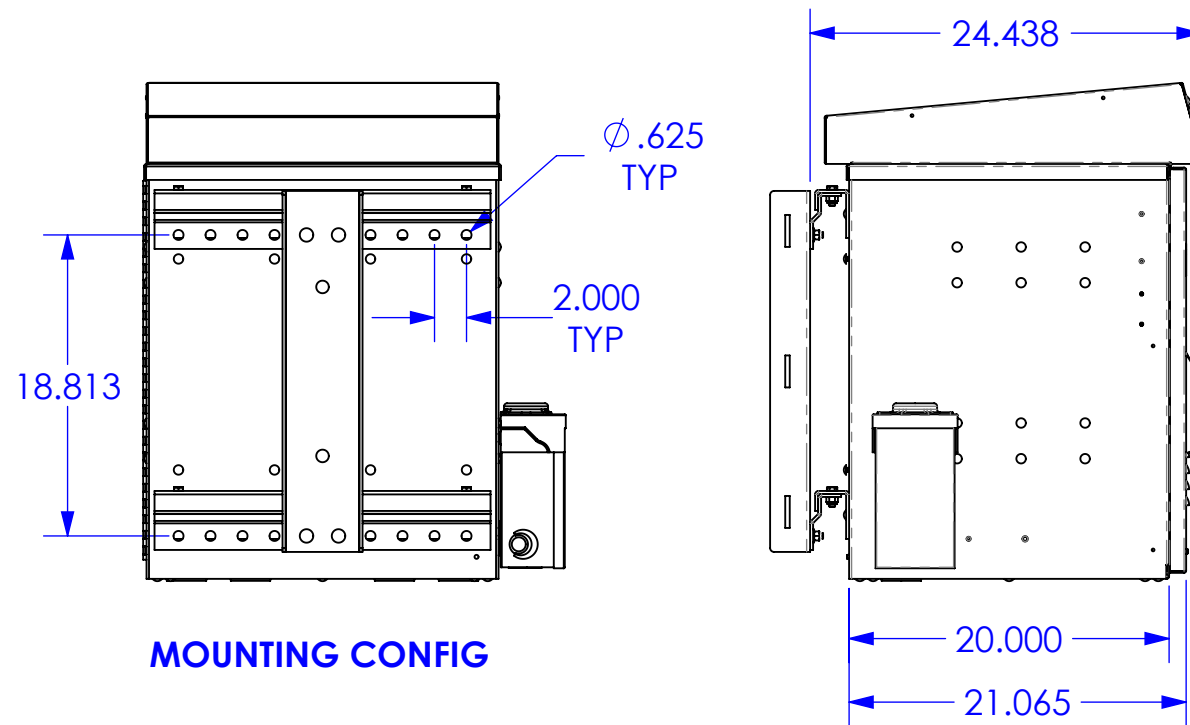
RACK ENCL BE 12RU
POLE MNT
W/SERVICE ENT

SIZE DWG. NO. REV.
B 030-180-60REF 03
SCALE: 1:8 CAD FILE: 030-180-60REF SHEET: 1 OF 2

REV.	ECN #	DESCRIPTION OF CHANGE	DATE	BY	MFG ENG
01	N/A	INITIAL RELEASE	10/12/09	SJK	
02	2507	SEE ECN 2507 FOR DETAILS	09/26/11	SJK	
03	3025	SEE ECN 3025 FOR DETAILS	04/15/13	L.P.K	



(ROOF AND DOOR HIDDEN FOR CLARITY)



UNLESS OTHERWISE SPECIFIED DIMENSIONS ARE IN INCHES TOLERANCES ARE:		THIS DOCUMENT AND THE INFORMATION CONTAINED THEREIN ARE CONFIDENTIAL & PROPRIETARY TO MULTILINK AND MAY NOT BE COPIED OR DISCLOSED TO OTHERS WITHOUT A WRITTEN CONSENT FROM MULTILINK. THE INFORMATION IS TO BE PROMPTLY RETURNED TO MULTILINK UPON REQUEST.		Multilink
FRACTIONS: ±1/32	DECIMALS: .XX ±.03 .XXX ±.010	ANGLES: ±1°		
ALL FLATS TO BE ±.005		NO SHARP EDGES OR BURRS ALLOWED		RACK ENCL BE 12RU POLE MNT W/SERVICE ENT
MATERIAL: SEE B.O.M		FINISH: ALMOND BEIGE		
DO NOT SCALE DRAWING		DRAWN BY: SJK	DATE: 10/12/09	SIZE: B
		CHECKED:	DATE:	DWG. NO.: 030-180-60REF
		MFG ENG:	DATE:	REV.: 03
		QUALITY ENG:	DATE:	SCALE: 1:8
				CAD FILE: 030-180-60REF
				SHEET: 2 OF 2