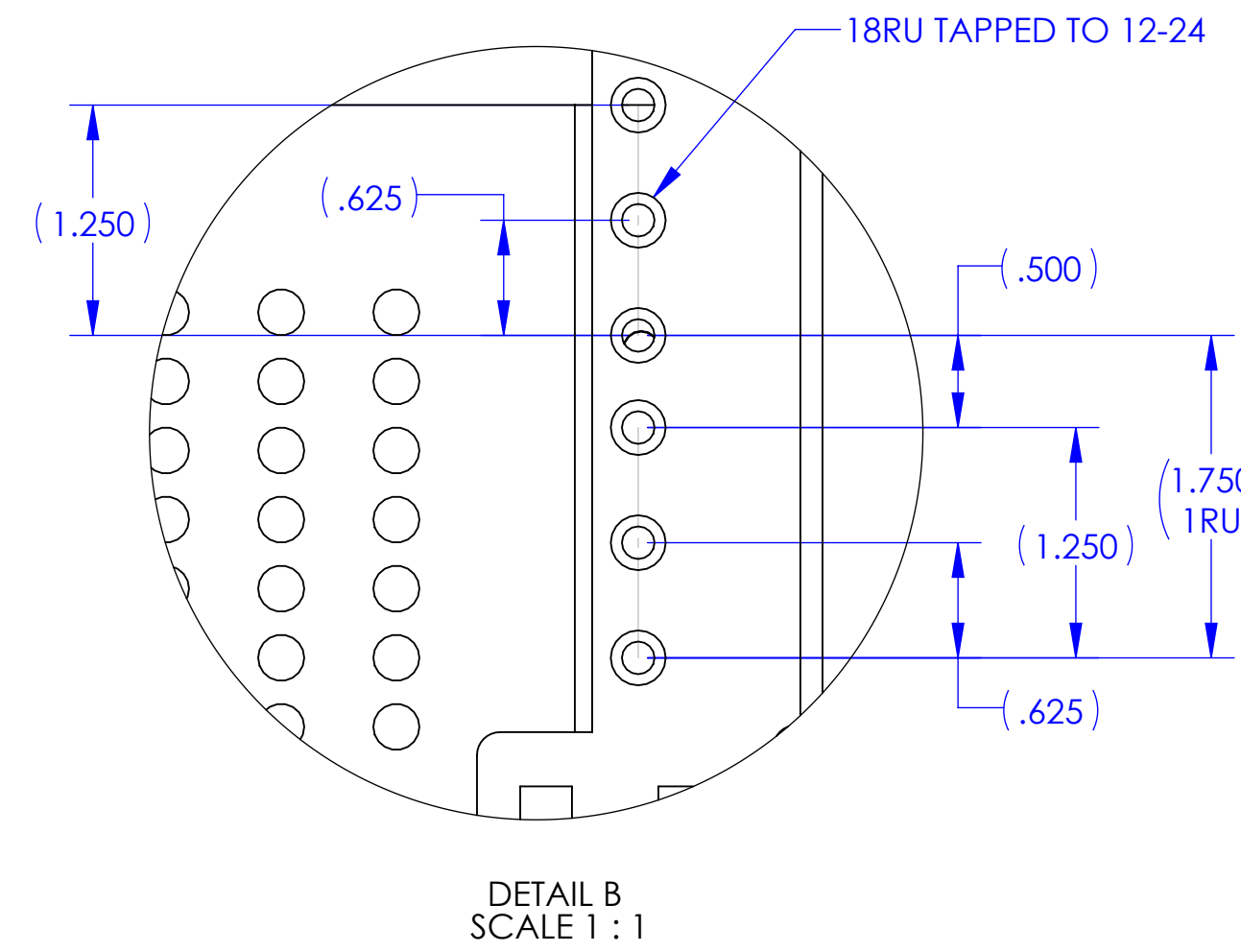
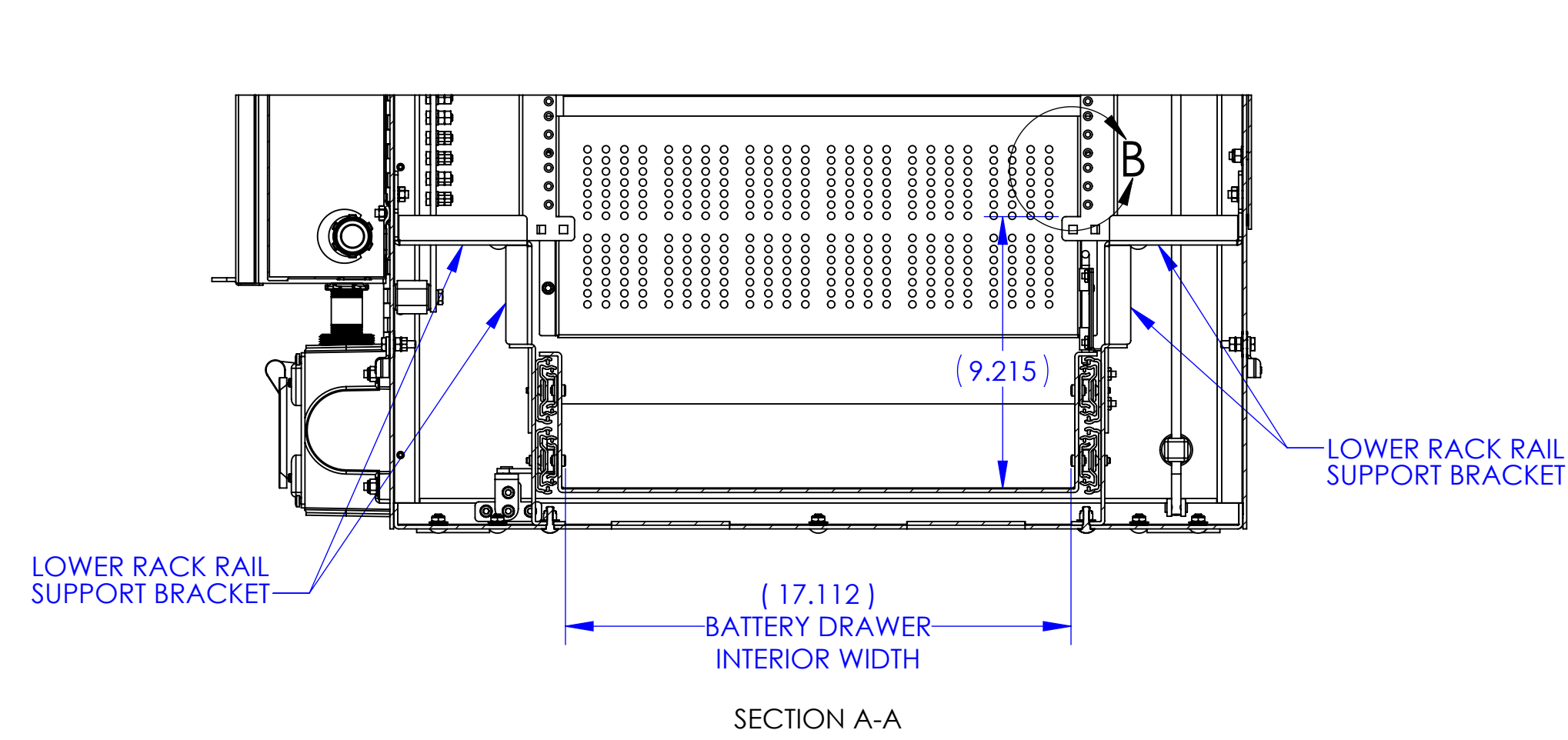
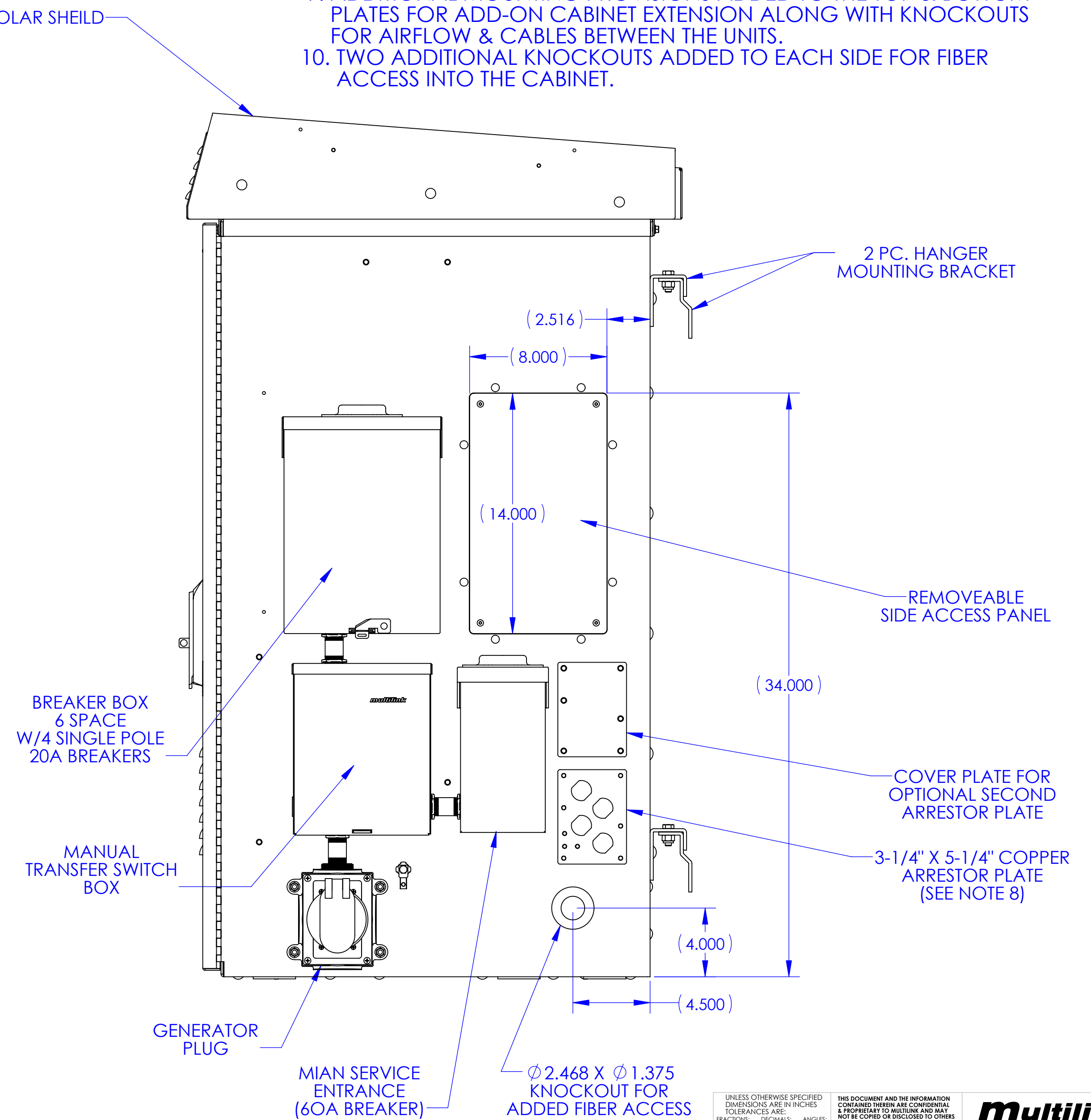
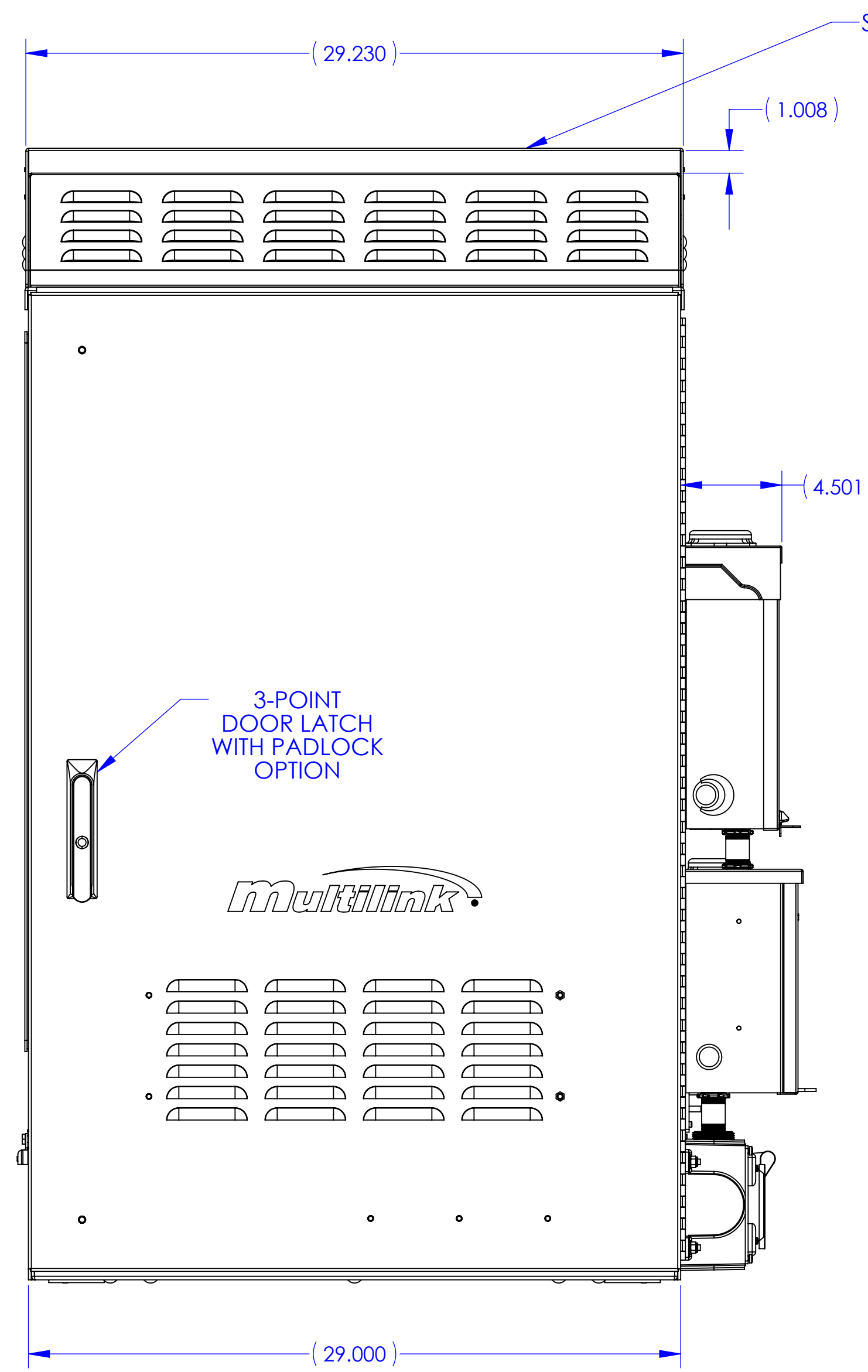
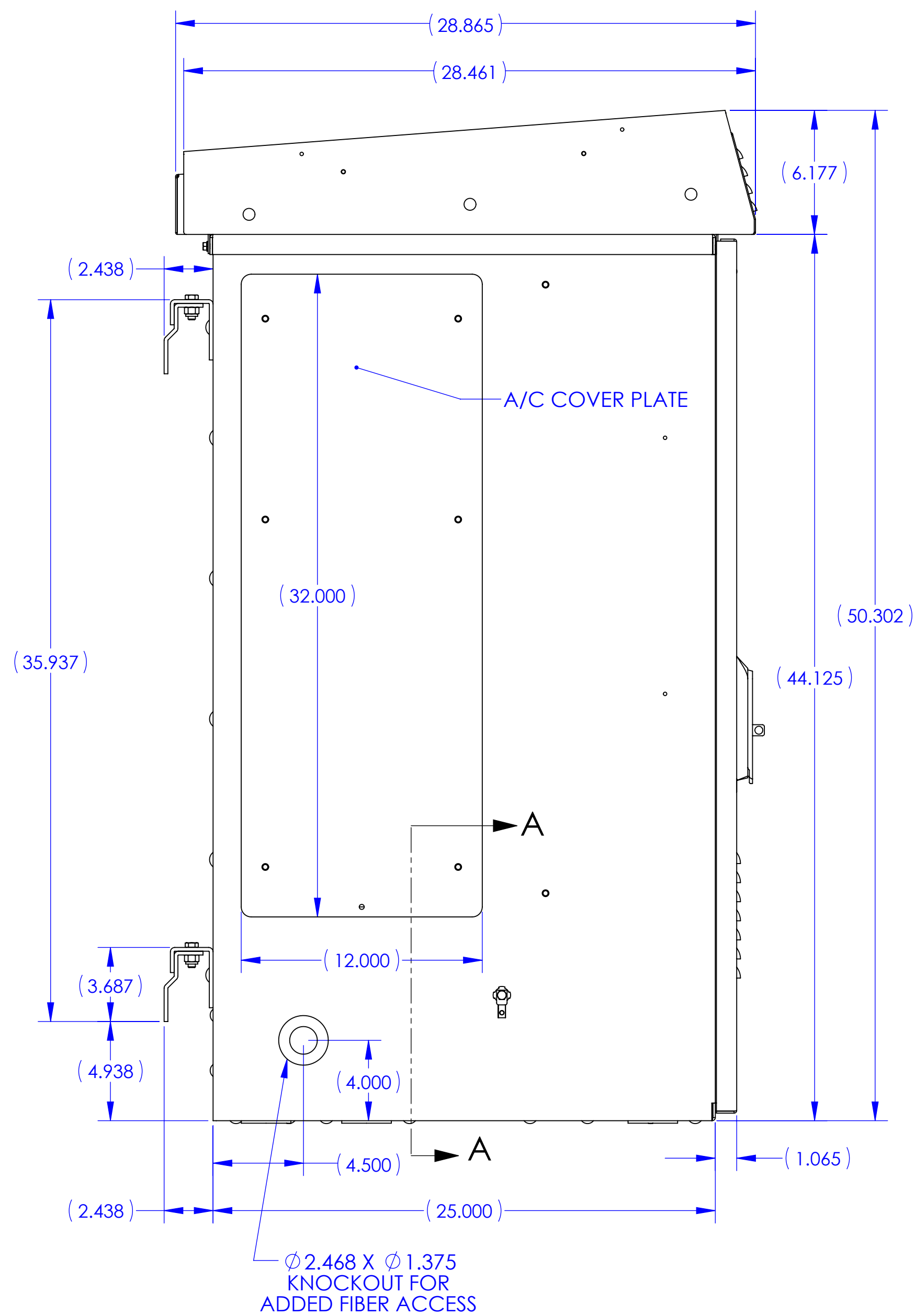


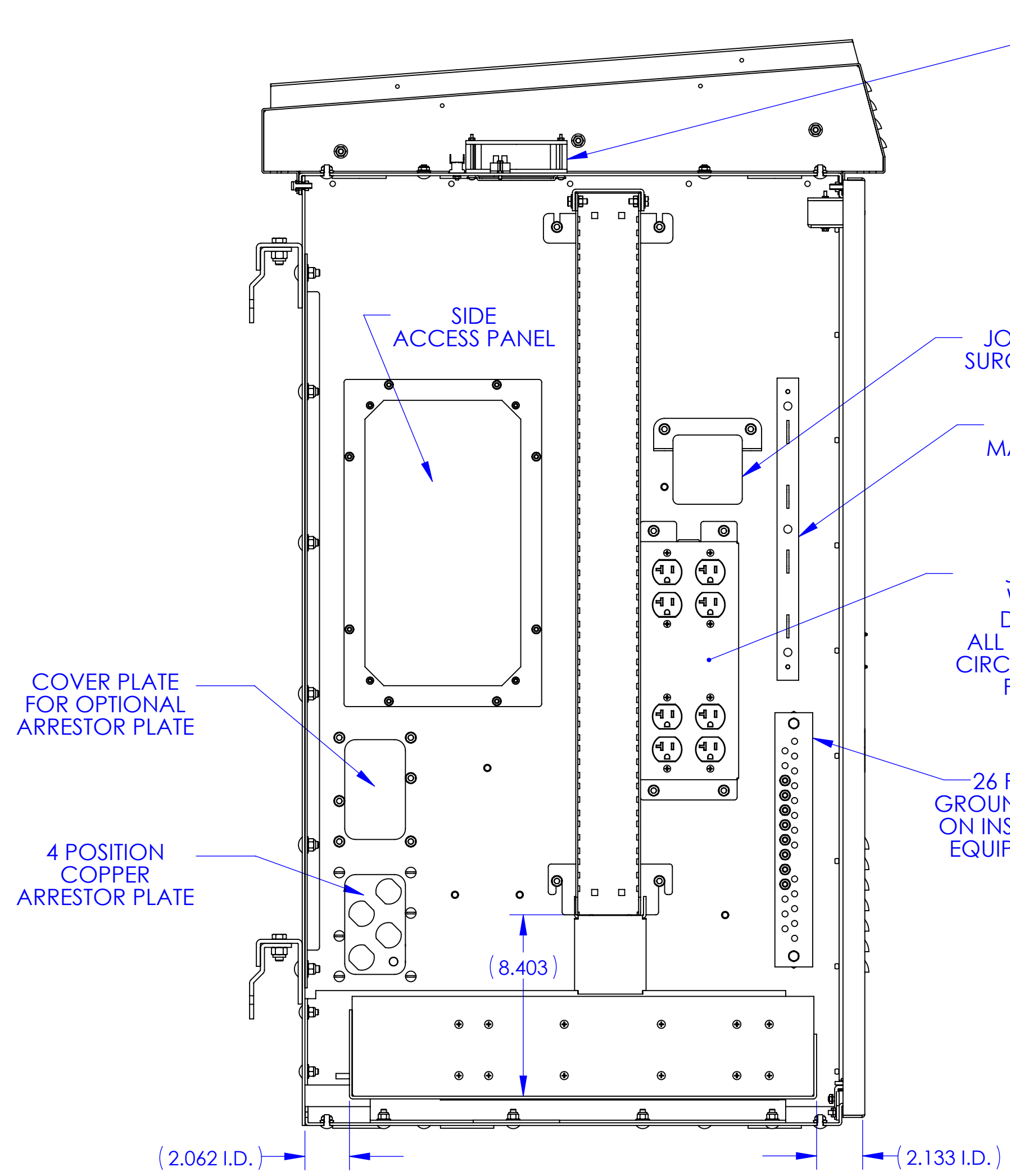
REV.	ECN #	DESCRIPTION OF CHANGE	DATE	BY	MFG ENG
11	2605	UPDATED PER ECN	02/02/12	L.P.K.	
12	2891	CHANGED QTY 122-125, ADDED 129-132	01/02/13	L.P.K.	
13	3144	ADDED ITEM # 135	08/14/13	L.P.K.	
14	3221	UPDATED BOM ITEM #29	12/16/14	JR	



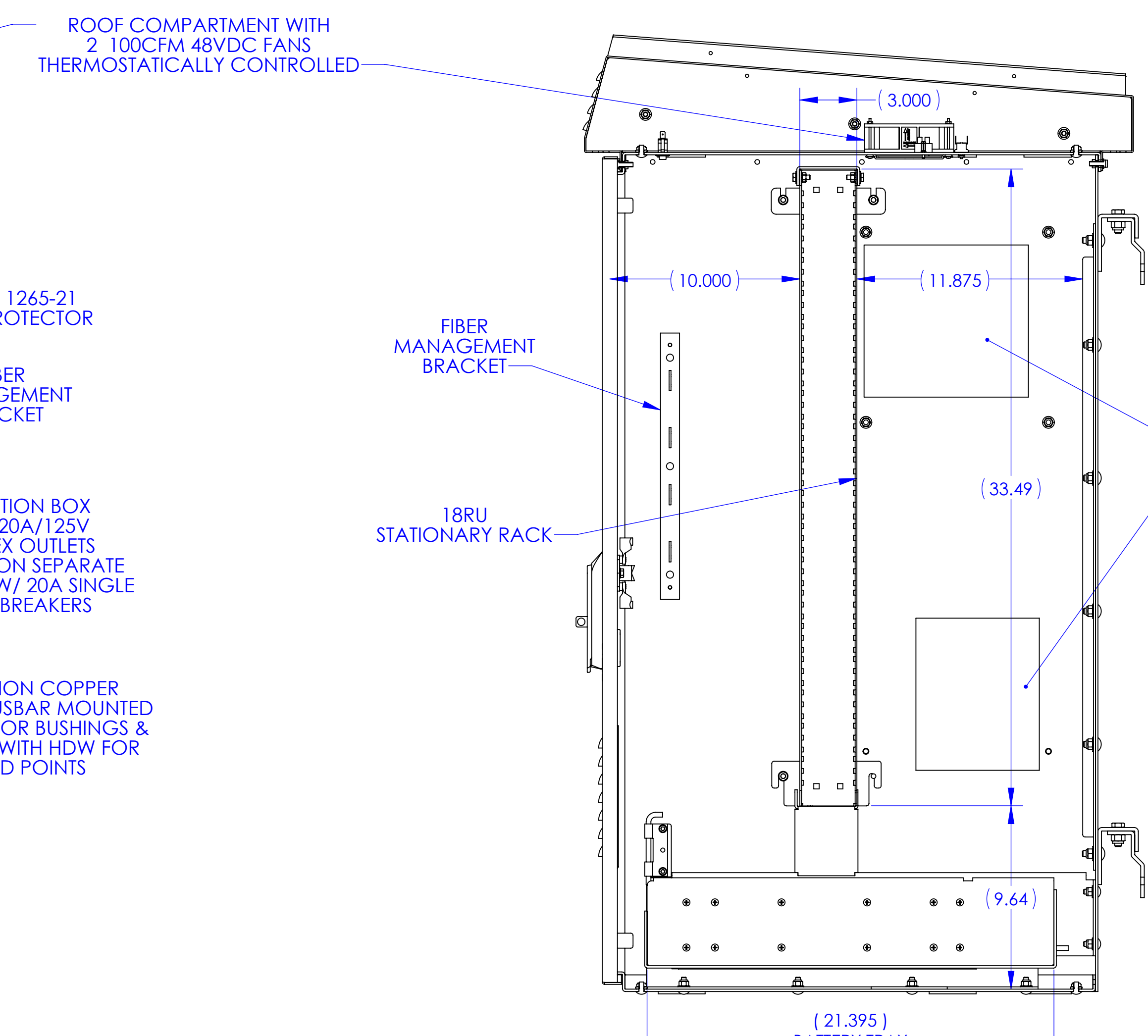
- NOTE:
- UNIT WILL CONTAIN 18RU OF FIXED RACK SPACE TAPPED TO 12-24. (SEE DETAIL "B")
 - MATERIAL USED: .125" TO .080" ALUMINUM WELDED CONSTRUCTION.
 - FINISH WILL BE POLYESTER POWDERCOAT ALMOND BEIGE.
 - INTERIOR WALLS WILL BE COVERED WITH FOIL INSULATION FOR FUTURE AIR CONDITIONER OPTION TO BE ADDED. (4000BTU AC UNIT WITH 500W INTEGRATED HEATER)
 - ROOF CONTAINS 2 THERMOSTATICALLY CONTROLLED 100CFM FANS.
 - 6 POSITION SERVICE ENTRANCE WITH FOUR 20 AMP CIRCUITS FOR FOUR 20A/125V DUPLEX OUTLETS & 2 BREAKER SPACES LEFT.
 - CABINET EQUIPPED WITH SINGLE SLIDE OUT BATTERY DRAWER TO HOLD 4-8 BATTERIES.
 - CABINET WILL HAVE 2 MOUNTING POSITIONS FOR ARRESTOR PLATES. ARRESTOR PLATE WILL BE 3/16 COPPER CONTAINING FOUR 7/8 INPUT HOLES, ONE GROUND STUD, & SIX 1/4-20 TAPPED MOUNTING HOLES. THERE WILL BE AN 1/8 THICK LEXAN INSULATOR PLATE BETWEEN THE ARRESTOR PLATE AND THE CABINET WITH RTV-723 SILICONE ADHESIVE SEALANT ALONG WITH SIX 1/4-20 NYLON MOUNTING SCREWS. (SEE SHEET 2 DETAIL "C")
 - ADDITIONAL MOUNTING PROVISIONS ADDED TO THE TOP & BOTTOM PLATES FOR ADD-ON CABINET EXTENSION ALONG WITH KNOCKOUTS FOR AIRFLOW & CABLES BETWEEN THE UNITS.
 - TWO ADDITIONAL KNOCKOUTS ADDED TO EACH SIDE FOR FIBER ACCESS INTO THE CABINET.



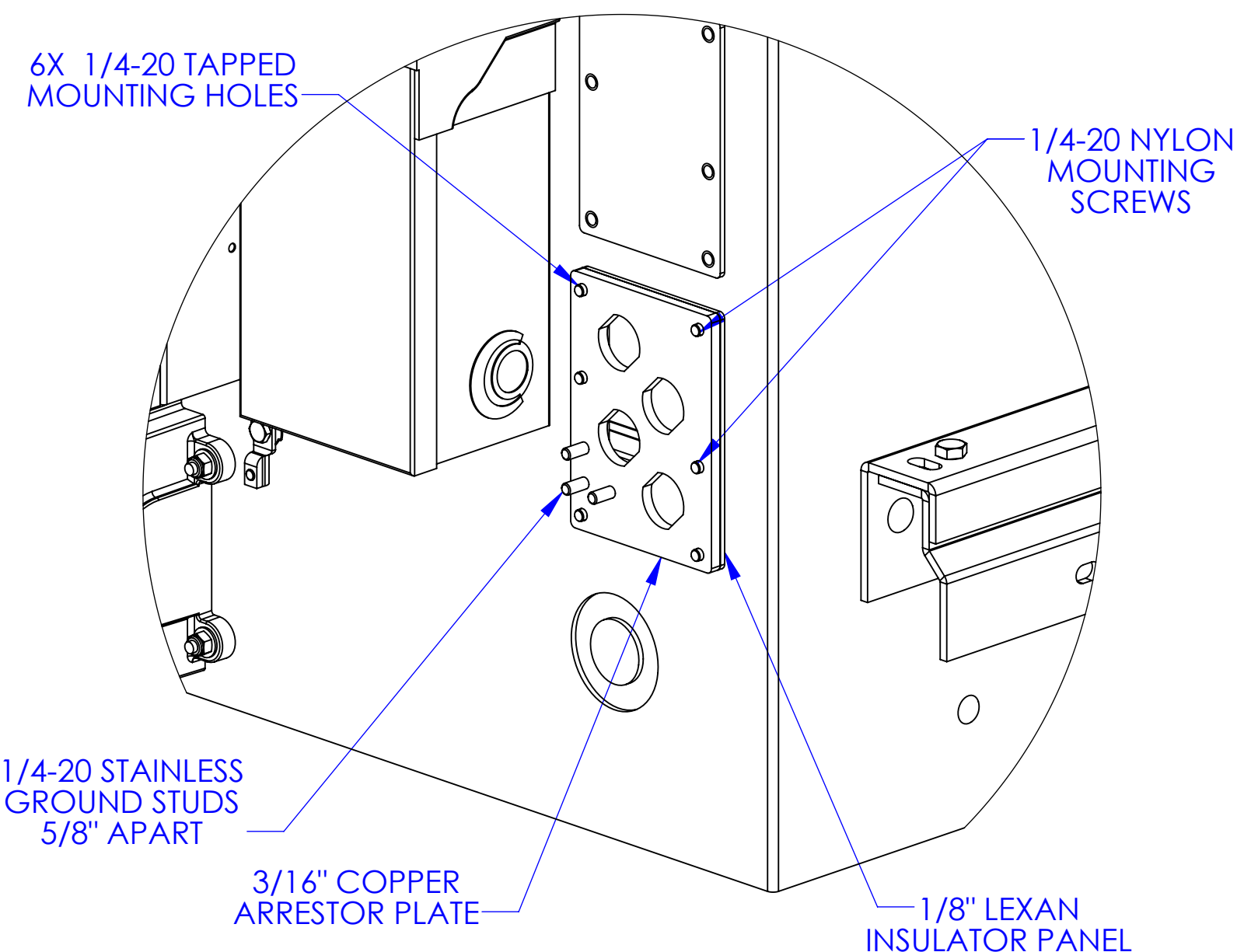
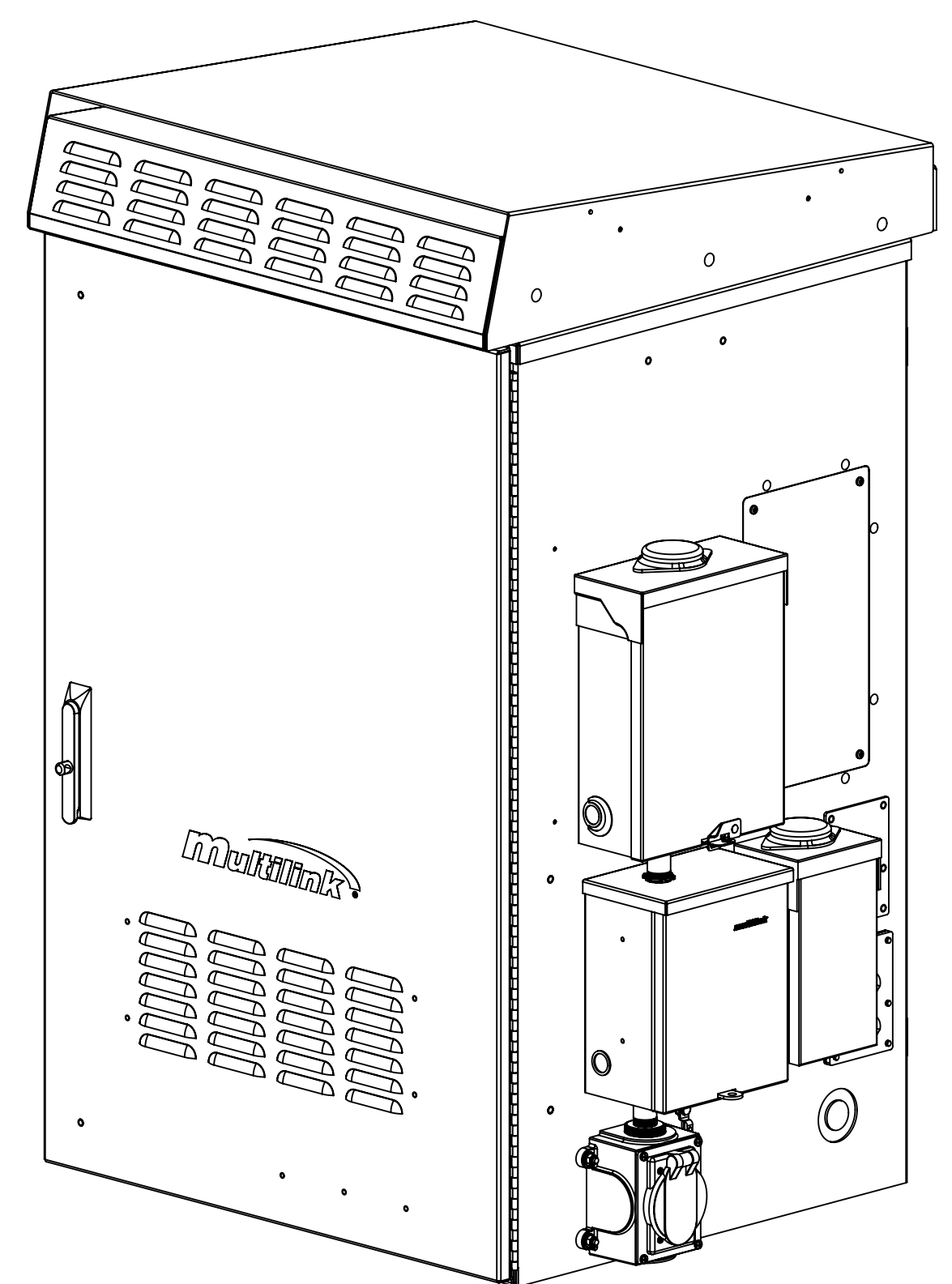
REV.	ECN #	DESCRIPTION OF CHANGE	DATE	BY	MFG ENG
11	2405	UPDATED PER ECN	02/02/12	L.P.K.	
12	2891	CHANGED QTY 122-125, ADDED 129-132	01/02/13	L.P.K.	
13	3144	ADDED ITEM # 135	08/14/13	L.P.K.	
14	3221	UPDATED BOM ITEM #29	12/16/14	JR	



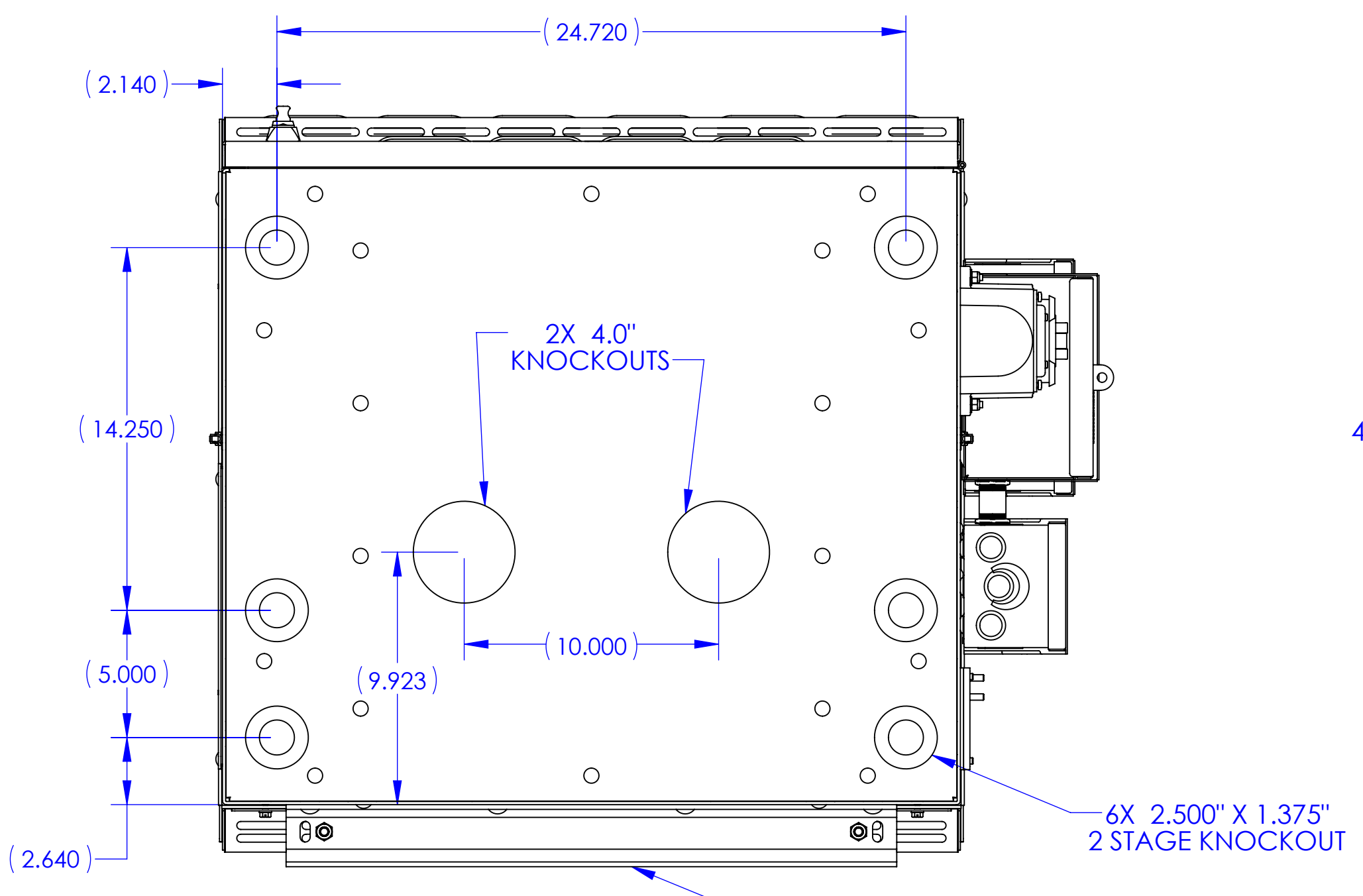
SECTION VIEW
INTERIOR RIGHT SIDE



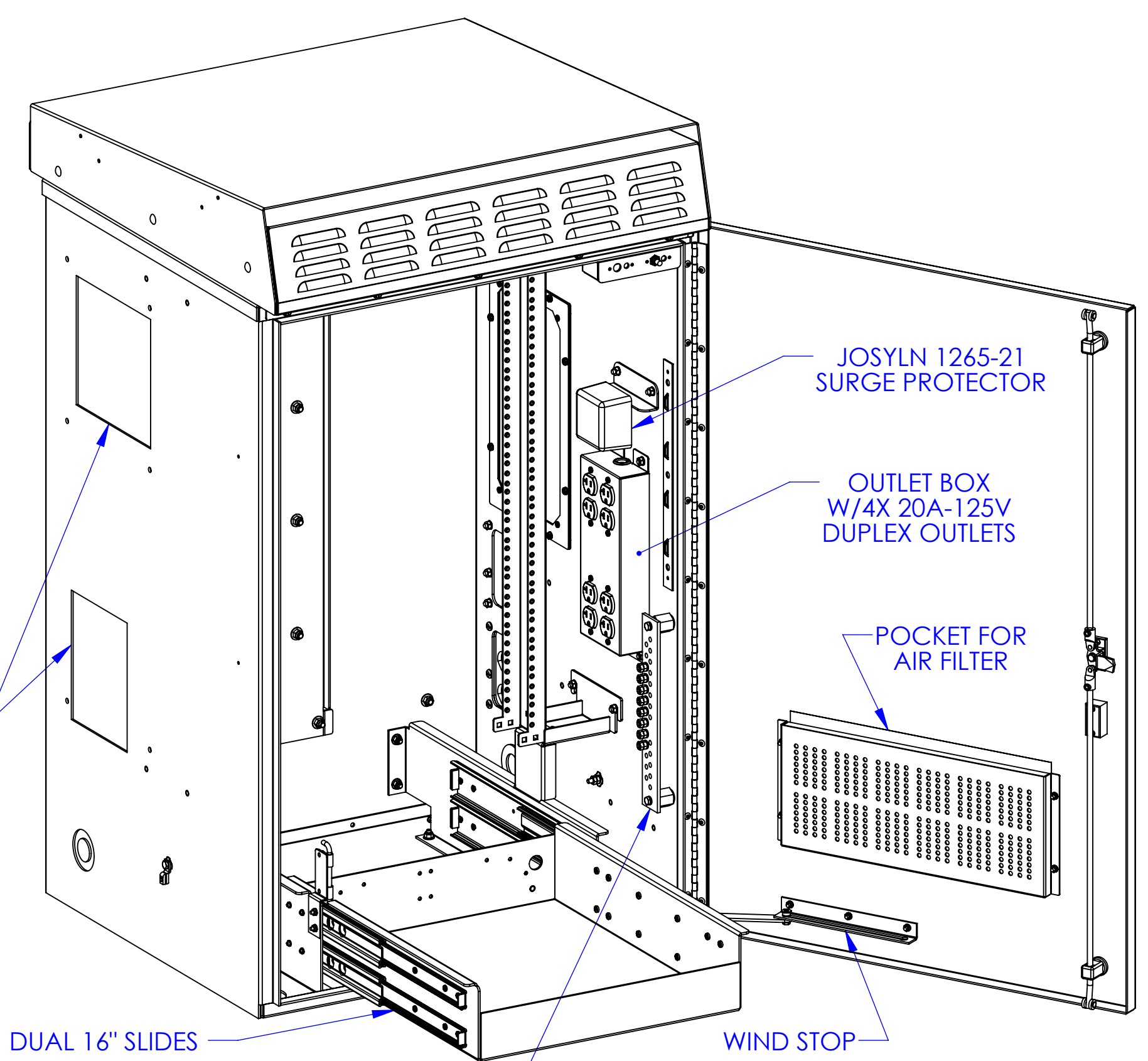
SECTION VIEW
INTERIOR LEFT SIDE



DETAIL C
SCALE 1:3



BOTTOM VIEW



26 POSITION COPPER GROUND BUSBAR MOUNTED ON INSULATOR BUSHINGS & EQUIPPED WITH HDW FOR 8 GND POINTS

UNLESS OTHERWISE SPECIFIED DIMENSIONS ARE IN INCHES TOLERANCES ARE: FRACTIONS: DECIMALS: ANGLES: ±1/32 XXX±.03 XXX±.010 51°

ALL PLATS TO BE ±.005

NO SHARP EDGES OR BURRS ALLOWED

MATERIAL: SEE B.O.M. FINISH: ALUMINUM BEIGE

DO NOT SCALE DRAWING

THIS DOCUMENT AND THE INFORMATION CONTAINED THEREIN ARE CONFIDENTIAL AND NOT BE COPIED OR DISCLOSED TO OTHERS WITHOUT THE WRITTEN CONSENT FROM MULTILINK. THE INFORMATION IS TO BE PROMPTLY RETURNED TO MULTILINK UPON REQUEST.

DRAWN BY: L.P.K. DATE: 06/09/2009

CHECKED BY: DATE:

MFG ENG: DATE:

QUALITY ENG: DATE:

DATE: 06/09/2009

SCALE: 1:5

ICAD FILE: 030-185-10-REF.DWG

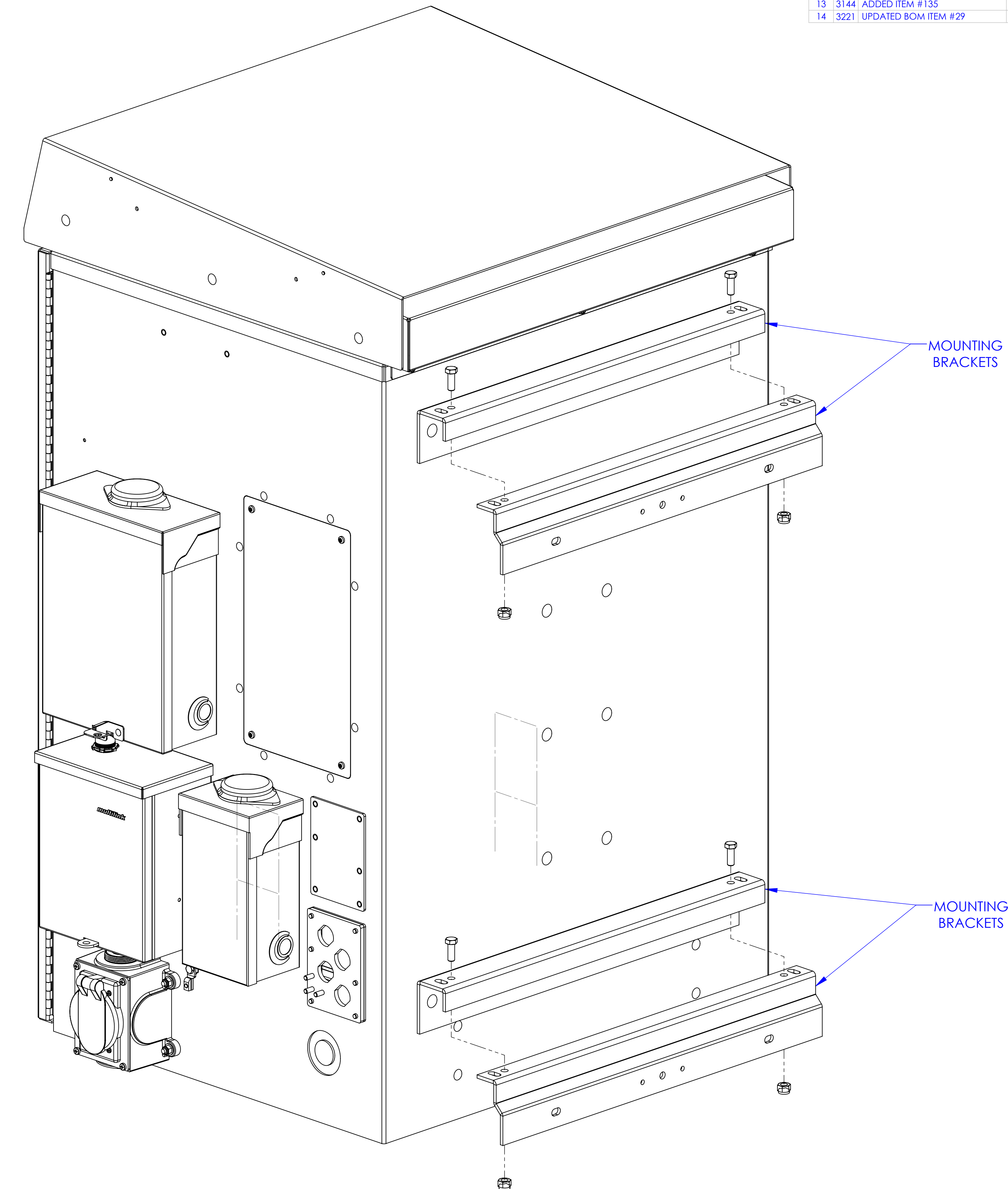
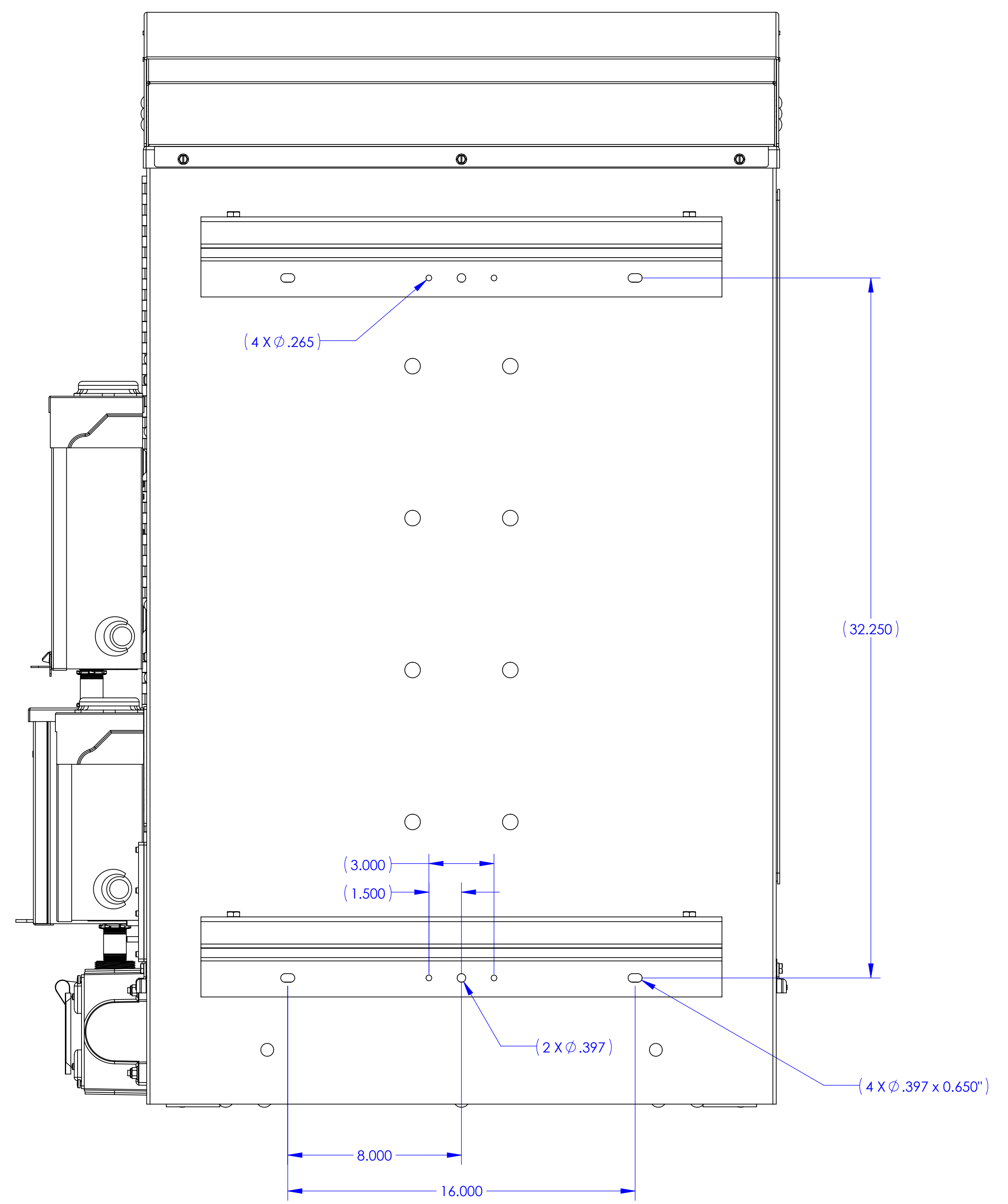
WMO-18RU-N4-BAT-BE RACK/BATT ENCL W/O AC

030-185-10-REF 14

2 OF 3



REV.	ECN #	DESCRIPTION OF CHANGE	DATE	BY	MFG ENG
11	2405	UPDATED PER ECN	02/02/12	L.P.K.	
12	2891	CHANGED QTY 122-125. ADDED 129-132	01/02/13	L.P.K.	
13	3144	ADDED ITEM # 135	08/14/13	L.P.K.	
14	3221	UPDATED BOM ITEM #29	12/16/14	JR	



MOUNTING CONFIGURATION

UNLESS OTHERWISE SPECIFIED DIMENSIONS ARE IN INCHES		THIS DOCUMENT AND THE INFORMATION CONTAINED HEREIN ARE CONFIDENTIAL & PROPRIETARY TO MULTILINK AND MAY NOT BE COPIED OR DISCLOSED TO OTHERS WITHOUT THE WRITTEN CONSENT OF MULTILINK. THE INFORMATION IS TO BE PROMPTLY RETURNED TO MULTILINK UPON REQUEST.		Multilink	
TOLERANCES ARE: FRACTIONS: DECIMALS: ANGLES: ±1/32 XXX±.03 51°		ALL FLATS TO BE ±.005		DRAWN BY: L.P.K. 06/09/2009	
NO SHARP EDGES OR BURRS ALLOWED		MATERIAL: SEE B.O.M.		CHECKED: DATE:	
FINISH: ALMOND BEIGE		MFG ENG: DATE:		DATE:	
DO NOT SCALE DRAWING		QUALITY ENG: DATE:		DATE:	

WMO-18RU-N4-BAT-BE RACK/BATT ENCL W/O AC
DWG. NO. 030-185-10-REF
SCALE: 1:1 (CAD REF: 030-185-10-REF) REV. 14
3 OF 3