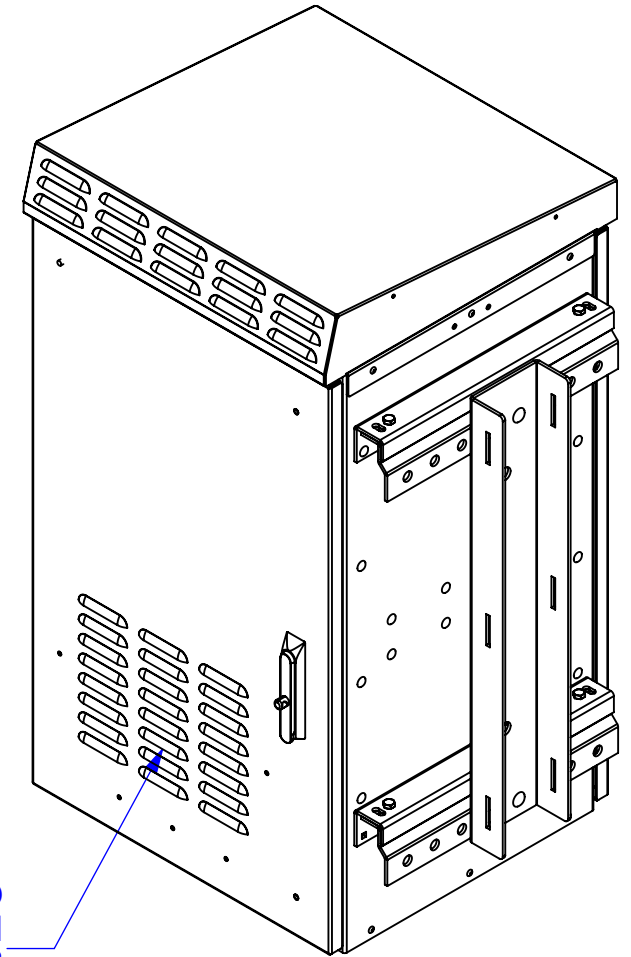
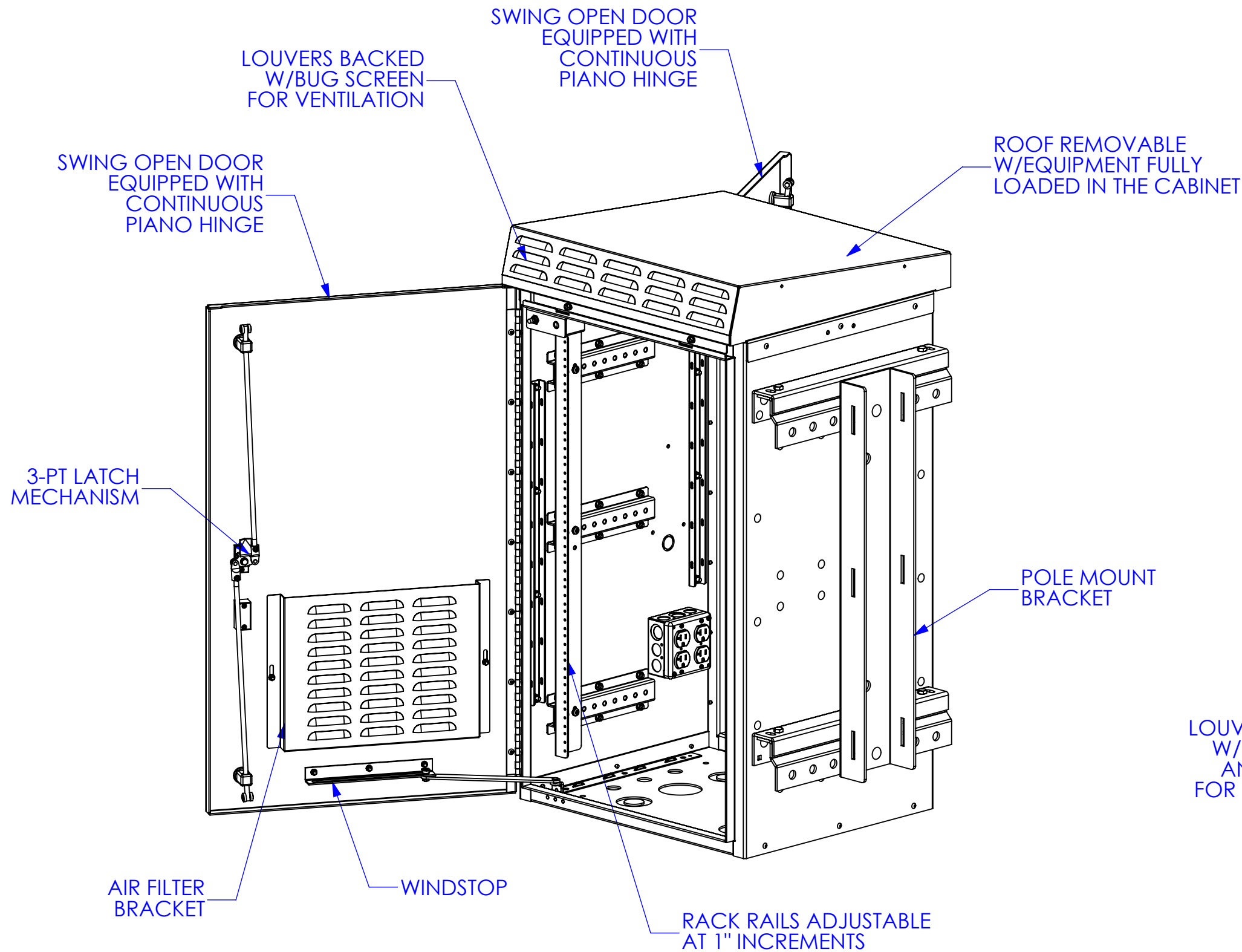


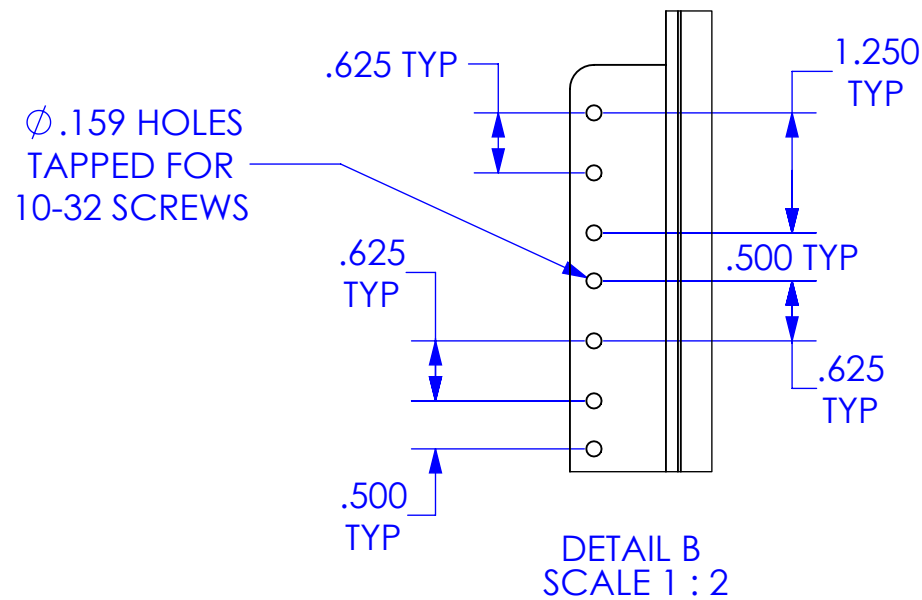
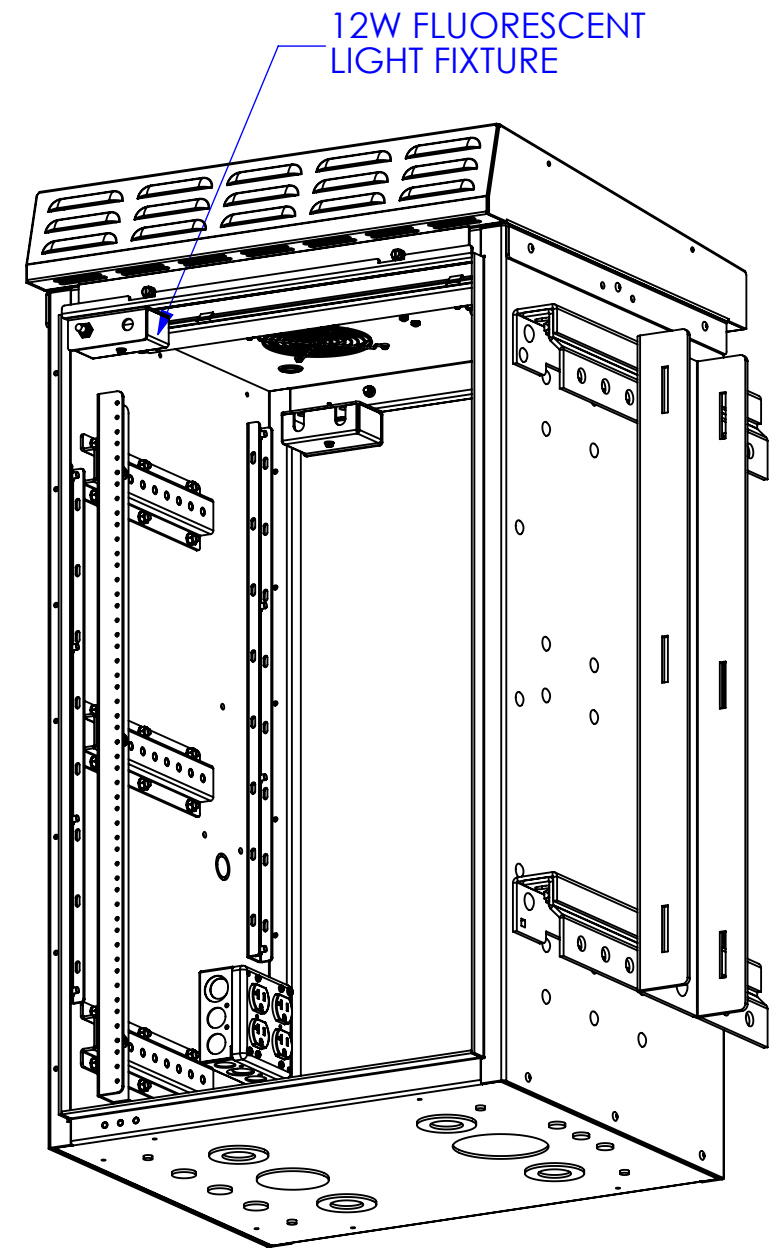
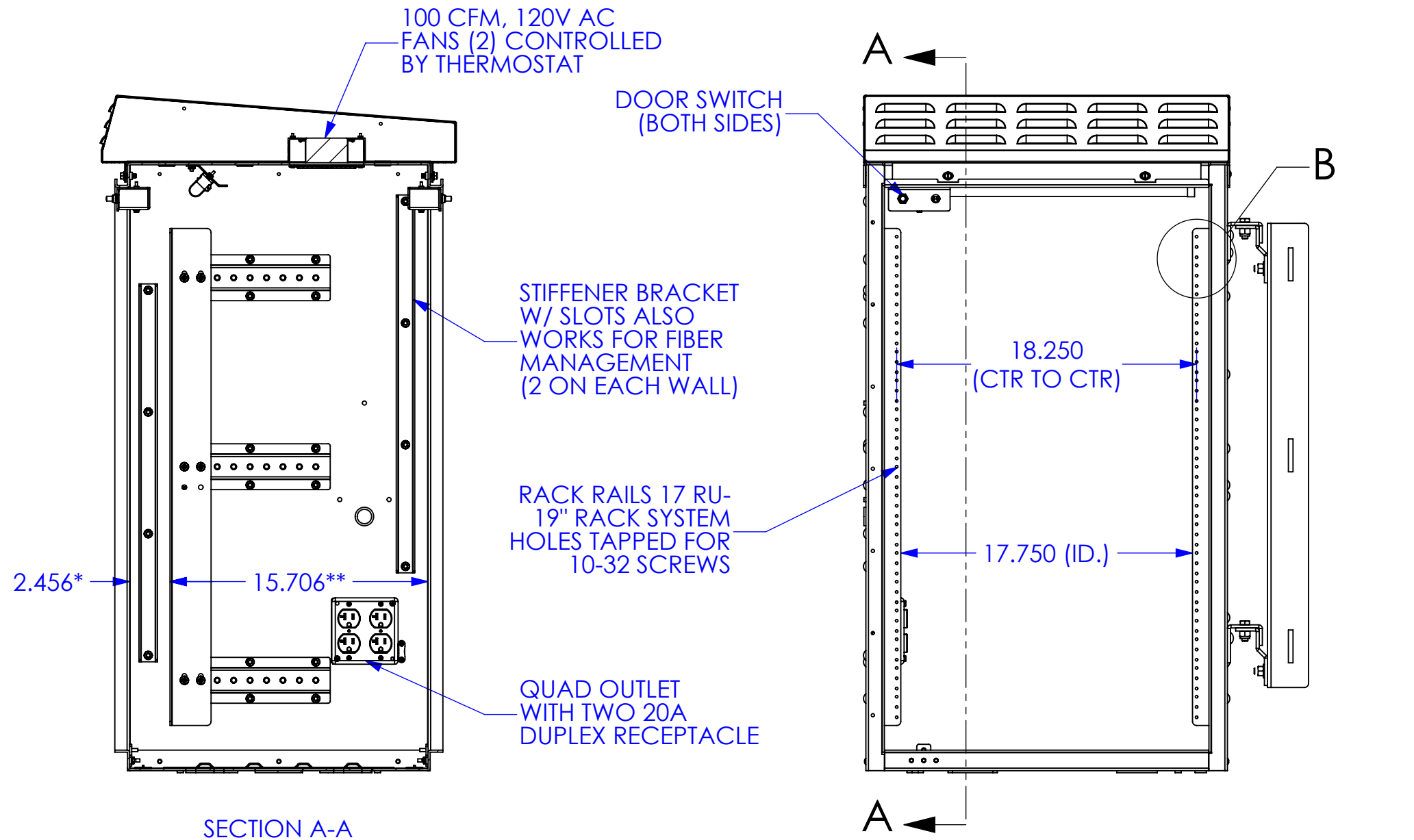
REV.	ECN #	DESCRIPTION OF CHANGE	DATE	BY	MFG ENG
06	2699	SEE ECN 2699 FOR DETAILS	05/22/12	SJK	



LOUVERS BACKED W/BUG SCREEN AND AIR FILTER FOR VENTILATION

UNLESS OTHERWISE SPECIFIED DIMENSIONS ARE IN INCHES TOLERANCES ARE: FRACTIONS: ±1/32    DECIMALS: .XX=±.03    ANGLES: ±1° .XXX=±.010 ALL FLATS TO BE ±.005		THIS DOCUMENT AND THE INFORMATION CONTAINED THEREIN ARE CONFIDENTIAL & PROPRIETARY TO MULTILINK AND MAY NOT BE COPIED OR DISCLOSED TO OTHERS WITHOUT A WRITTEN CONSENT FROM MULTILINK. THE INFORMATION IS TO BE PROMPTLY RETURNED TO MULTILINK UPON REQUEST.	<b>Multilink</b>	
<b>NO SHARP EDGES OR BURRS ALLOWED</b>			17RU-BE-DD-W/H-FRAME MTG	
MATERIAL: SEE B.O.M.	FINISH: ALMOND BEIGE	DRAWN BY: SJK	DATE: 11/09/09	SCALE: 1:8    DWG. NO. 030-201-10REF    REV. 07
DO NOT SCALE DRAWING		CHECKED:	DATE:	

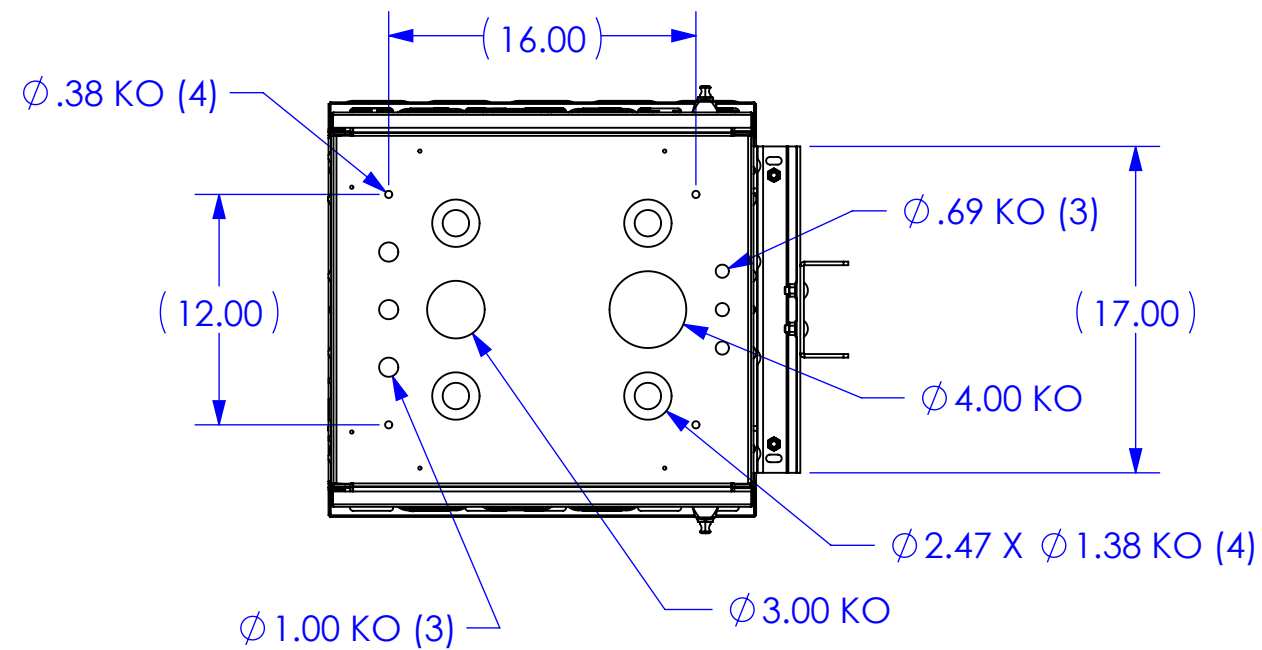
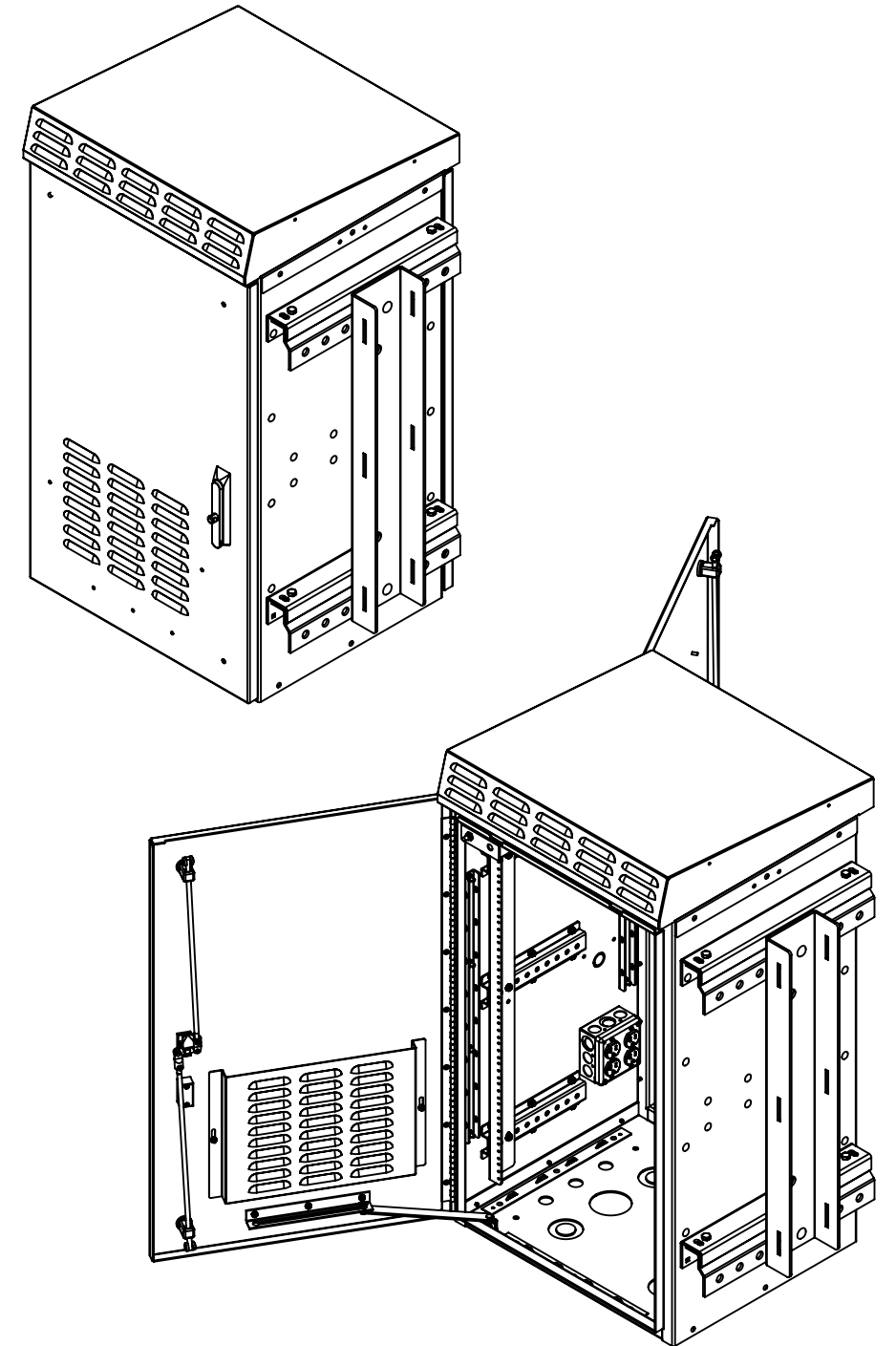
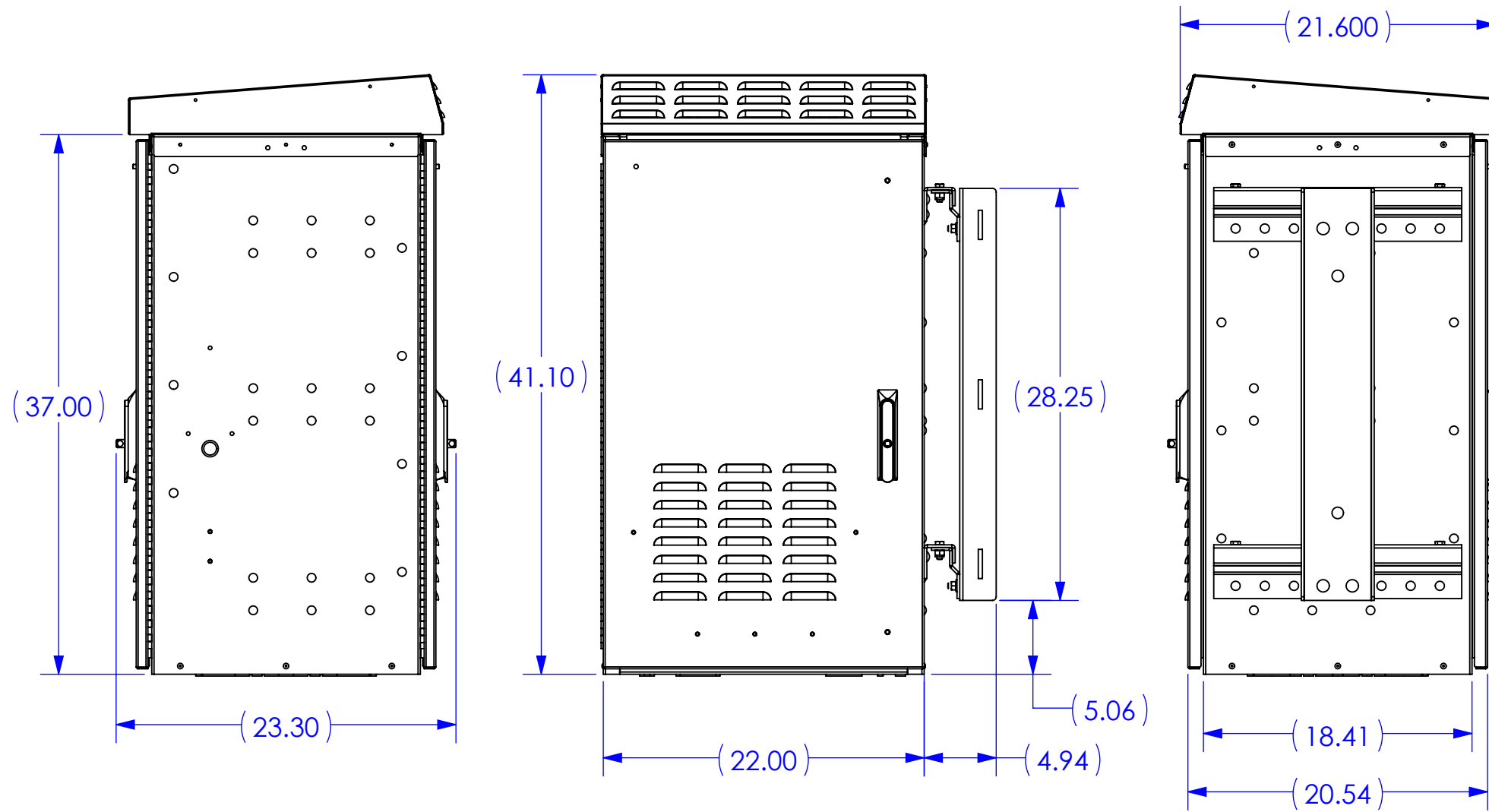
REV.	ECN #	DESCRIPTION OF CHANGE	DATE	BY	MFG ENG
06	2699	SEE ECN 2699 FOR DETAILS	05/22/12	SJK	



NOTE:  
 \* DISTANCE BETWEEN THE FRONT FACE OF THE RACK RAIL AND THE INSIDE FRONT FACE OF THE CABINET.  
 \*\* DISTANCE BETWEEN THE FRONT FACE OF THE RACK RAIL AND THE INSIDE BACK FACE OF THE CABINET.

UNLESS OTHERWISE SPECIFIED DIMENSIONS ARE IN INCHES TOLERANCES ARE: FRACTIONS: ±1/32    DECIMALS: .XX=±.03    ANGLES: ±1° .XXX=±.010 ALL FLATS TO BE ±.005		<b>THIS DOCUMENT AND THE INFORMATION CONTAINED THEREIN ARE CONFIDENTIAL &amp; PROPRIETARY TO MULTILINK AND MAY NOT BE COPIED OR DISCLOSED TO OTHERS WITHOUT A WRITTEN CONSENT FROM MULTILINK. THE INFORMATION IS TO BE PROMPTLY RETURNED TO MULTILINK UPON REQUEST.</b>			
<b>NO SHARP EDGES OR BURRS ALLOWED</b>					
DRAWN BY: SJK		DATE: 11/09/09	17RU-BE-DD- W/H-FRAME MTG		
MATERIAL: SEE B.O.M.		CHECKED: DATE:			
FINISH: ALMOND BEIGE		MFG ENG: DATE:	SIZE: B	DWG. NO. 030-201-10REF	REV. 07
DO NOT SCALE DRAWING		QUALITY ENG: DATE:	SCALE: 1:8	CAD FILE: 030-201-10REF	SHEET: 2 OF 4

REV.	ECN #	DESCRIPTION OF CHANGE	DATE	BY	MFG ENG
06	2699	SEE ECN 2699 FOR DETAILS	05/22/12	SJK	



UNLESS OTHERWISE SPECIFIED  
DIMENSIONS ARE IN INCHES  
TOLERANCES ARE:  
FRACTIONS: DECIMALS: ANGLES:  
±1/32 .XX=±.03 ±1°  
.XXX=±.010

ALL FLATS TO BE ±.005

**NO SHARP EDGES OR  
BURRS ALLOWED**

MATERIAL:  
SEE B.O.M.

FINISH:  
ALMOND BEIGE

DO NOT SCALE DRAWING

THIS DOCUMENT AND THE INFORMATION  
CONTAINED THEREIN ARE CONFIDENTIAL  
& PROPRIETARY TO MULTILINK AND MAY  
NOT BE COPIED OR DISCLOSED TO OTHERS  
WITHOUT A WRITTEN CONSENT FROM  
MULTILINK. THE INFORMATION IS TO BE  
PROMPTLY RETURNED TO MULTILINK UPON  
REQUEST.

DRAWN BY: SJK DATE: 11/09/09

CHECKED: DATE:

MFG ENG: DATE:

QUALITY ENG: DATE:

**Multilink**

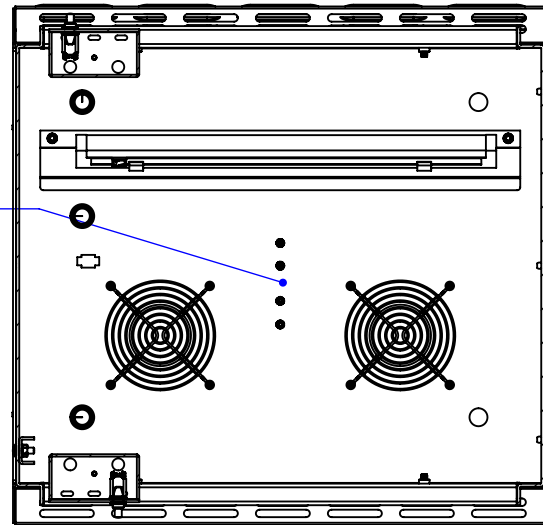
17RU-BE-DD-  
W/H-FRAME MTG

SIZE **B** DWG. NO. 030-201-10REF REV. 07

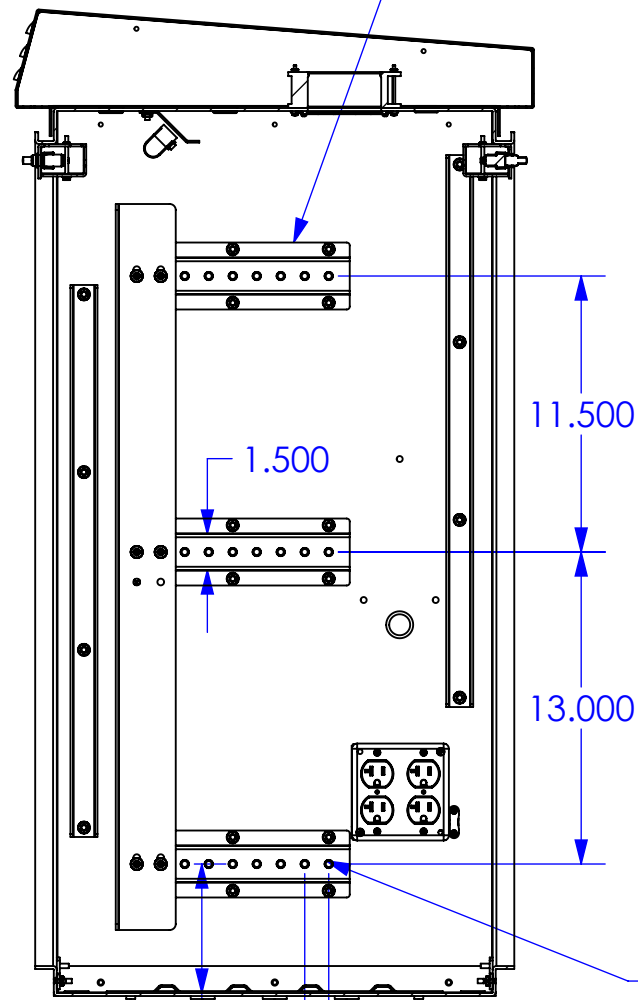
SCALE: 1:10 CAD FILE: 030-201-10REF SHEET: 3 OF 4

REV.	ECN #	DESCRIPTION OF CHANGE	DATE	BY	MFG ENG
06	2699	SEE ECN 2699 FOR DETAILS	05/22/12	SJK	

THERMOSTAT LOCATION

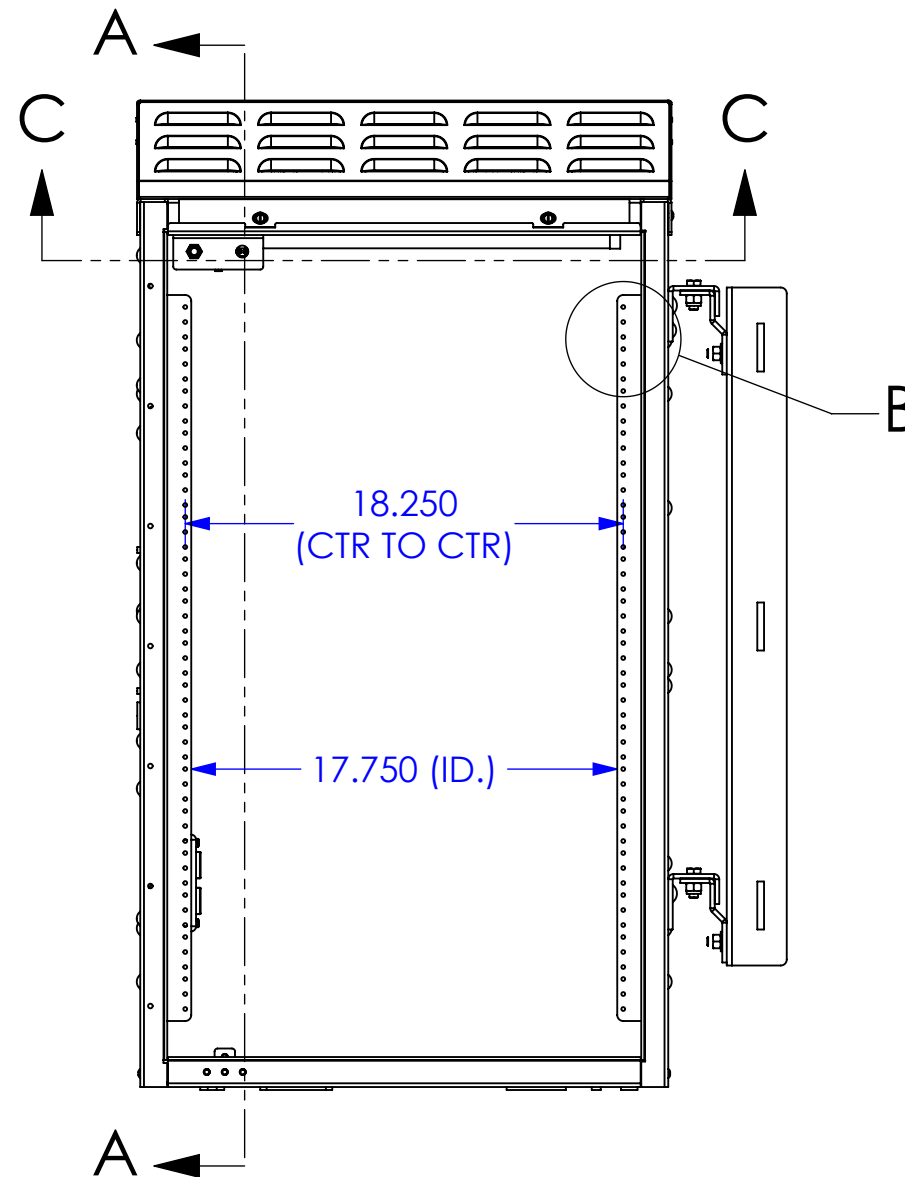


ADJUSTABLE BRACKETS (3 ON EACH SIDE)



5.376 1.000 TYP  
SECTION A-A

SECTION C-C



NOTE:

\*\*\* 9 HOLES SETUP FOR 1/4-20 SCREWS. RACK RAILS CAN BE ADJUSTED UPTO 8 POSITIONS AT 1" INCREMENTS.

POSITION OF THE ADJUSTABLE BRACKETS IS SYMMETRIC ON THE OTHER SIDE OF THE CABINET.

UNLESS OTHERWISE SPECIFIED DIMENSIONS ARE IN INCHES  
TOLERANCES ARE:  
FRACTIONS: ±1/32  
DECIMALS: .XX=±.03  
              .XXX=±.010  
ANGLES: ±1°  
ALL FLATS TO BE ±.005  
**NO SHARP EDGES OR BURRS ALLOWED**  
MATERIAL: SEE B.O.M.  
FINISH: ALMOND BEIGE  
DO NOT SCALE DRAWING

THIS DOCUMENT AND THE INFORMATION CONTAINED THEREIN ARE CONFIDENTIAL & PROPRIETARY TO MULTILINK AND MAY NOT BE COPIED OR DISCLOSED TO OTHERS WITHOUT A WRITTEN CONSENT FROM MULTILINK. THE INFORMATION IS TO BE PROMPTLY RETURNED TO MULTILINK UPON REQUEST.  
DRAWN BY: SJK  
DATE: 11/09/09  
CHECKED: DATE:  
MFG ENG: DATE:  
QUALITY ENG: DATE:

**Multilink**

17RU-BE-DD-  
W/H-FRAME MTG

SIZE **B** DWG. NO. 030-201-10REF REV. 07  
SCALE: 1:8 CAD FILE: 030-201-10REF SHEET: 4 OF 4