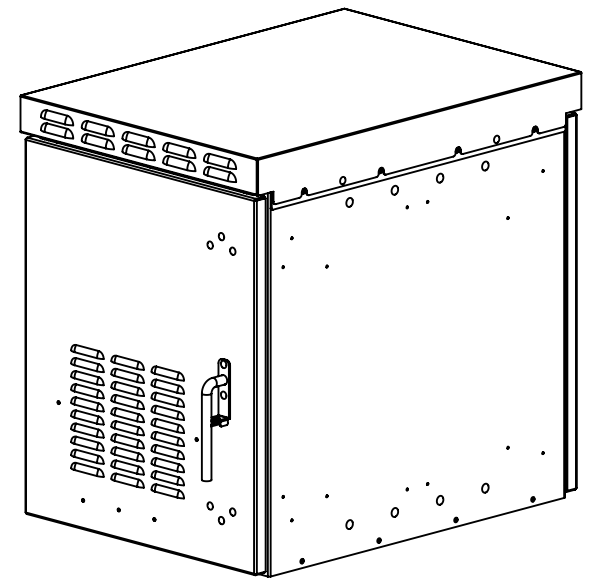
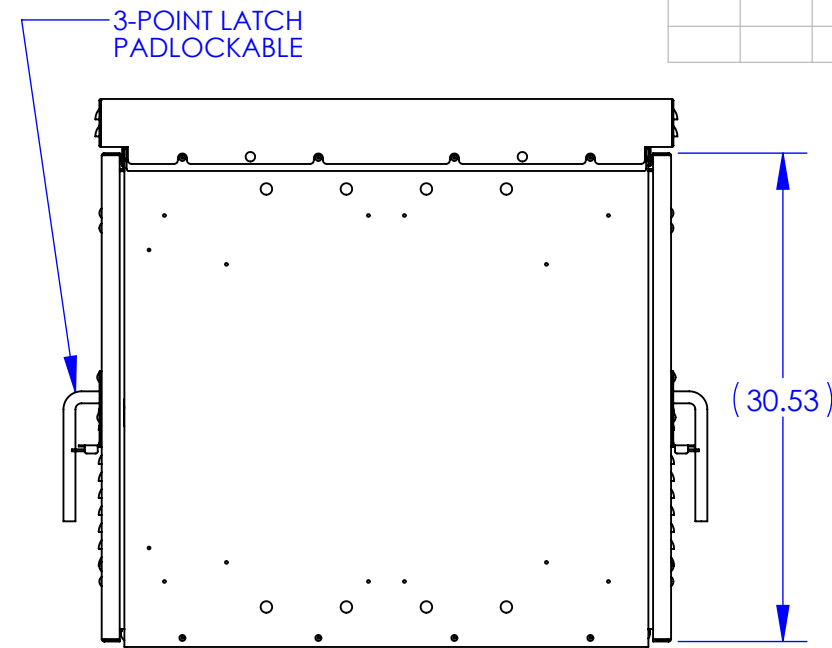
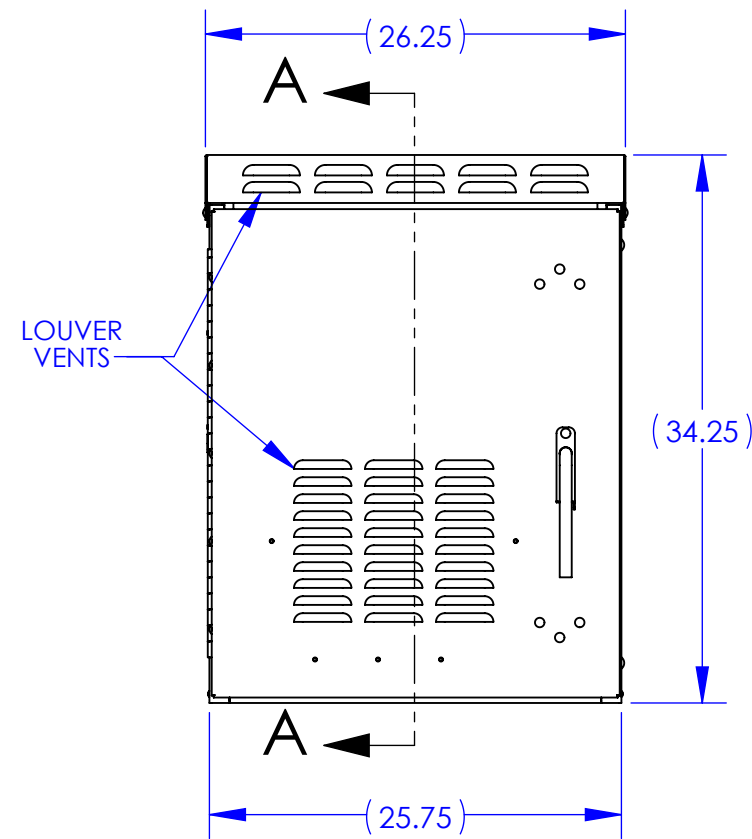
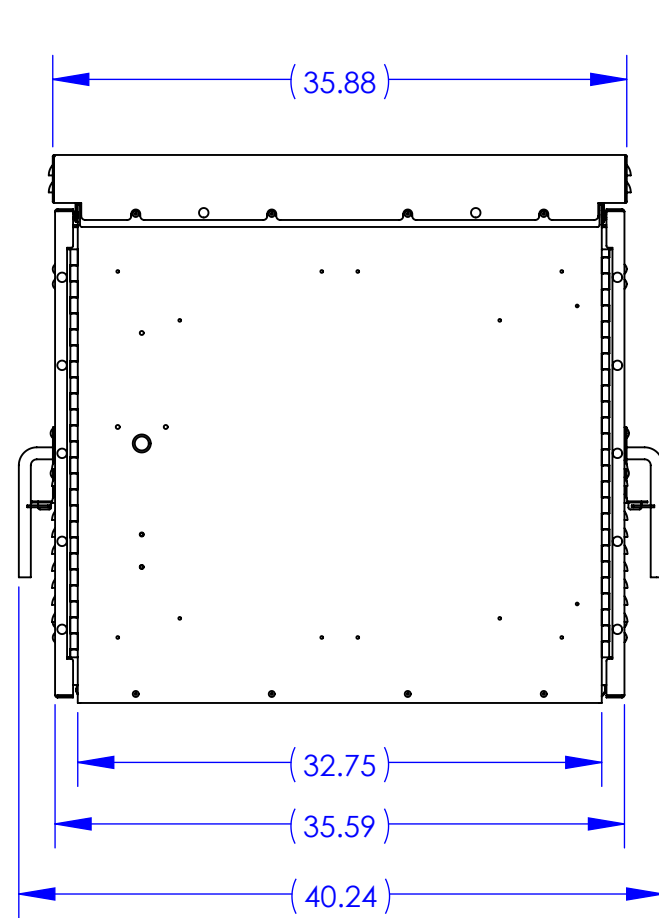
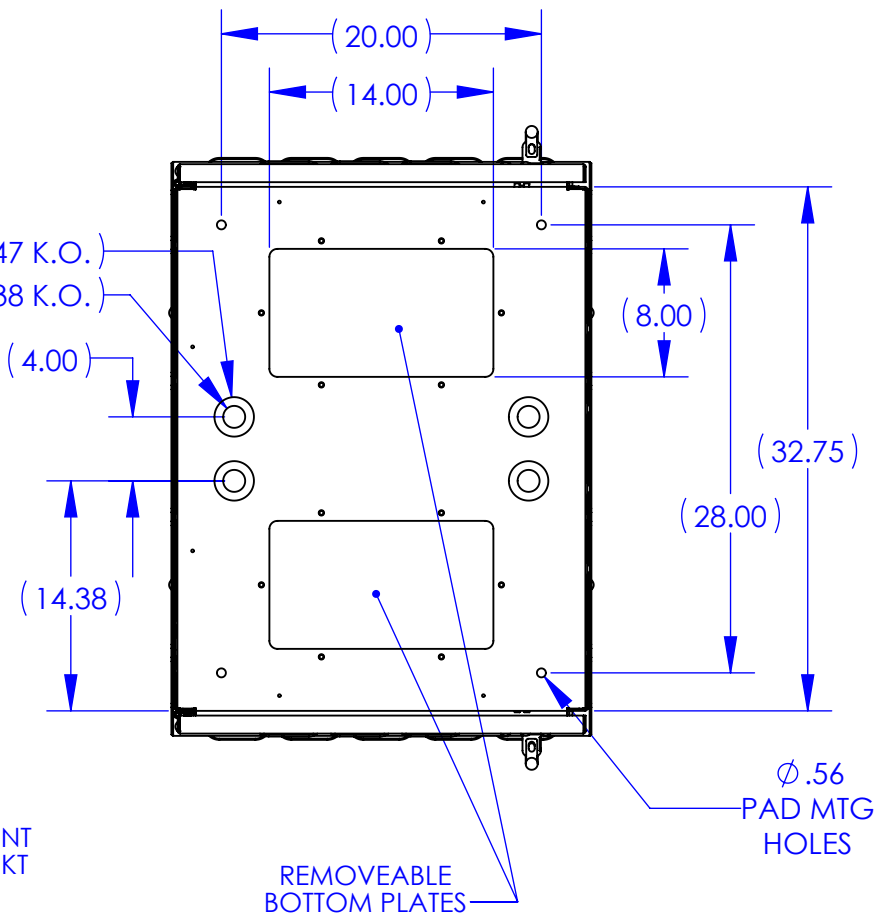
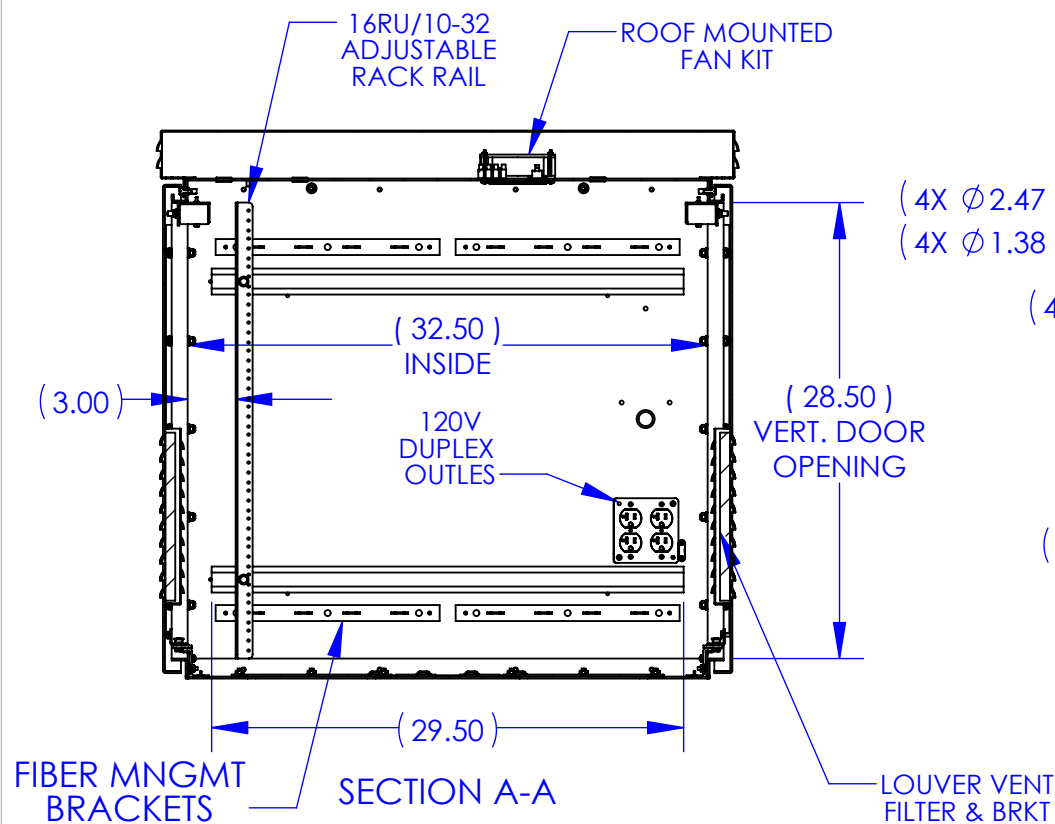


REV.	ECN #	DESCRIPTION OF CHANGE	DATE	BY	MFG ENG
01	N/A	INITIAL RELEASE	03/13/12	L.P.K.	



NOTE:

- MATL: ALL ALUMINUM CONSTRUCTION & WELDED SHELL
FINISH: ALMOND BEIGE POLYESTER POWDER COAT
CUSTOM COLORS UPON REQUEST
- UNIT IS SHOWN AS GROUND MNT BUT CAN BE MODIFIED TO A POLE/WALL MNT UNIT.
- UNIT IS EQUIPPED WITH 1 SET OF ADJUSTABLE RACK RAILS (16RU / 10-32) RAILS & CAN BE INSTALLED IN 19" OR 23" CONFIGURATION. RAILS HAVE 29" OF ADJUSTMENT FRONT TO BACK & AN ADDITIONAL SET OF RAILS CAN BE ADDED AS AN OPTION.
- EACH DOOR IS EQUIPPED WITH A 3-POINT LATCH SYSTEM THAT IS PADLOCKABLE. EACH DOOR HAS LOUVER VENTS WITH FIBERGLASS BUGSCREEN BACKING & REMOVEABLE RIDGEVENT FILTER INSTALLED. BOTH DOORS ARE COMPLETELY GASKETED WITH UL LISTED OPEN CELL FOAM GASKETING.
- UNIT SHOWN WITH DUAL 100CFM FAN OPTION INSTALLED & TWO 120V DUPLEX OUTLETS.
- UNIT EQUIPPED WITH 2 REMOVEABLE BOTTOM PLATES FOR POWER & FIBER ACCESS AS WELL AS KNOCKOUTS IF UNIT IS WALL OR POLE MOUNTED.
- ROOF IS REMOVEABLE AND IS EQUIPPED WITH LOUVER VENTS, FIBERGLASS BUGSCREEN AND RIDGEVENT FILTER BACKING.
- ADDITIONAL OPTIONS INCLUDE:
LIFTING HOOKS
SOLAR SHIELD
EXTERIOR SERVICE ENTRANCE
SINGLE & DUAL 100 CFM FAN KITS
WALL/POLE MOUNT BRACKET KIT
15W LIGHT AND TAMPER SWITCH KITS



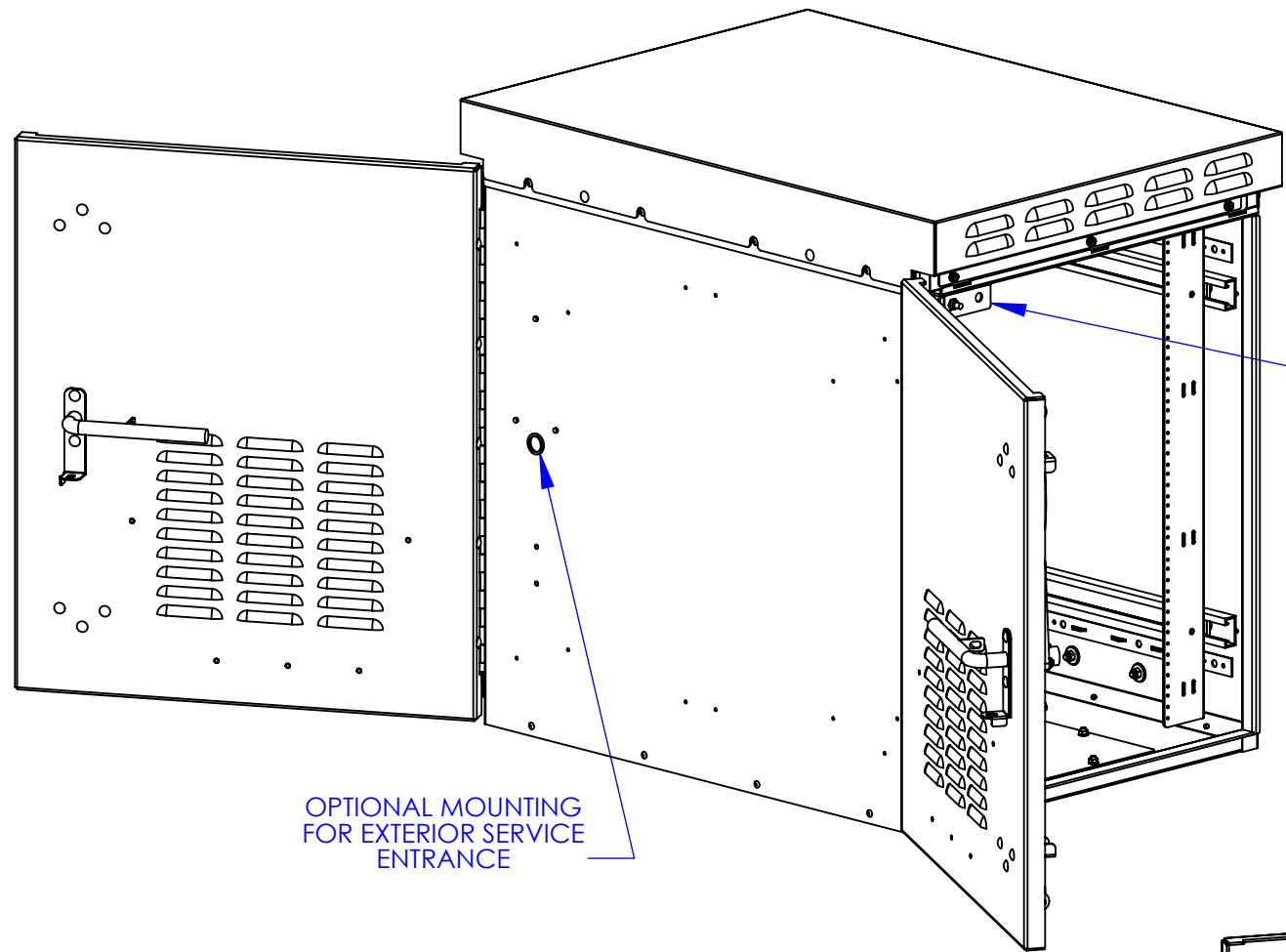
UNLESS OTHERWISE SPECIFIED DIMENSIONS ARE IN INCHES
TOLERANCES ARE:
FRACTIONS: DECIMALS: ANGLES:
±1/32 .XX±.03 ±1°
.XXX±.010
ALL FLATS TO BE ±.005
NO SHARP EDGES OR BURRS ALLOWED
MATERIAL: SEE B.O.M.
FINISH: ALMOND BEIGE
DO NOT SCALE DRAWING

THIS DOCUMENT AND THE INFORMATION CONTAINED THEREIN ARE CONFIDENTIAL & PROPRIETARY TO MULTILINK AND MAY NOT BE COPIED OR DISCLOSED TO OTHERS WITHOUT A WRITTEN CONSENT FROM MULTILINK. THE INFORMATION IS TO BE PROMPTLY RETURNED TO MULTILINK UPON REQUEST.
DRAWN BY: L.P.K. DATE: 03/13/2012
CHECKED: DATE:
MFG ENG: DATE:
QUALITY ENG: DATE:

Multilink

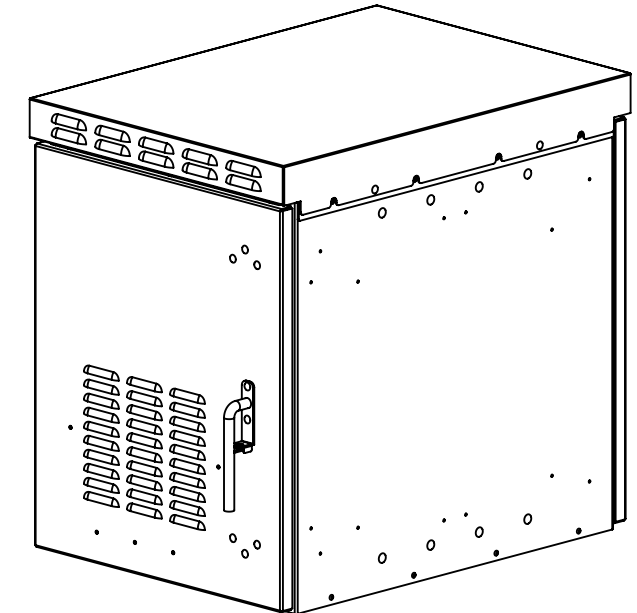
16RU-BE-DD-RACK ENCL

REV.	ECN #	DESCRIPTION OF CHANGE	DATE	BY	MFG ENG
01	N/A	INITIAL RELEASE	03/13/12	L.P.K.	



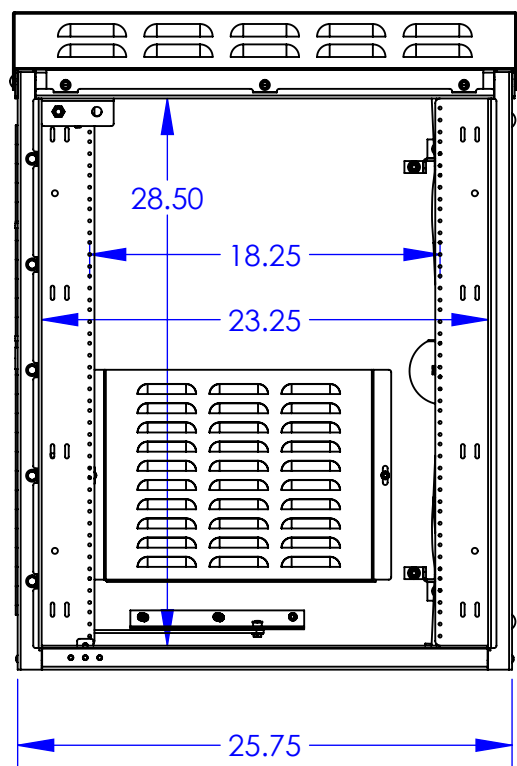
OPTIONAL MOUNTING FOR EXTERIOR SERVICE ENTRANCE

LIGHT & TAMPER SWITCH BOX



LIGHT & TAMPER SWITCH BOX

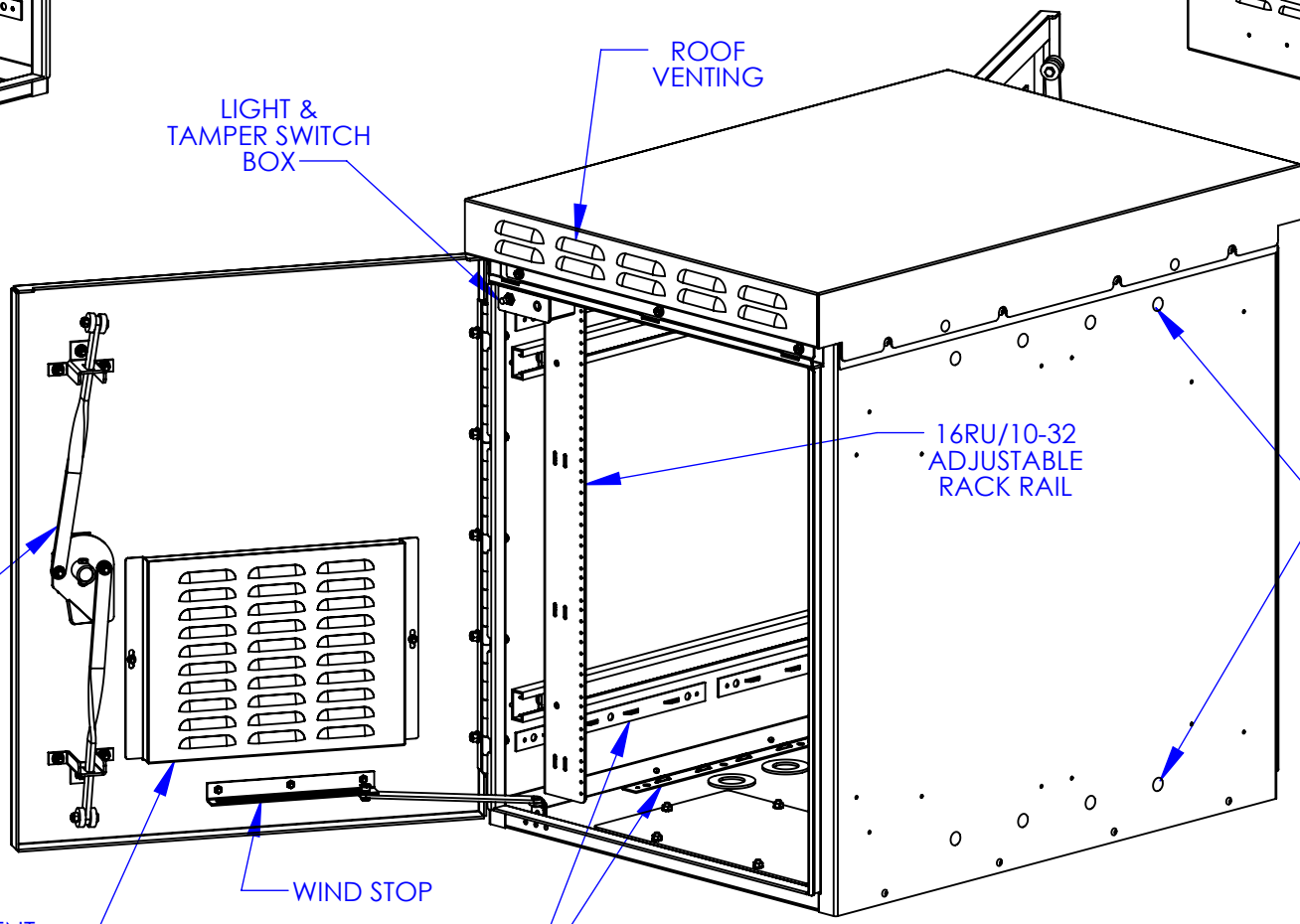
ROOF VENTING



FRONT VIEW W/DOOR REMOVED

3-POINT LATCH PADLOCKABLE

LOUVER VENT FILTER & BRKT



WIND STOP

FIBER MNGMT BRACKETS

16RU/10-32 ADJUSTABLE RACK RAIL

OPTIONAL MOUNTING FOR WALL/POLE MOUNT BRACKET KIT

UNLESS OTHERWISE SPECIFIED DIMENSIONS ARE IN INCHES TOLERANCES ARE:
 FRACTIONS: DECIMALS: ANGLES:
 ±1/32 .XX=±.03 ±1°
 .XXX=±.010
 ALL FLATS TO BE ±.005
NO SHARP EDGES OR BURRS ALLOWED
 MATERIAL: SEE B.O.M.
 FINISH: ALMOND BEIGE
 DO NOT SCALE DRAWING

THIS DOCUMENT AND THE INFORMATION CONTAINED THEREIN ARE CONFIDENTIAL & PROPRIETARY TO MULTILINK AND MAY NOT BE COPIED OR DISCLOSED TO OTHERS WITHOUT A WRITTEN CONSENT FROM MULTILINK. THE INFORMATION IS TO BE PROMPTLY RETURNED TO MULTILINK UPON REQUEST.
 DRAWN BY: L.P.K. DATE: 03/13/2012
 CHECKED: DATE:
 MFG ENG: DATE:
 QUALITY ENG: DATE:

Multilink

16RU-BE-DD-RACK ENCL