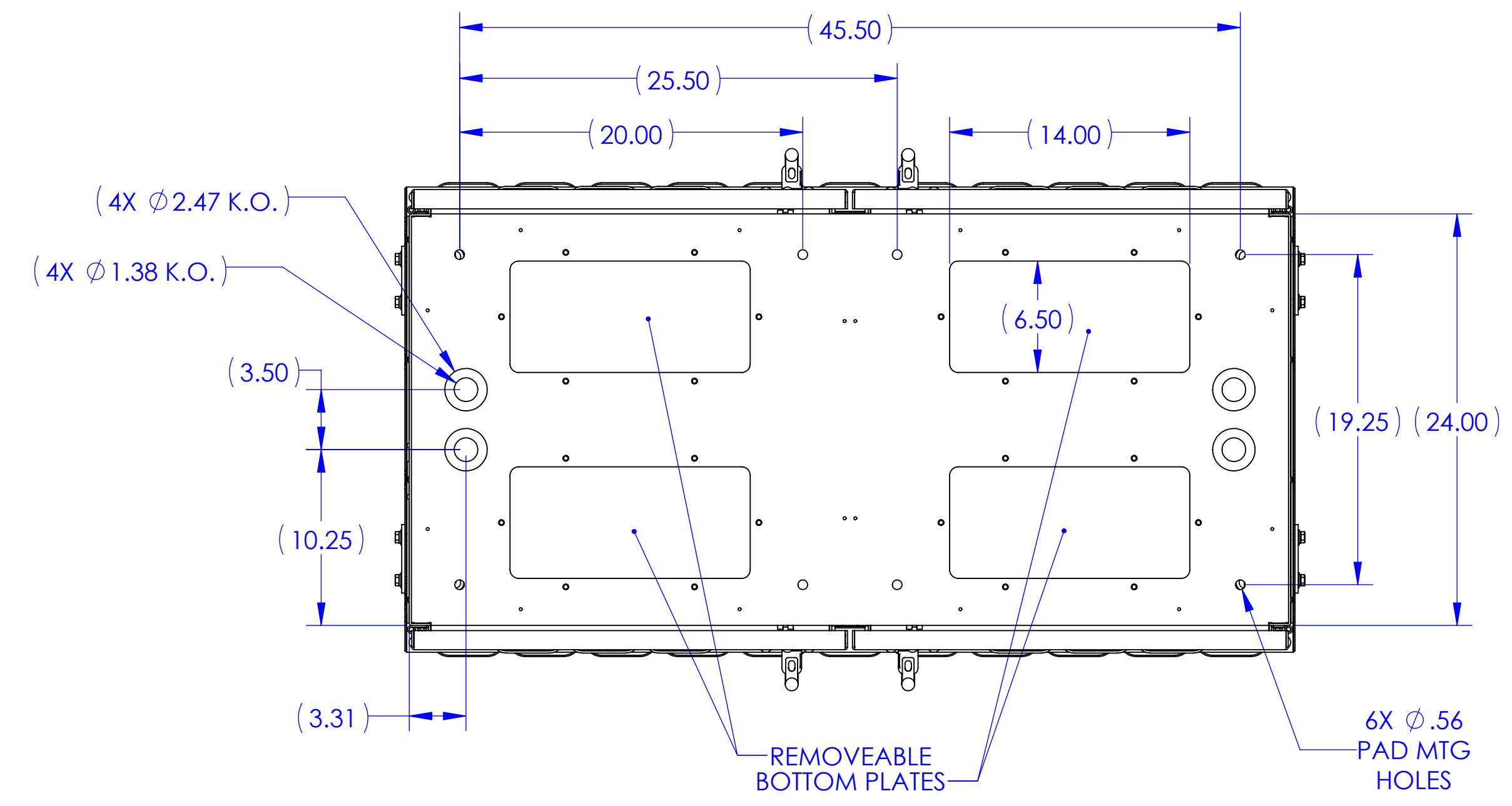
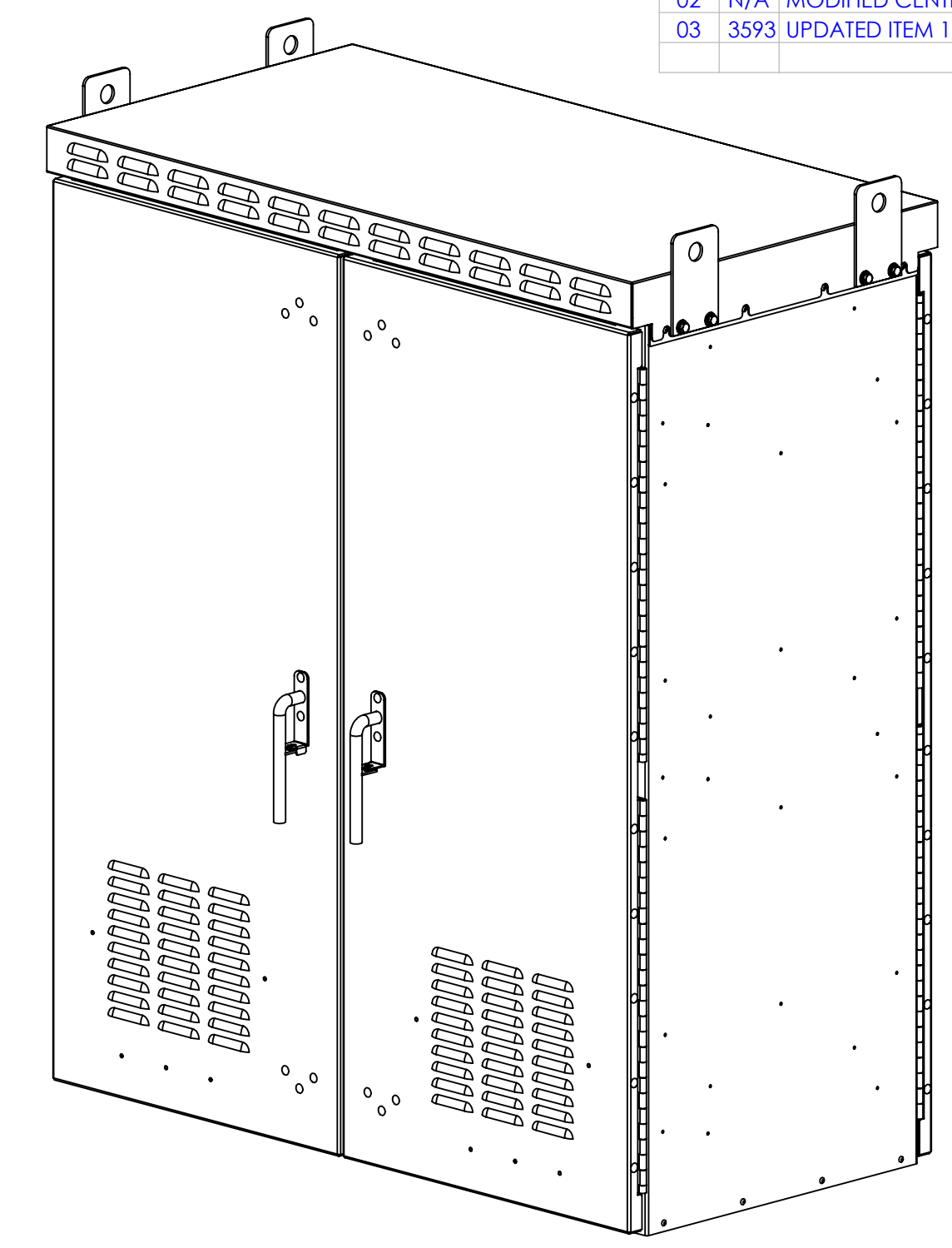
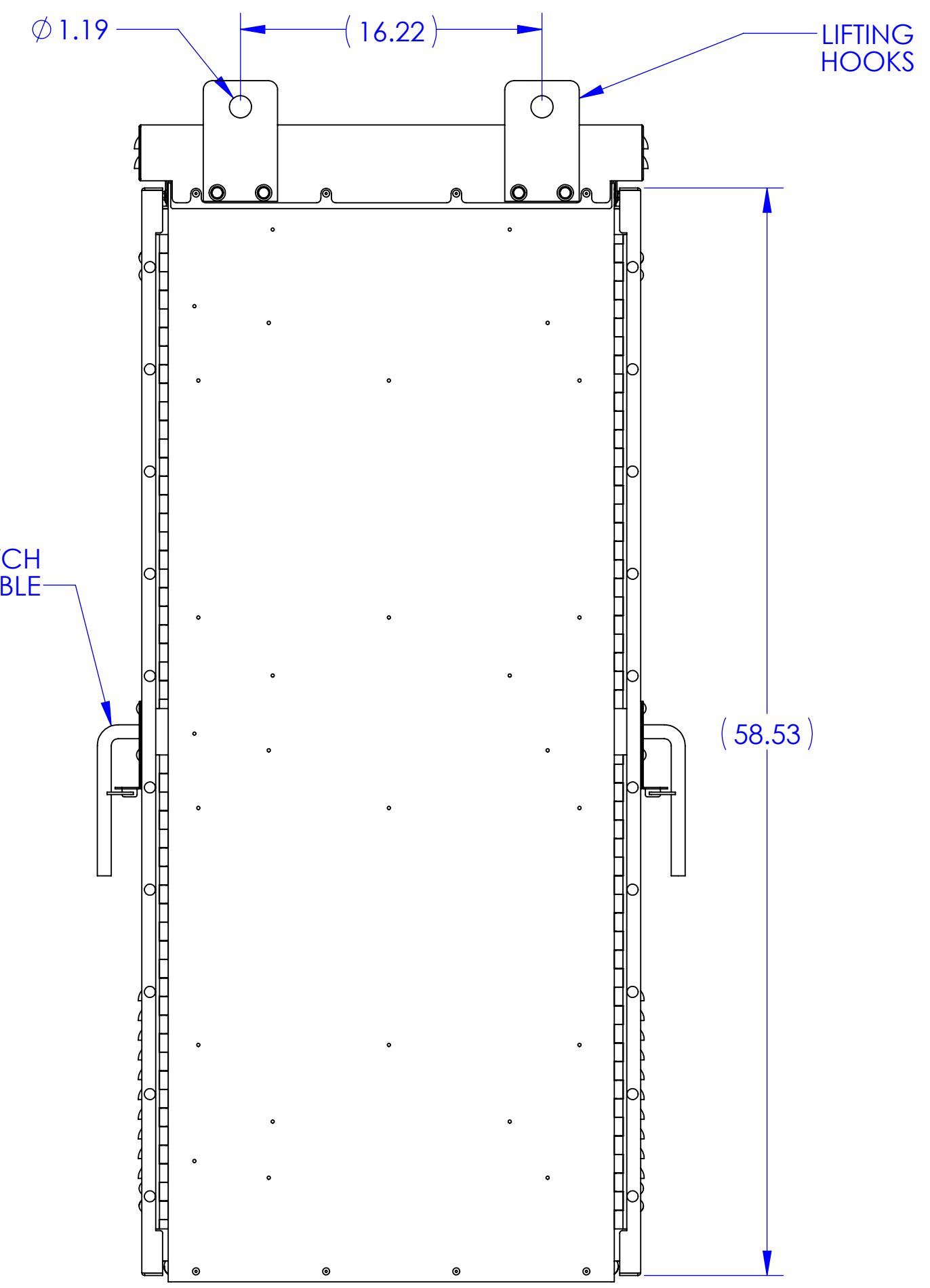
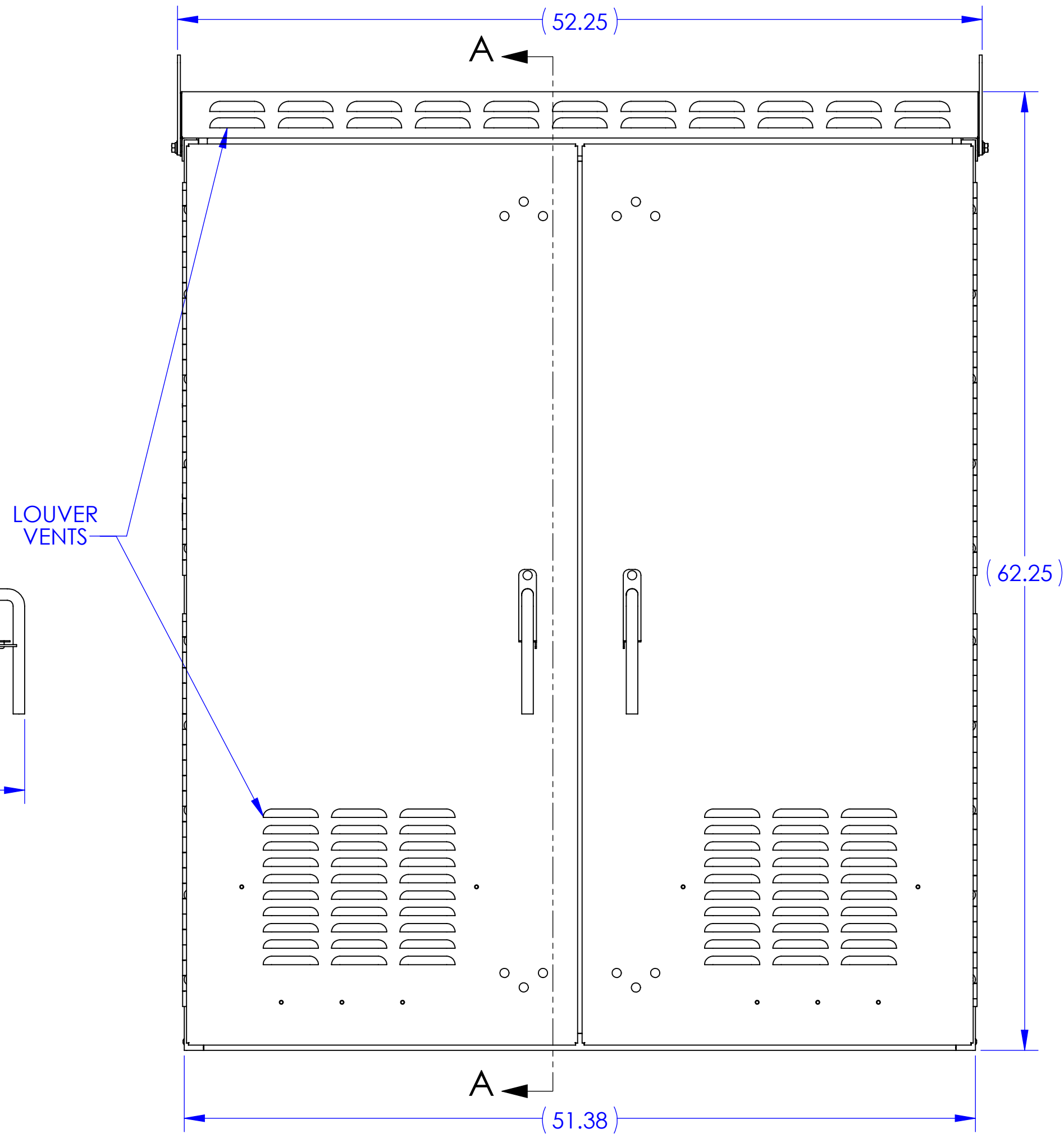
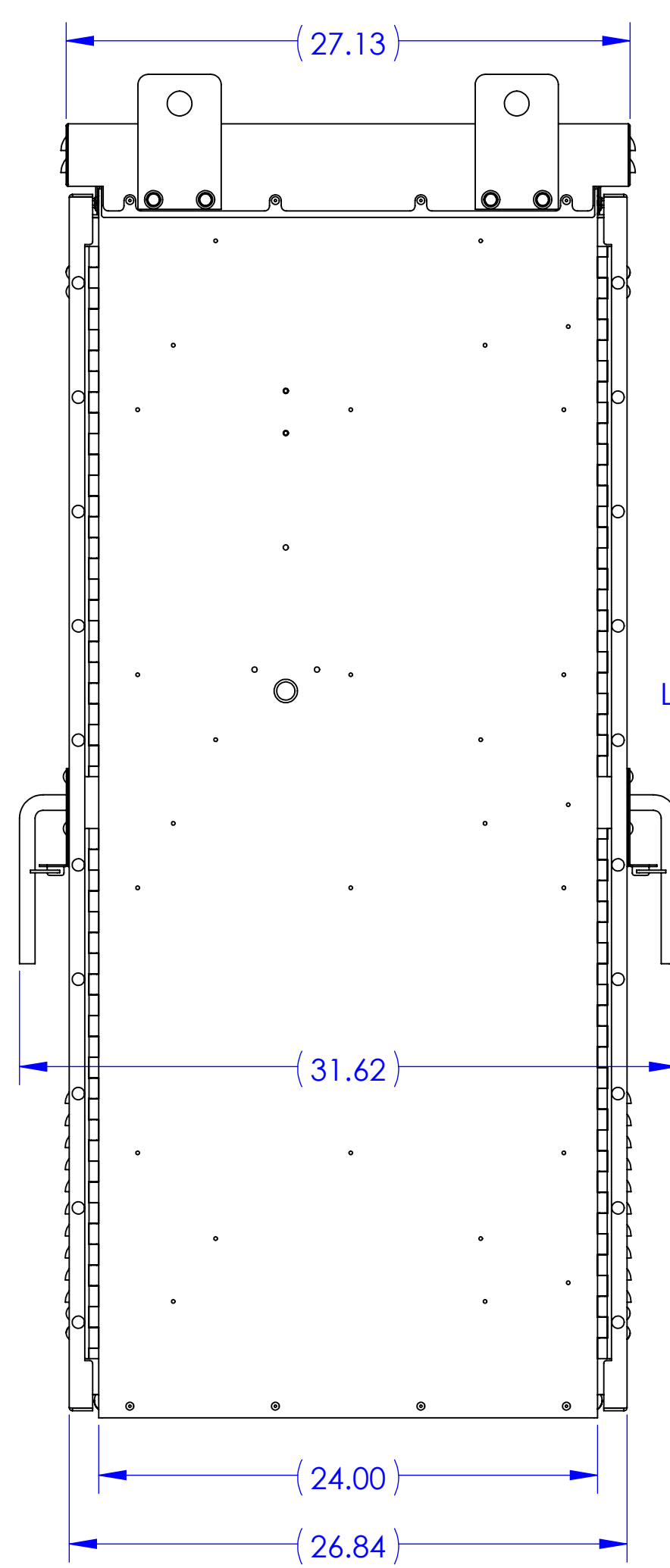
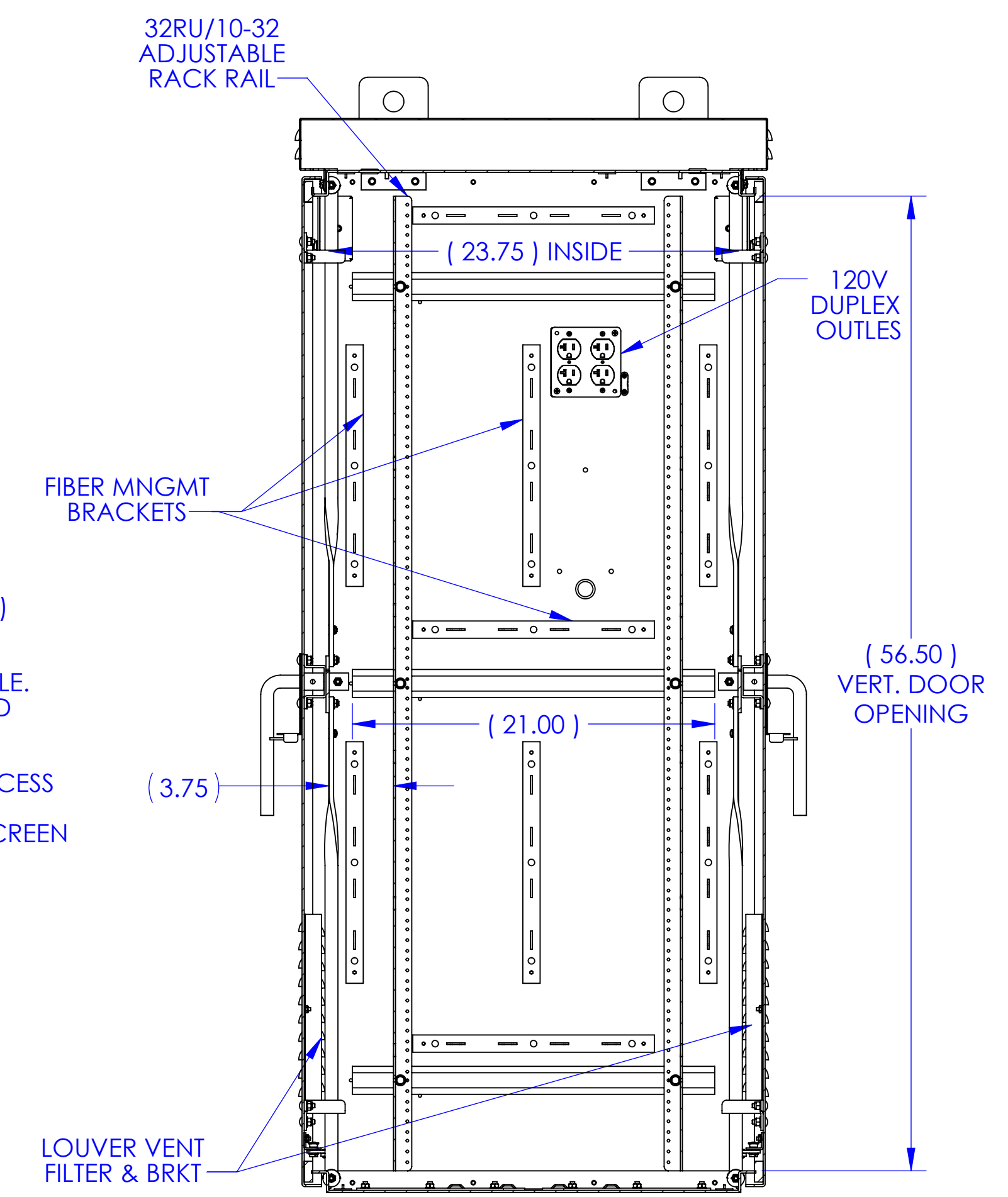


REV.	ECH #	DESCRIPTION OF CHANGE	DATE	BY	MFG ENG
01	N/A	INITIAL RELEASE	05/11/12	L.P.K.	
02	N/A	MODIFIED CENTER PANEL	09/24/12	L.P.K.	
03	3593	UPDATED ITEM 1/MODIFIED BOM	04/07/15	L.P.K.	



- NOTE:
- MATL: ALL ALUMINUM CONSTRUCTION & WELDED SHELL  
FINISH: ALMOND BEIGE POLYESTER POWDER COAT  
CUSTOM COLORS UPON REQUEST
  - UNIT SHOWN IS TO BE GROUND MOUNTED ON A CONCRETE PAD.
  - UNIT IS EQUIPPED WITH 4 SETS OF ADJUSTABLE RACK RAILS (32RU EACH / 10-32) RAILS & CAN BE INSTALLED IN 19" OR 23" CONFIGURATION. RAILS HAVE 20" OF ADJUSTMENT FRONT TO BACK.
  - EACH DOOR IS EQUIPPED WITH A 3-POINT LATCH SYSTEM THAT IS PADLOCKABLE. EACH DOOR HAS LOUVER VENTS WITH FIBERGLASS BUGSCREEN BACKING AND REMOVEABLE RIDGEVENT FILTER INSTALLED. BOTH DOORS ARE COMPLETELY GASKETED WITH UL LISTED OPEN CELL FOAM GASKETING.
  - UNIT EQUIPPED WITH 4 REMOVEABLE BOTTOM PLATES FOR POWER & FIBER ACCESS AS WELL AS KNOCKOUTS IF UNIT IS REQUIRED TO BE SEALED.
  - ROOF IS REMOVEABLE & IS EQUIPPED WITH LOUVER VENTS, FIBERGLASS BUGSCREEN AND RIDGEVENT FILTER BACKING.
  - ADDITIONAL OPTIONS INCLUDE:  
LIFTING HOOKS  
SOLAR SHIELD  
EXTERIOR SERVICE ENTRANCE  
AC & DC SINGLE & DUAL 100 CFM FAN KITS  
15W LIGHTS AND TAMPER SWITCH KITS



SECTION A-A

UNLESS OTHERWISE SPECIFIED DIMENSIONS ARE IN INCHES  
TOLERANCES ARE:  
FRACTIONS: DECIMALS: ANGLES:  
±1/32 .005 ±.010 ±1°

ALL FLATS TO BE ±.005

NO SHARP EDGES OR BURRS ALLOWED

MATERIAL: SEE B.O.M.  
FINISH: ALMOND BEIGE

DO NOT SCALE DRAWING

THIS DOCUMENT AND THE INFORMATION CONTAINED HEREIN ARE CONFIDENTIAL & PROPRIETARY TO MULTILINK AND SHALL NOT BE COPIED OR DISCLOSED TO OTHERS WITHOUT THE WRITTEN CONSENT FROM MULTILINK. THE INFORMATION IS TO BE PROMPTLY RETURNED TO MULTILINK UPON REQUEST.

DRAWN BY: L.P.K. DATE: 05/11/2012  
CHECKED BY: DATE:

MATERIAL: SEE B.O.M. DATE: DATE:  
MFG ENG: ALMOND BEIGE DATE: DATE:  
QUALITY ENG: DATE: DATE:

128RU-BE-DD-RACK ENCL

DWG. NO. 030-247-10REF  
SCALE: 1:1

REV. 03  
1 OF 2

**Multilink**

