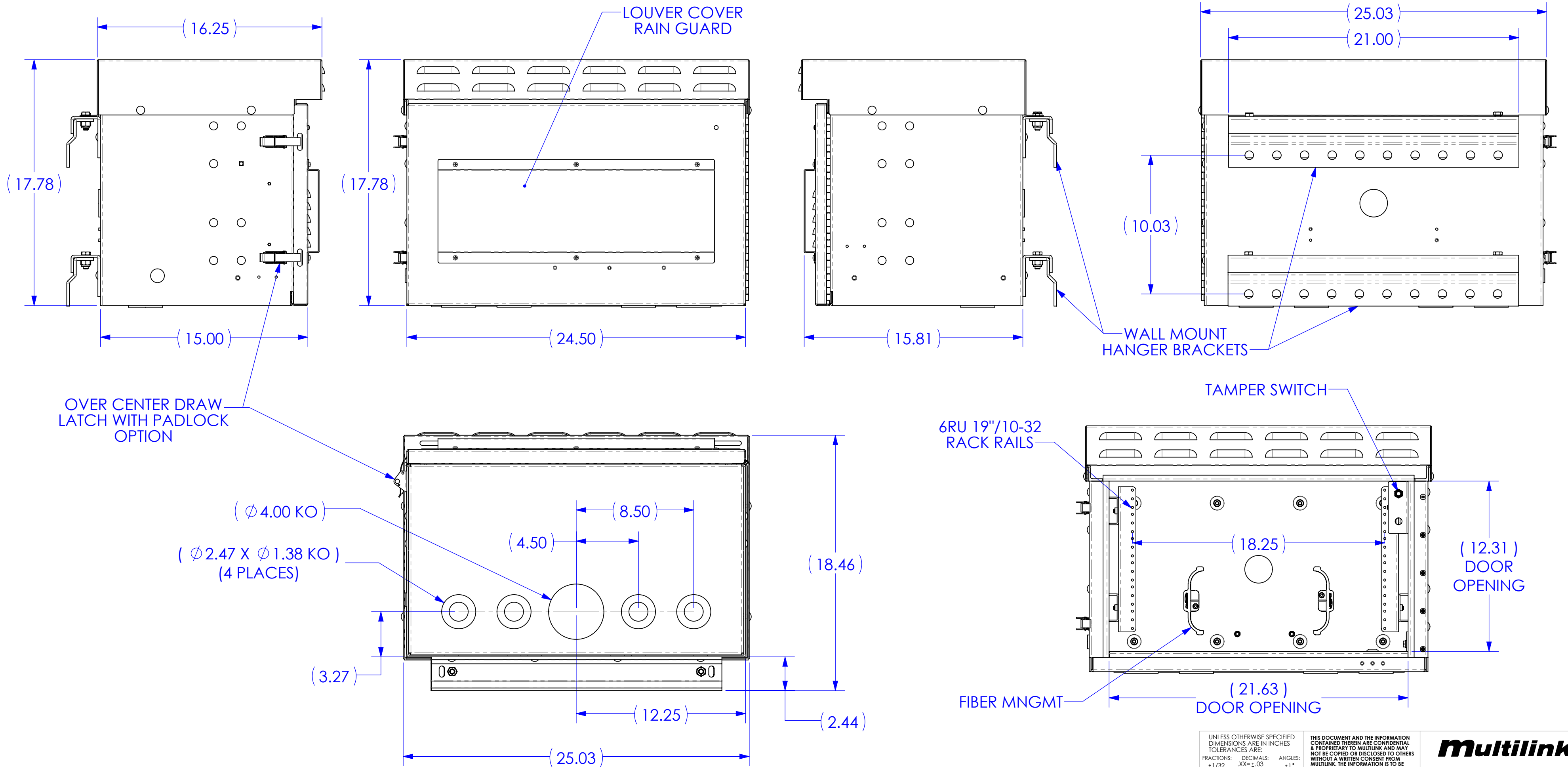
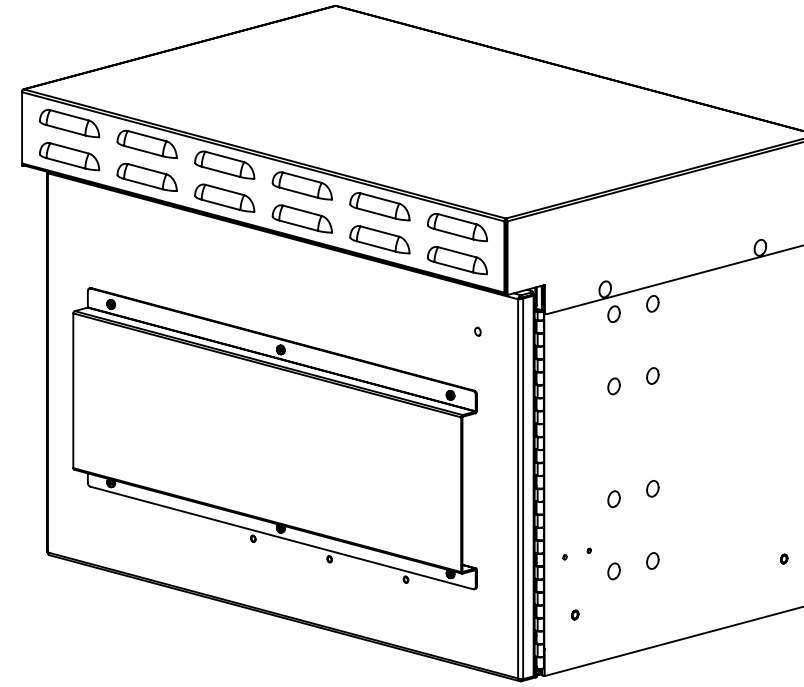
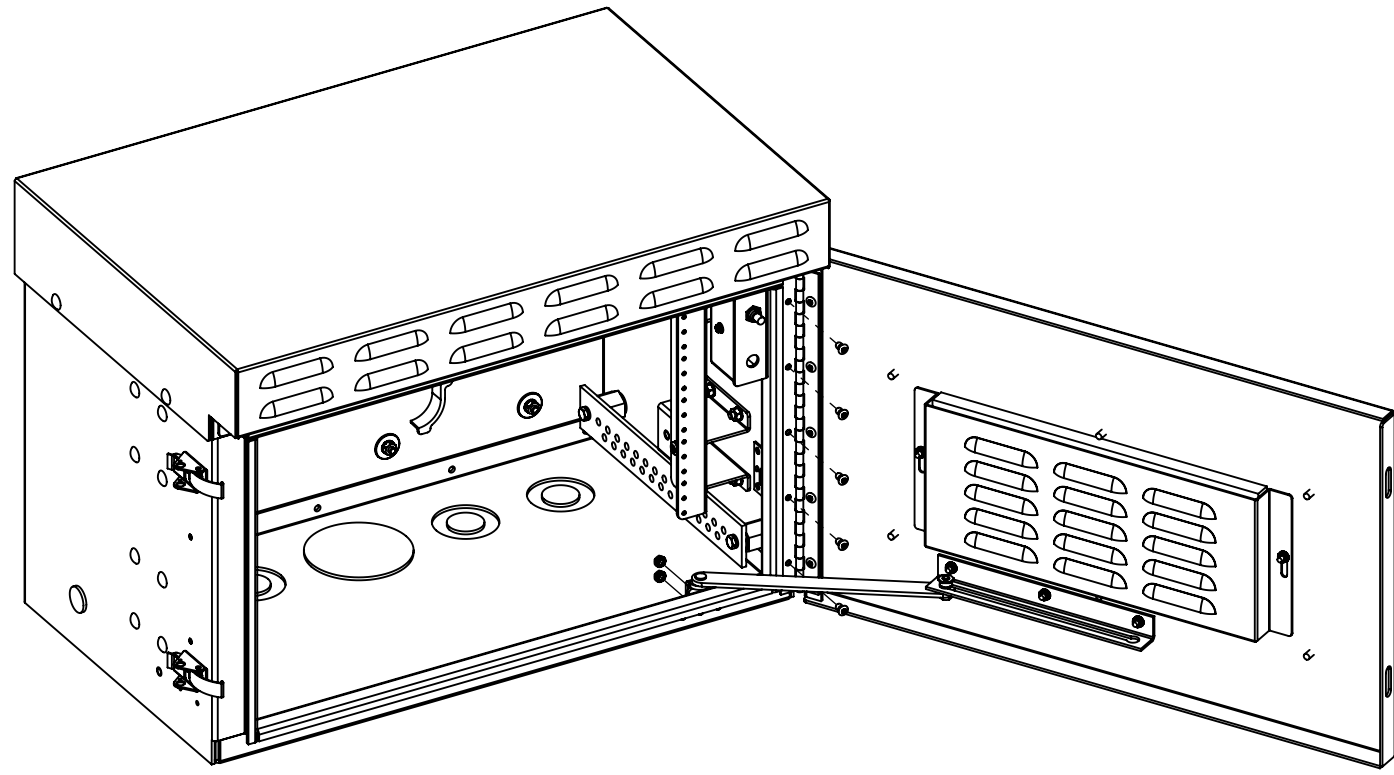


REV.	ECN #	DESCRIPTION OF CHANGE	DATE	BY	MFG ENG
01	N/A	INITIAL RELEASE	08/19/13	SJK	



UNLESS OTHERWISE SPECIFIED DIMENSIONS ARE IN INCHES TOLERANCES ARE:
 FRACTIONS: DECIMALS: ANGLES:
 ±1/32 .XX±.03 ±1°
 .XXX±.010 ±1°

ALL FLATS TO BE ±.005
NO SHARP EDGES OR BURRS ALLOWED

MATERIAL: SEE B.O.M
 FINISH: BEIGE

DO NOT SCALE DRAWING

THIS DOCUMENT AND THE INFORMATION CONTAINED THEREIN ARE CONFIDENTIAL & PROPRIETARY TO MULTILINK AND MAY NOT BE COPIED OR DISCLOSED TO OTHERS WITHOUT A WRITTEN CONSENT FROM MULTILINK. THE INFORMATION IS TO BE PROMPTLY RETURNED TO MULTILINK UPON REQUEST.

DRAWN BY: SJK
 CHECKED: SJK
 MFG ENG: SJK
 QUALITY ENG: SJK

DATE: 08/19/13



RACK ENCL BE 6RU
 UNISTRUT MNT
 W/O 1RU