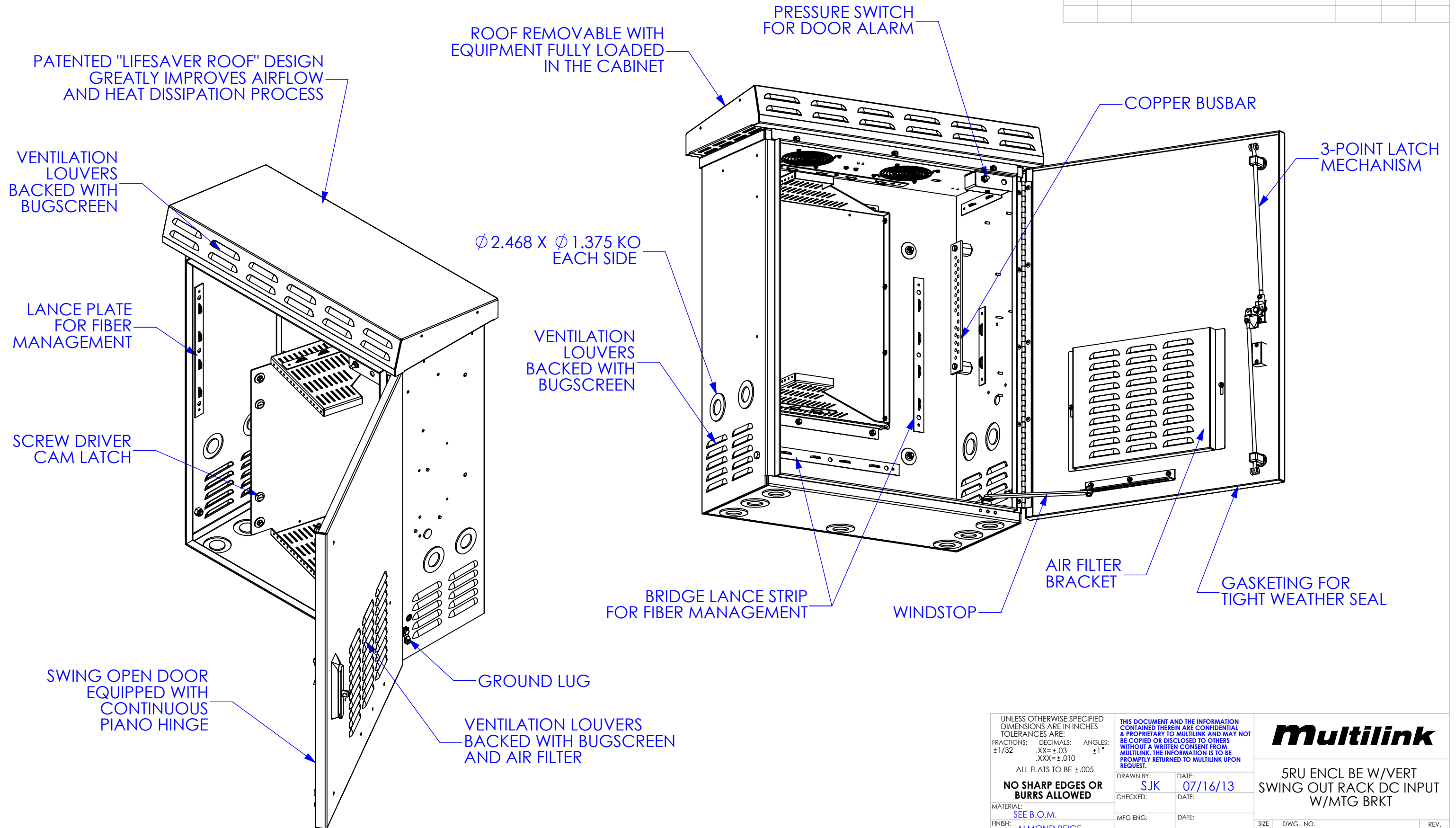


REV.	ECN #	DESCRIPTION OF CHANGE	DATE	BY	MFG ENG
01	N/A	INITIAL RELEASE	07/16/13	SJK	



UNLESS OTHERWISE SPECIFIED DIMENSIONS ARE IN INCHES TOLERANCES ARE:
 FRACTIONS: ± 1/32
 DECIMALS: .XX = ± .03
 ANGLES: ± 1°
 .XXX = ± .010
 ALL FLATS TO BE ± .005
NO SHARP EDGES OR BURRS ALLOWED
 MATERIAL: SEE B.O.M.
 FINISH: ALMOND BEIGE
 DO NOT SCALE DRAWING

THIS DOCUMENT AND THE INFORMATION CONTAINED THEREIN ARE CONFIDENTIAL & PROPRIETARY TO MULTILINK AND MAY NOT BE COPIED OR DISCLOSED TO OTHERS WITHOUT A WRITTEN CONSENT FROM MULTILINK. THE INFORMATION IS TO BE PROMPTLY RETURNED TO MULTILINK UPON REQUEST.

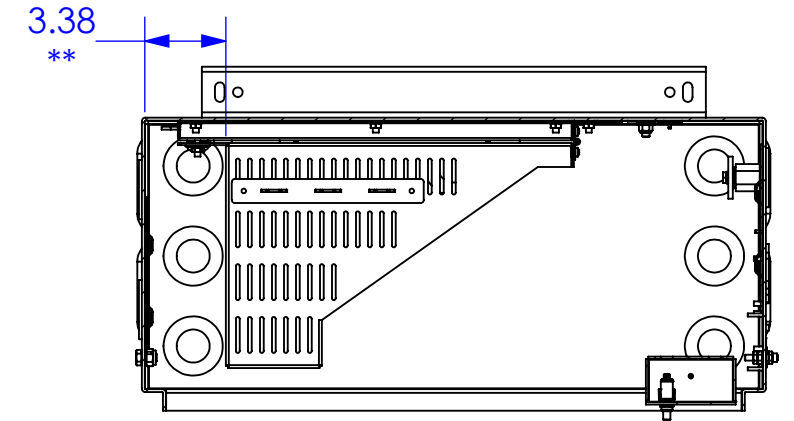
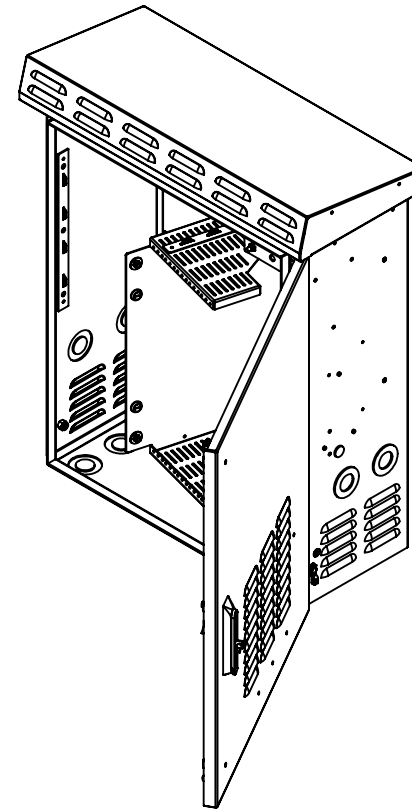
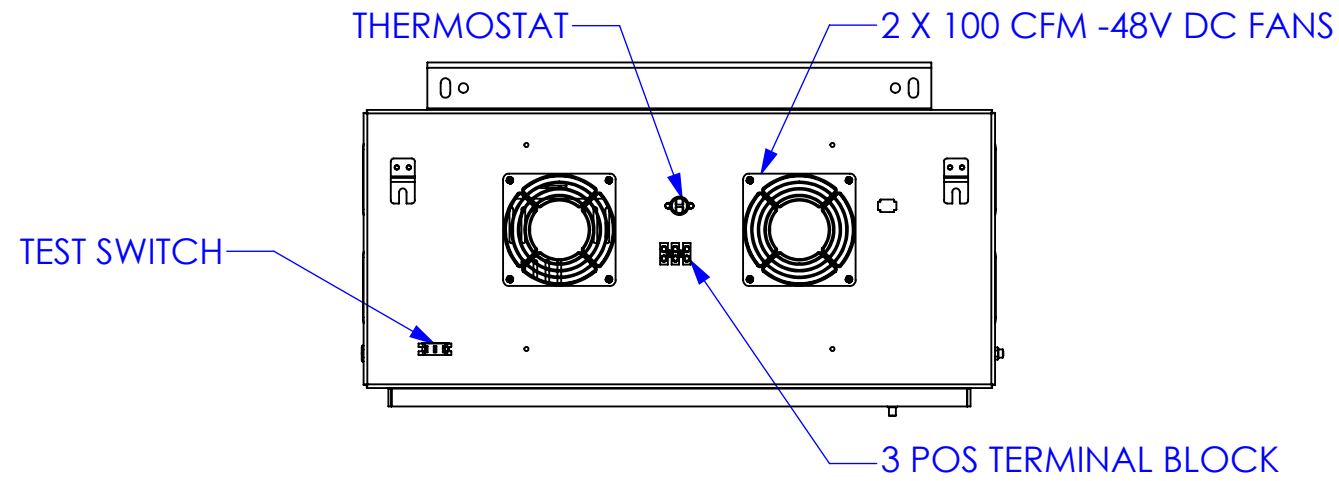
DRAWN BY: SJK
 DATE: 07/16/13
 CHECKED: DATE:
 MFG ENG: DATE:
 QUALITY ENG: DATE:

Multilink

5RU ENCL BE W/VERT SWING OUT RACK DC INPUT W/MTG BRKT

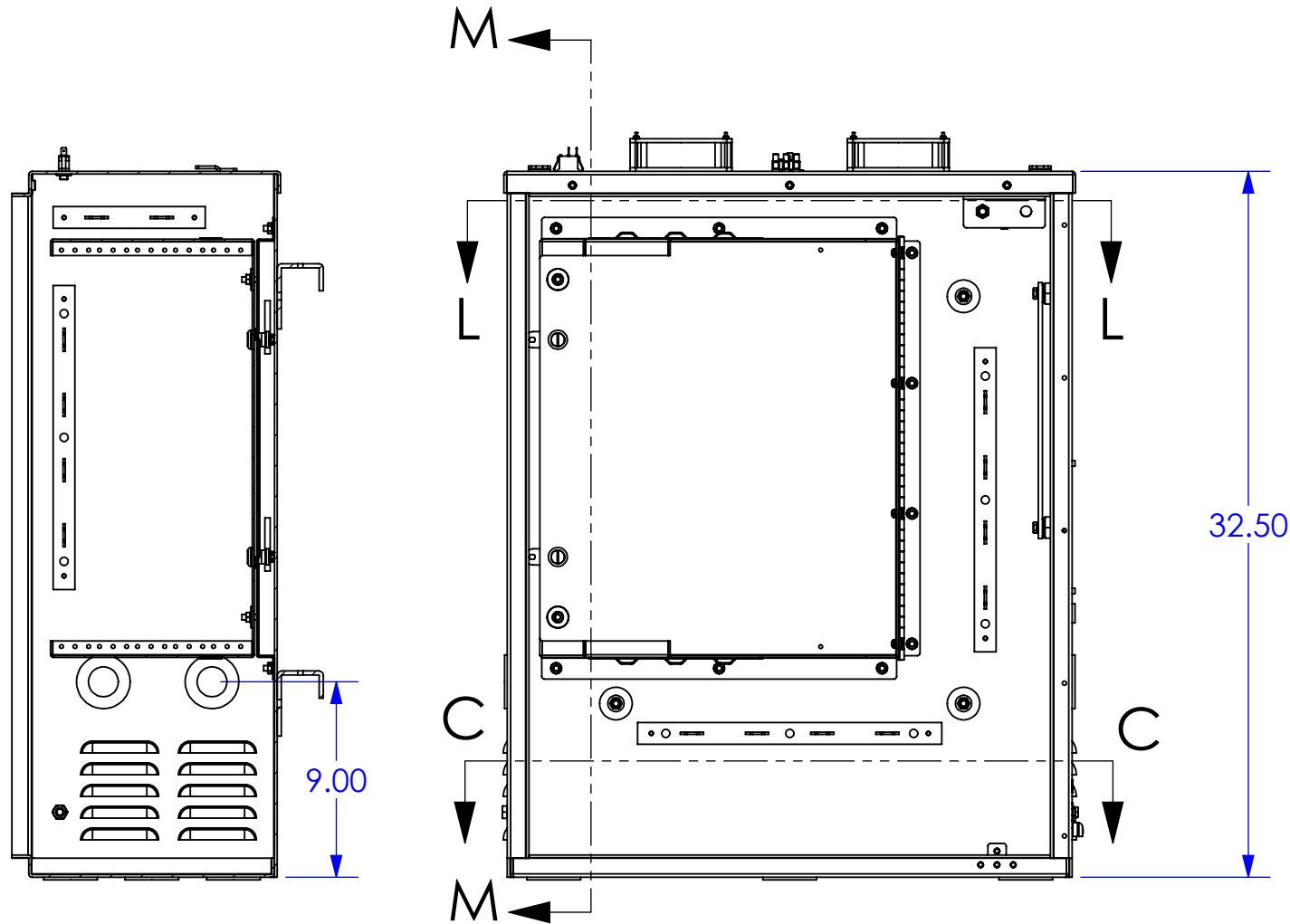
SIZE **B** DWG. NO. 030-264-10REF REV. 01
 SCALE: 1:8 CAD FILE: 030-264-10REF SHEET: 1 OF 4

REV.	ECN #	DESCRIPTION OF CHANGE	DATE	BY	MFG ENG
01	N/A	INITIAL RELEASE	07/16/13	SJK	



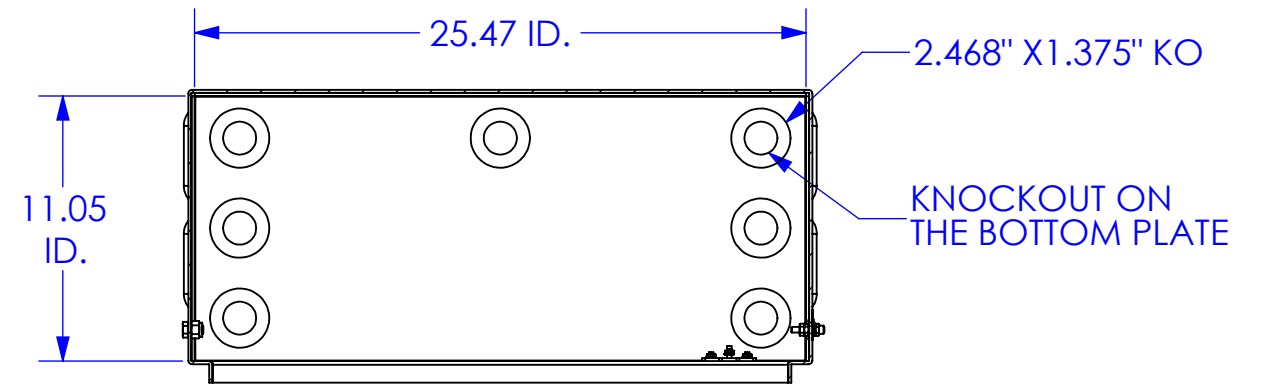
SECTION L-L
SCALE 1 : 8

** THE DISTANCE BETWEEN THE INSIDE OF THE ENCLOSURE (LEFT SIDE) AND THE 5RU RACK (WHERE THE EQUIPMENT MOUNTS)



SECTION M-M
SCALE 1 : 8

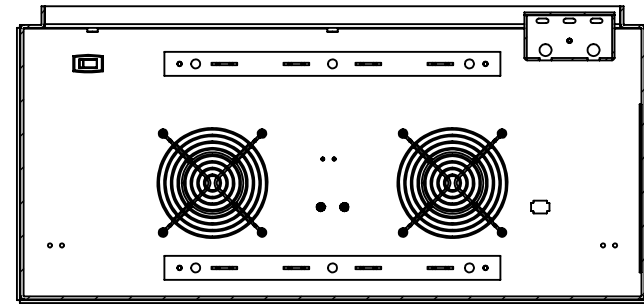
(ROOF AND DOOR HIDDEN)



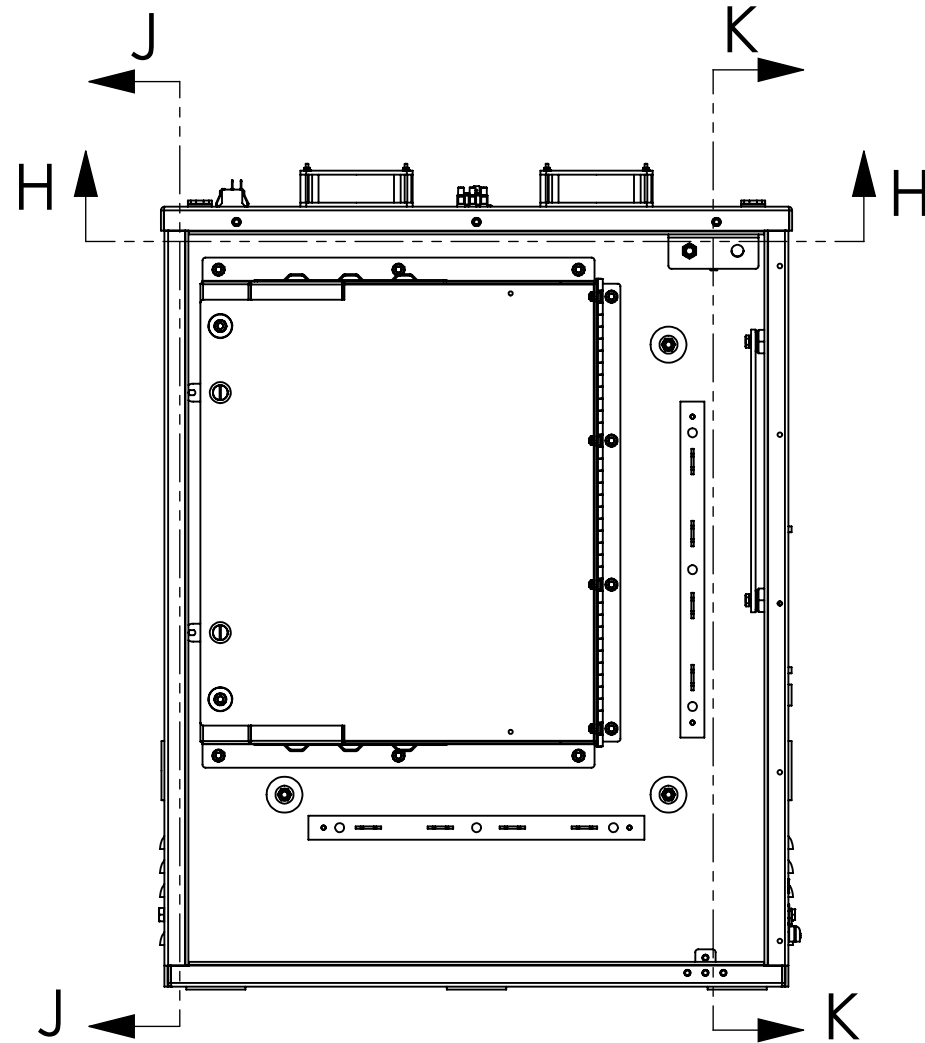
SECTION C-C
SCALE 1 : 8

UNLESS OTHERWISE SPECIFIED DIMENSIONS ARE IN INCHES TOLERANCES ARE: FRACTIONS: DECIMALS: ANGLES: ± 1/32 .XX = ± .03 ± 1° .XXX = ± .010		THIS DOCUMENT AND THE INFORMATION CONTAINED THEREIN ARE CONFIDENTIAL & PROPRIETARY TO MULTILINK AND MAY NOT BE COPIED OR DISCLOSED TO OTHERS WITHOUT A WRITTEN CONSENT FROM MULTILINK. THE INFORMATION IS TO BE PROMPTLY RETURNED TO MULTILINK UPON REQUEST.	Multilink	
ALL FLATS TO BE ± .005			5RU ENCL BE W/VERT SWING OUT RACK DC INPUT W/MTG BRKT	
NO SHARP EDGES OR BURRS ALLOWED		DRAWN BY: SJK	DATE: 07/16/13	REV. 01
MATERIAL: SEE B.O.M.		CHECKED:	DATE:	
FINISH: ALMOND BEIGE		MFG ENG:	DATE:	SCALE: 1:12 DWG. NO. 030-264-10REF
DO NOT SCALE DRAWING		QUALITY ENG:	DATE:	

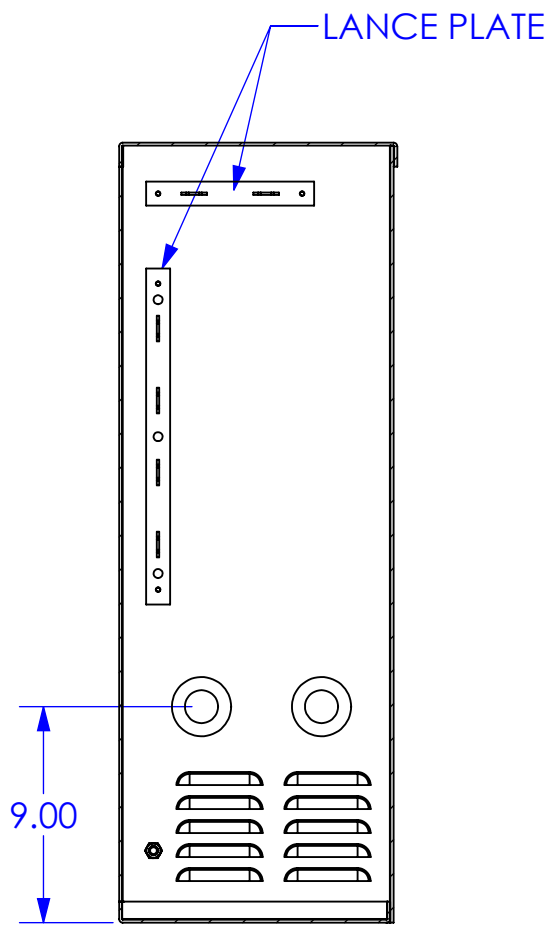
REV.	ECN #	DESCRIPTION OF CHANGE	DATE	BY	MFG ENG
01	N/A	INITIAL RELEASE	07/16/13	SJK	



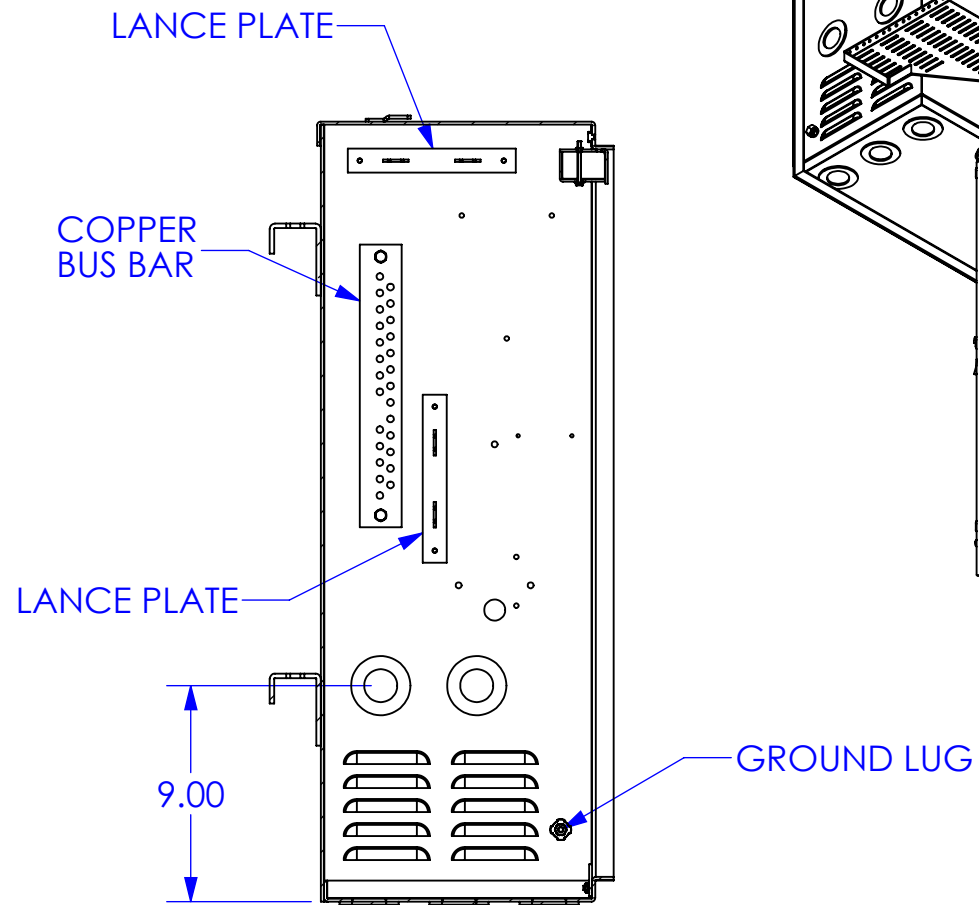
SECTION H-H



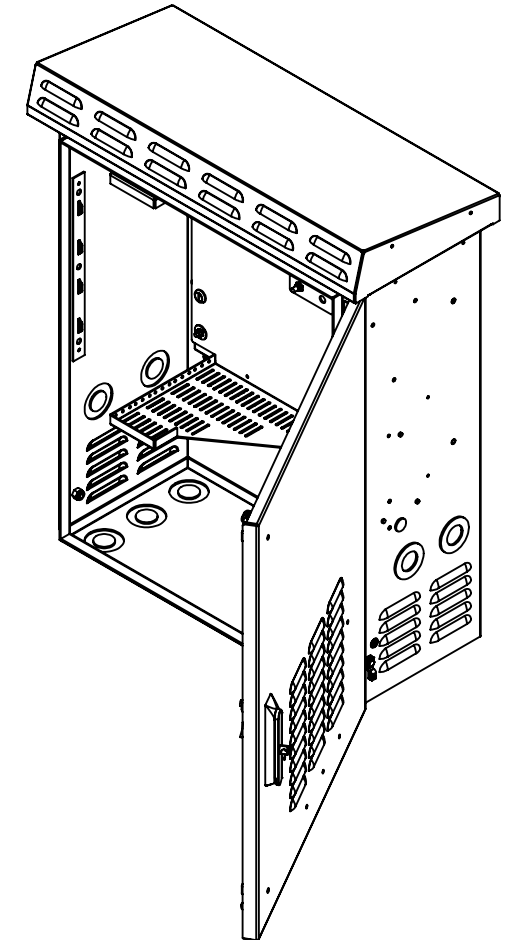
(ROOF AND DOOR HIDDEN)



SECTION J-J



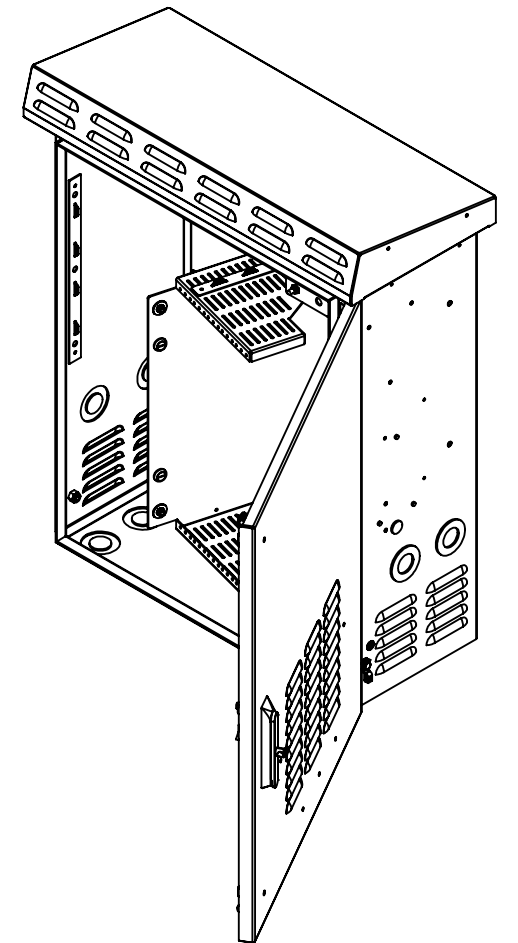
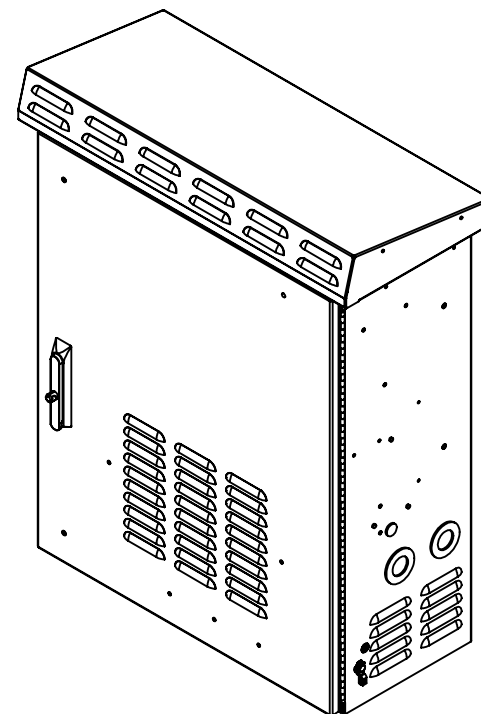
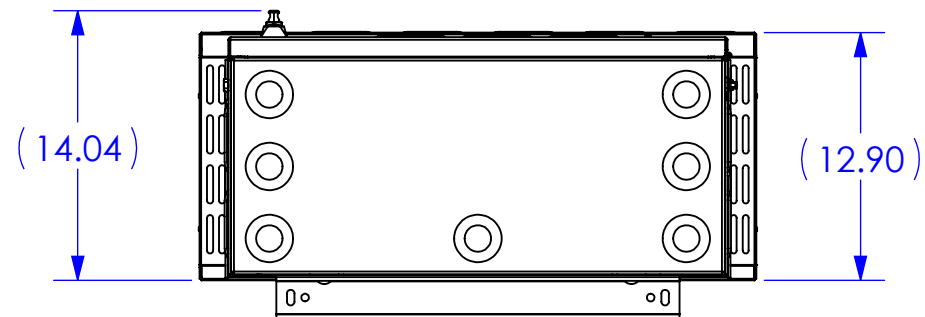
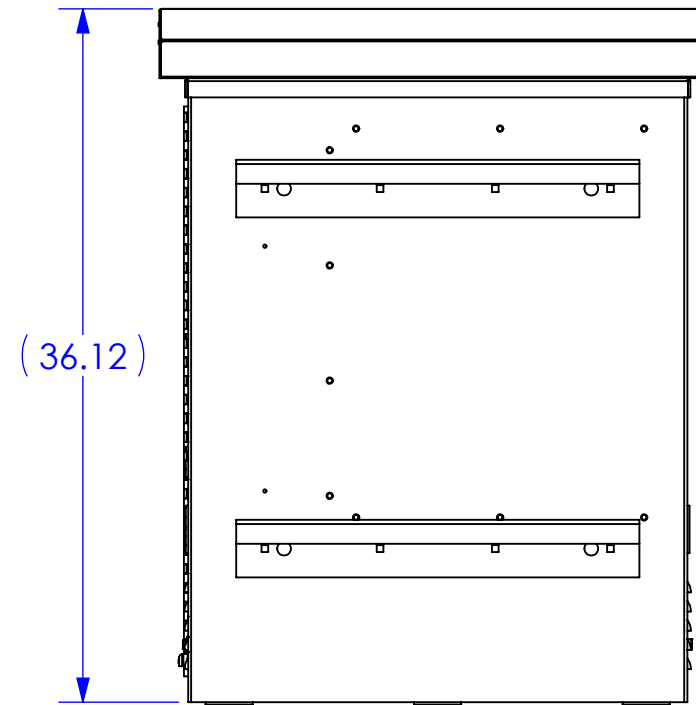
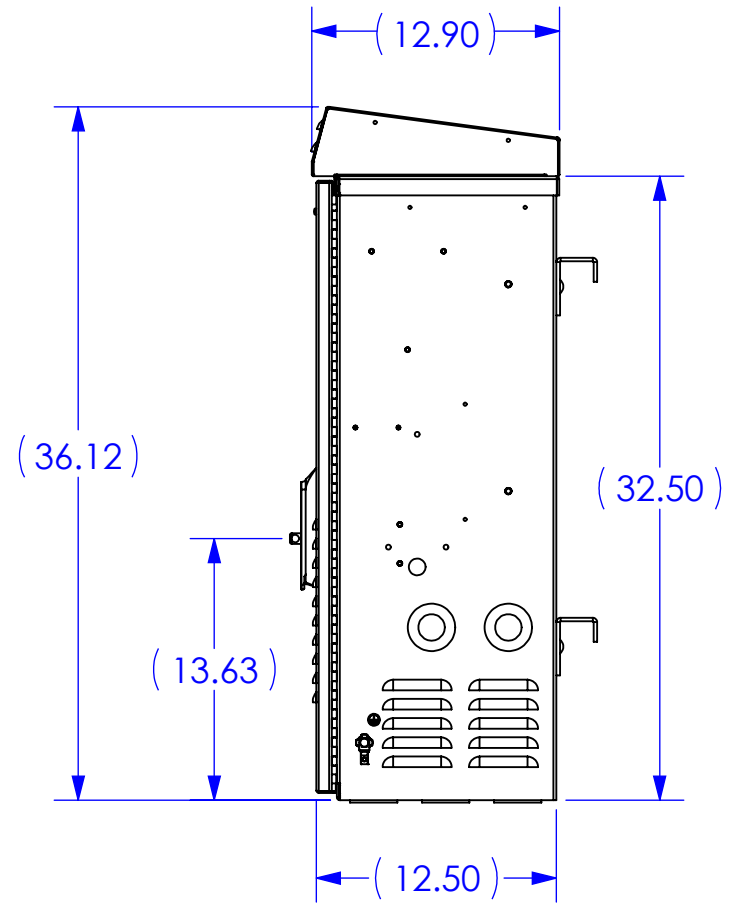
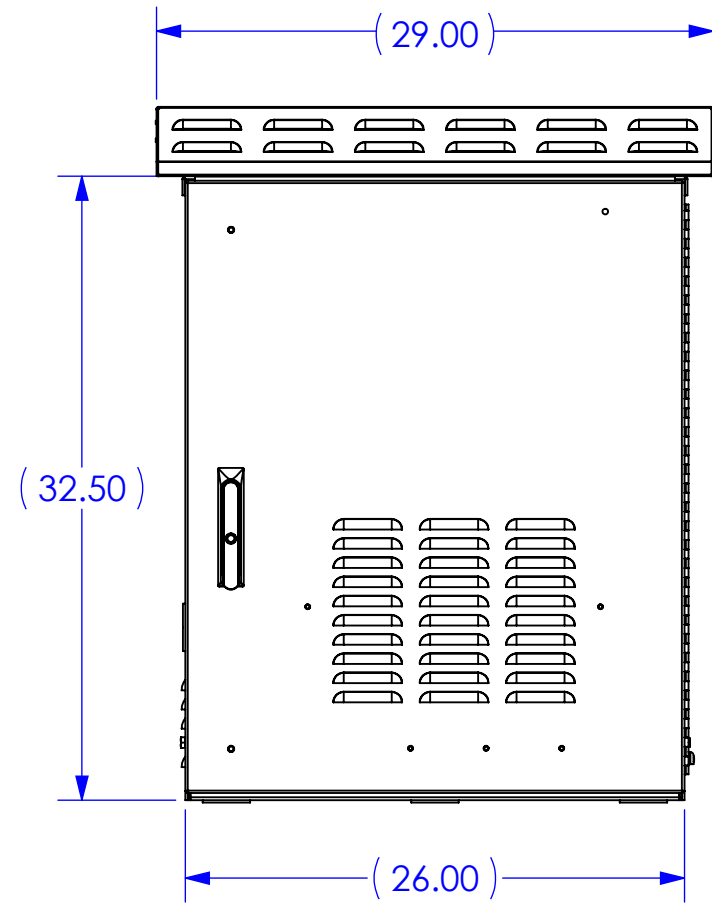
SECTION K-K



(THIS SHEET SHOWS THE LOCATIONS OF THE LANCE PLATES FOR FIBER MANAGEMENT)

UNLESS OTHERWISE SPECIFIED DIMENSIONS ARE IN INCHES TOLERANCES ARE: FRACTIONS: $\pm 1/32$ DECIMALS: $.XX = \pm .03$ ANGLES: $\pm 1^\circ$.XXX = $\pm .010$ ALL FLATS TO BE $\pm .005$		THIS DOCUMENT AND THE INFORMATION CONTAINED THEREIN ARE CONFIDENTIAL & PROPRIETARY TO MULTILINK AND MAY NOT BE COPIED OR DISCLOSED TO OTHERS WITHOUT A WRITTEN CONSENT FROM MULTILINK. THE INFORMATION IS TO BE PROMPTLY RETURNED TO MULTILINK UPON REQUEST.	Multilink
NO SHARP EDGES OR BURRS ALLOWED			
MATERIAL: SEE B.O.M. FINISH: ALMOND BEIGE DO NOT SCALE DRAWING	DRAWN BY: SJK CHECKED: SJK MFG ENG: SJK QUALITY ENG: SJK	DATE: 07/16/13	5RU ENCL BE W/VERT SWING OUT RACK DC INPUT W/MTG BRKT SIZE B DWG. NO. 030-264-10REF REV. 01 SCALE: 1:8 CAD FILE: 030-264-10REF SHEET: 3 OF 4

REV.	ECN #	DESCRIPTION OF CHANGE	DATE	BY	MFG ENG
01	N/A	INITIAL RELEASE	07/16/13	SJK	



UNLESS OTHERWISE SPECIFIED
DIMENSIONS ARE IN INCHES
TOLERANCES ARE:
FRACTIONS: $\pm 1/32$
DECIMALS: .XX = $\pm .03$
.XXX = $\pm .010$
ANGLES: $\pm 1^\circ$
ALL FLATS TO BE $\pm .005$
NO SHARP EDGES OR BURRS ALLOWED
MATERIAL: SEE B.O.M.
FINISH: ALMOND BEIGE
DO NOT SCALE DRAWING

THIS DOCUMENT AND THE INFORMATION
CONTAINED THEREIN ARE CONFIDENTIAL
& PROPRIETARY TO MULTILINK AND MAY
NOT BE COPIED OR DISCLOSED TO OTHERS
WITHOUT A WRITTEN CONSENT FROM
MULTILINK. THE INFORMATION IS TO BE
PROMPTLY RETURNED TO MULTILINK UPON
REQUEST.
DRAWN BY: SJK
DATE: 07/16/13
CHECKED: DATE:
MFG ENG: DATE:
QUALITY ENG: DATE:

Multilink

5RU ENCL BE W/VERT
SWING OUT RACK DC INPUT
W/MTG BRKT

SIZE B	DWG. NO. 030-264-10REF	REV. 01
SCALE: 1:10	CAD FILE: 030-264-10REF	SHEET: 4 OF 4