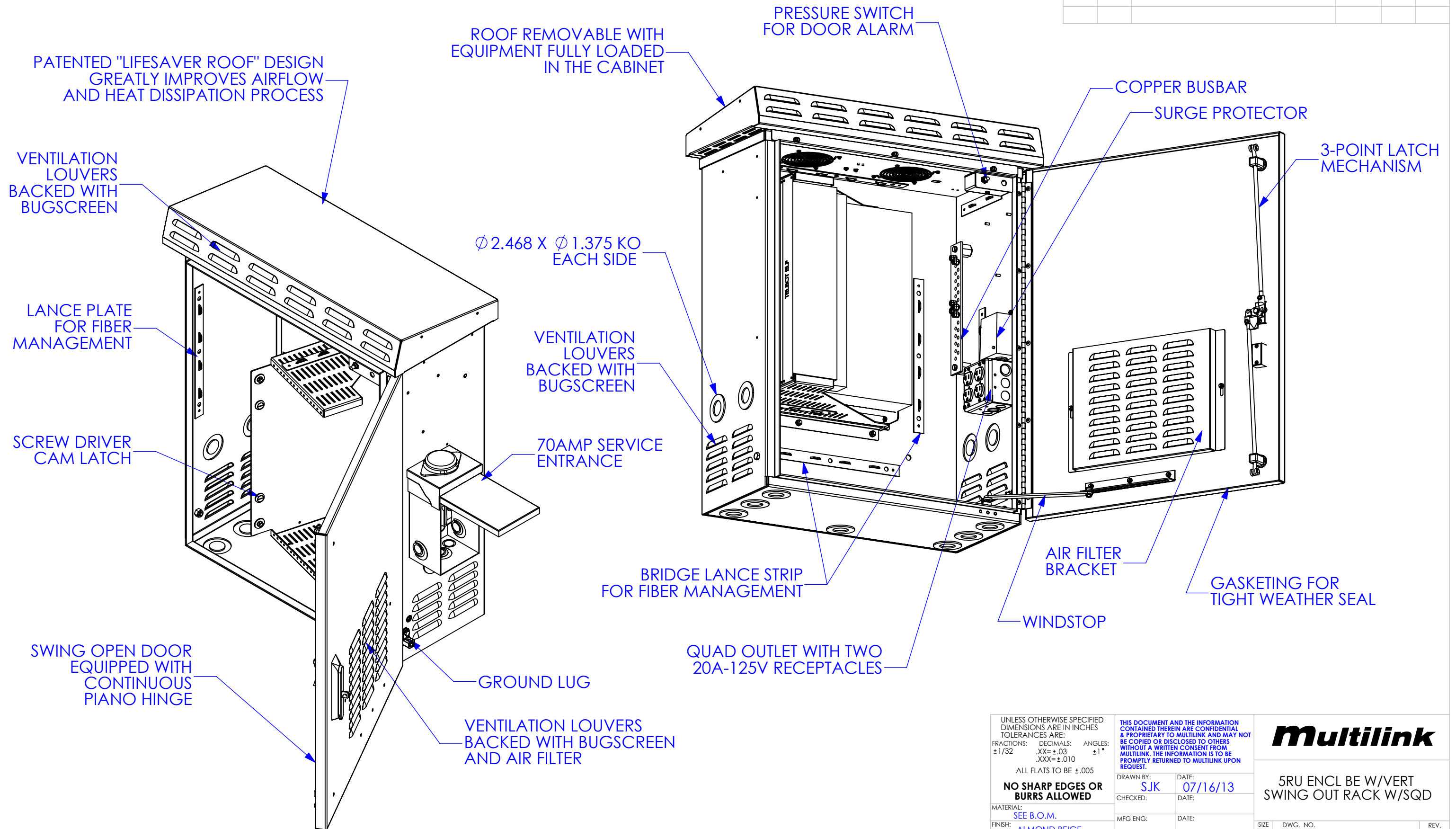


REV.	ECN #	DESCRIPTION OF CHANGE	DATE	BY	MFG ENG
01	N/A	INITIAL RELEASE	07/16/13	SJK	



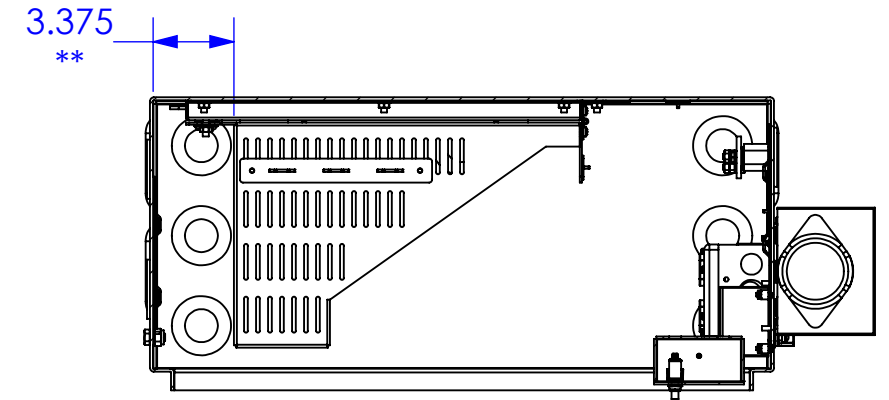
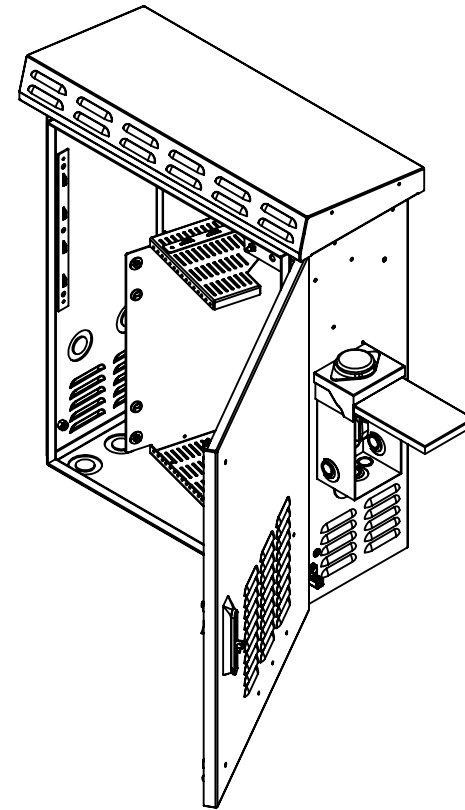
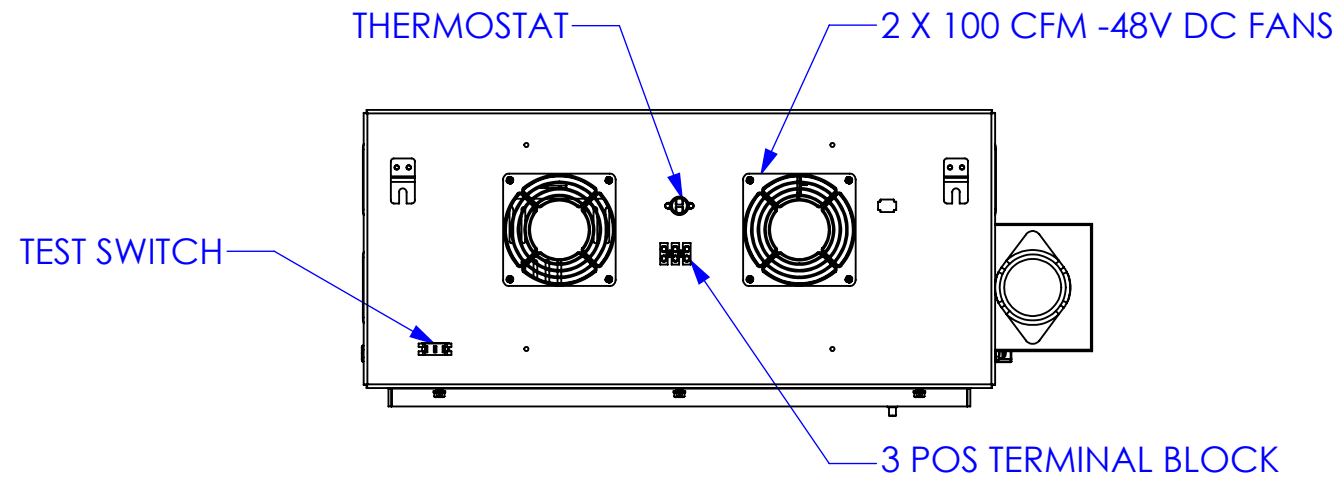
UNLESS OTHERWISE SPECIFIED  
DIMENSIONS ARE IN INCHES  
TOLERANCES ARE:  
FRACTIONS: DECIMALS: ANGLES:  
± 1/32 .XX ± .03 ± 1°  
.XXX ± .010  
ALL FLATS TO BE ± .005  
**NO SHARP EDGES OR  
BURRS ALLOWED**  
MATERIAL:  
FINISH:  
DO NOT SCALE DRAWING

THIS DOCUMENT AND THE INFORMATION  
CONTAINED THEREIN ARE CONFIDENTIAL  
& PROPRIETARY TO MULTILINK AND MAY NOT  
BE COPIED OR DISCLOSED TO OTHERS  
WITHOUT A WRITTEN CONSENT FROM  
MULTILINK. THE INFORMATION IS TO BE  
PROMPTLY RETURNED TO MULTILINK UPON  
REQUEST.  
DRAWN BY: SJK DATE: 07/16/13  
CHECKED: DATE:  
MFG ENG: DATE:  
QUALITY ENG: DATE:



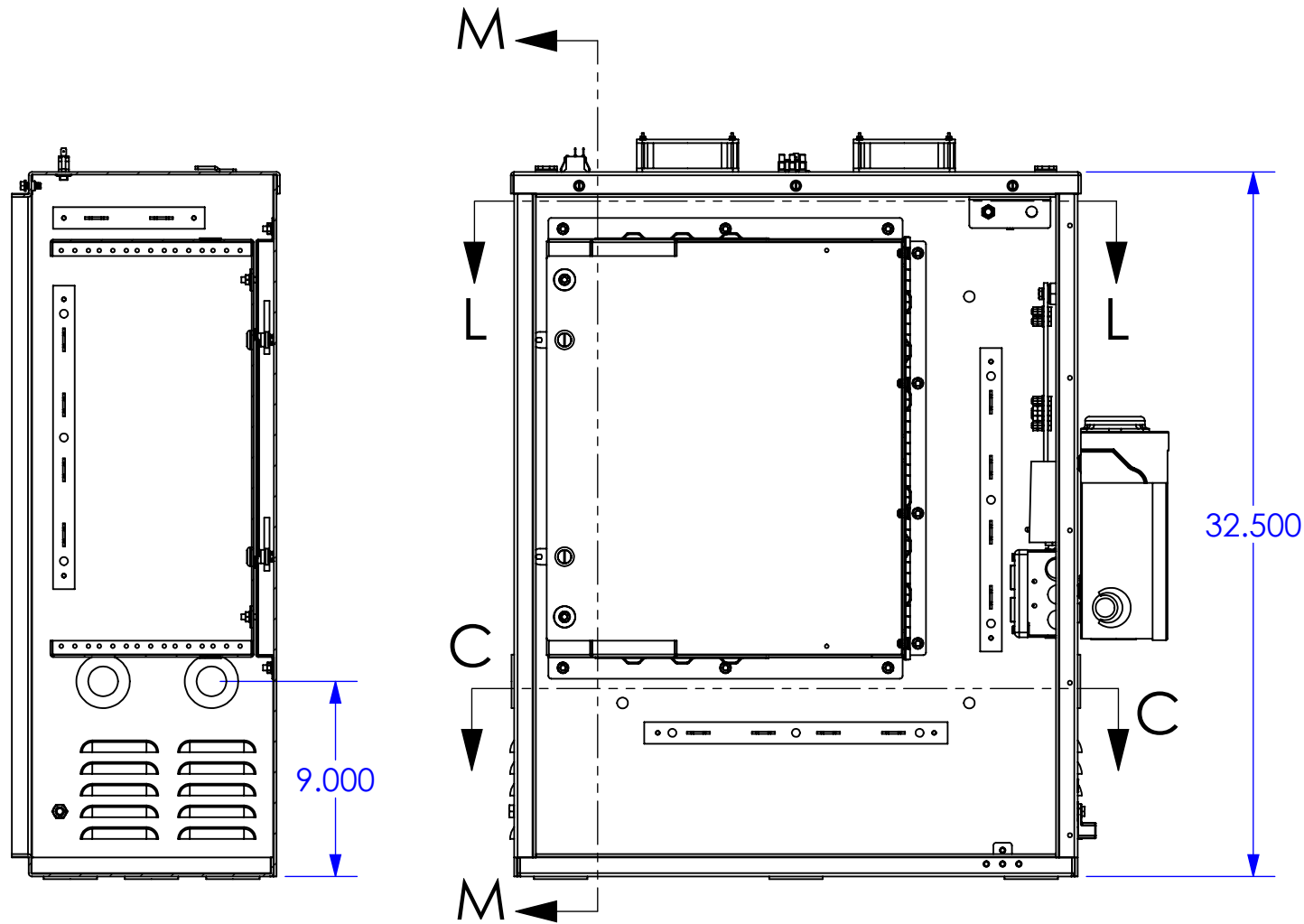
5RU ENCL BE W/VERT  
SWING OUT RACK W/SQD

REV.	ECN #	DESCRIPTION OF CHANGE	DATE	BY	MFG ENG
01	N/A	INITIAL RELEASE	07/16/13	SJK	



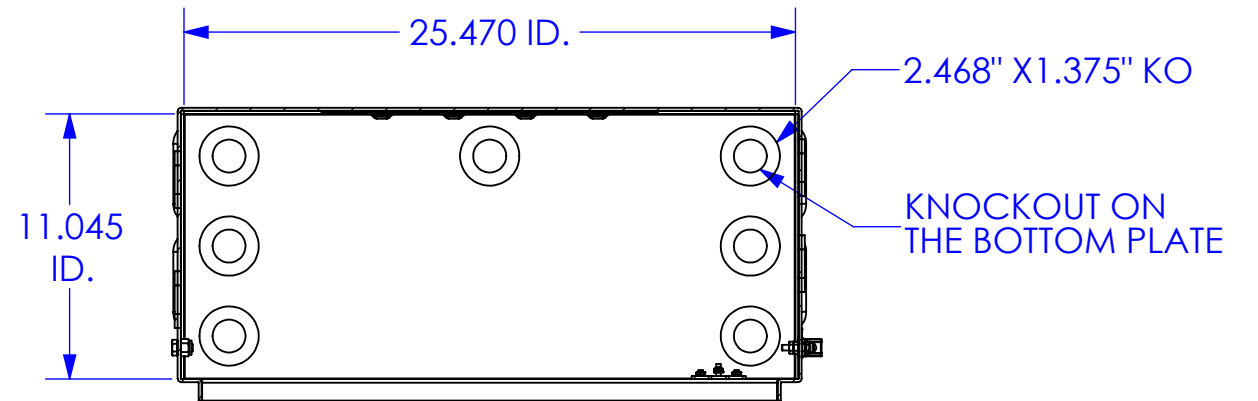
SECTION L-L  
SCALE 1 : 8

\*\* THE DISTANCE BETWEEN THE INSIDE OF THE ENCLOSURE (LEFT SIDE) AND THE 5RU RACK (WHERE THE EQUIPMENT MOUNTS)



SECTION M-M  
SCALE 1 : 8

(ROOF AND DOOR HIDDEN)



SECTION C-C  
SCALE 1 : 8

UNLESS OTHERWISE SPECIFIED  
DIMENSIONS ARE IN INCHES  
TOLERANCES ARE:  
FRACTIONS: DECIMALS: ANGLES:  
± 1/32 .XX ± .03 ± 1°  
.XXX ± .010  
ALL FLATS TO BE ± .005  
**NO SHARP EDGES OR  
BURRS ALLOWED**  
MATERIAL:  
SEE B.O.M.  
FINISH:  
ALMOND BEIGE  
DO NOT SCALE DRAWING

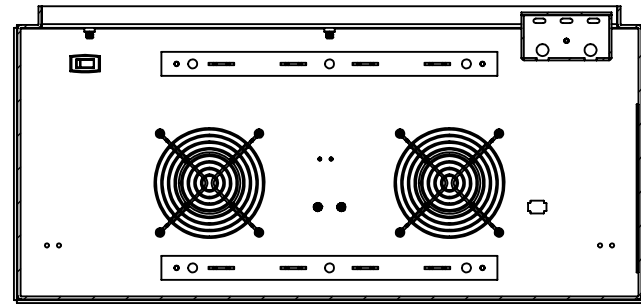
THIS DOCUMENT AND THE INFORMATION  
CONTAINED THEREIN ARE CONFIDENTIAL  
& PROPRIETARY TO MULTILINK AND MAY NOT  
BE COPIED OR DISCLOSED TO OTHERS  
WITHOUT A WRITTEN CONSENT FROM  
MULTILINK. THE INFORMATION IS TO BE  
PROMPTLY RETURNED TO MULTILINK UPON  
REQUEST.  
DRAWN BY: SJK DATE: 07/16/13  
CHECKED: DATE:  
MFG ENG: DATE:  
QUALITY ENG: DATE:

**Multilink**

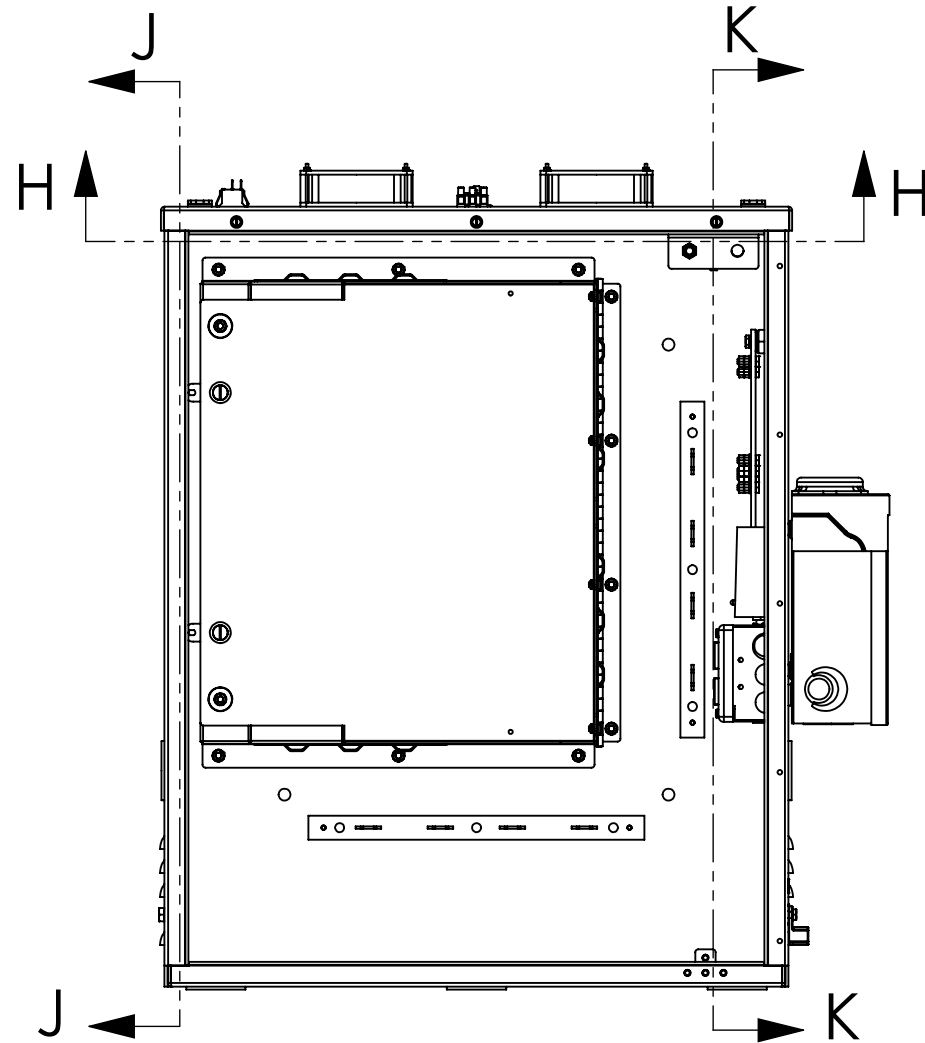
5RU ENCL BE W/VERT  
SWING OUT RACK W/SQD

SIZE <b>B</b>	DWG. NO. 030-264-20REF	REV. <b>01</b>
SCALE: 1:12	CAD FILE: 030-264-20REF	SHEET: 2 OF 5

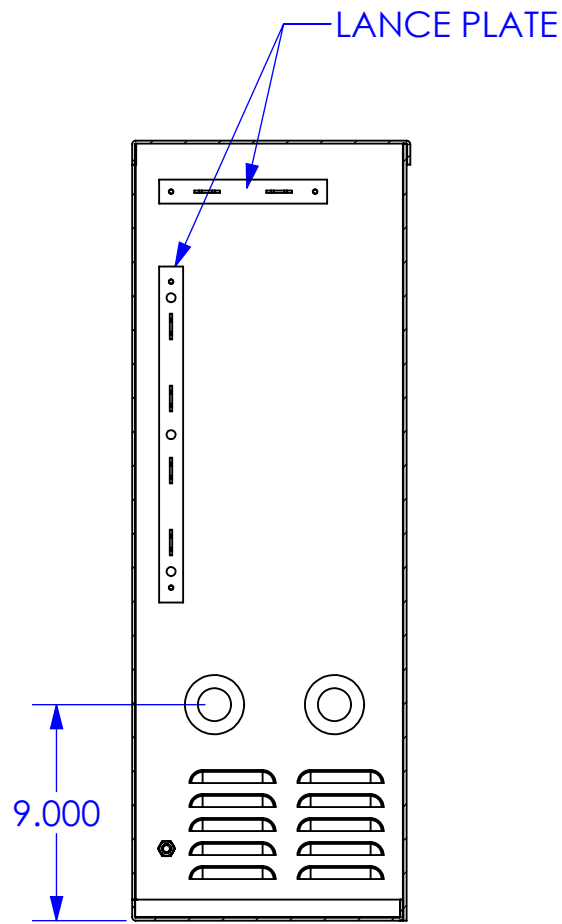
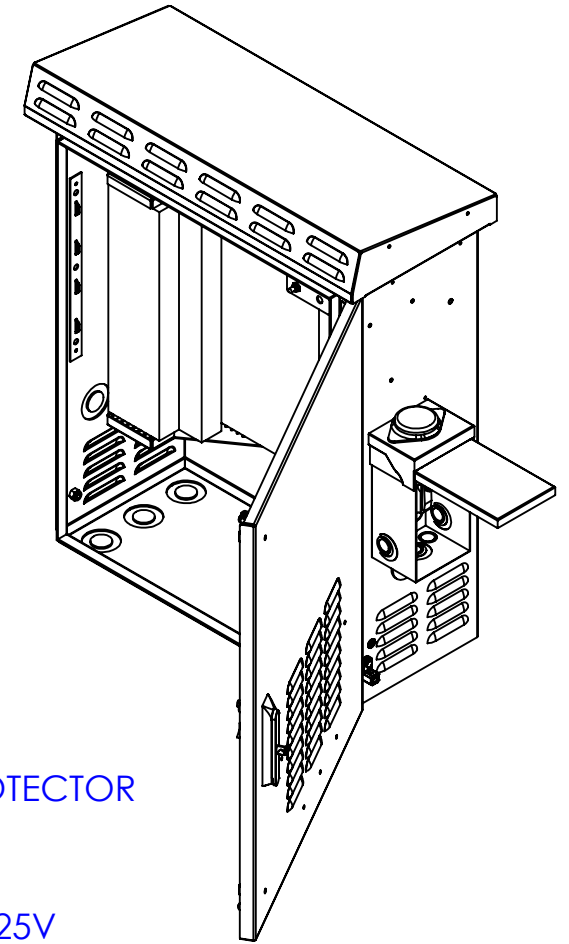
REV.	ECN #	DESCRIPTION OF CHANGE	DATE	BY	MFG ENG
01	N/A	INITIAL RELEASE	07/16/13	SJK	



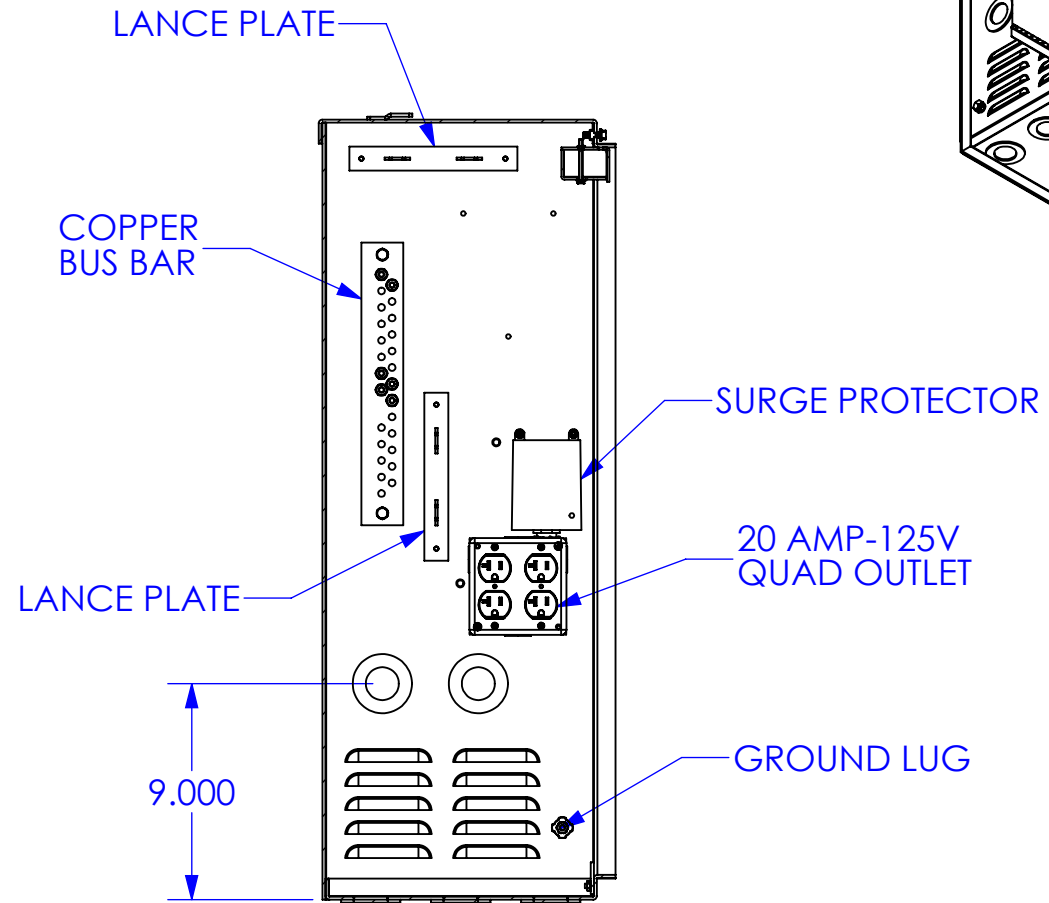
SECTION H-H



(ROOF AND DOOR HIDDEN)



SECTION J-J



SECTION K-K

(THIS SHEET SHOWS THE LOCATIONS OF THE LANCE PLATES FOR FIBER MANAGEMENT)

UNLESS OTHERWISE SPECIFIED  
DIMENSIONS ARE IN INCHES  
TOLERANCES ARE:  
FRACTIONS: DECIMALS: ANGLES:  
±1/32 .XX±.03 ±1°  
.XXX±.010  
ALL FLATS TO BE ±.005  
**NO SHARP EDGES OR  
BURRS ALLOWED**  
MATERIAL:  
FINISH:  
DO NOT SCALE DRAWING

THIS DOCUMENT AND THE INFORMATION  
CONTAINED THEREIN ARE CONFIDENTIAL  
& PROPRIETARY TO MULTILINK AND MAY NOT  
BE COPIED OR DISCLOSED TO OTHERS  
WITHOUT A WRITTEN CONSENT FROM  
MULTILINK. THE INFORMATION IS TO BE  
PROMPTLY RETURNED TO MULTILINK UPON  
REQUEST.  
DRAWN BY: SJK DATE: 07/16/13  
CHECKED: DATE:  
MFG ENG: DATE:  
QUALITY ENG: DATE:

**Multilink**

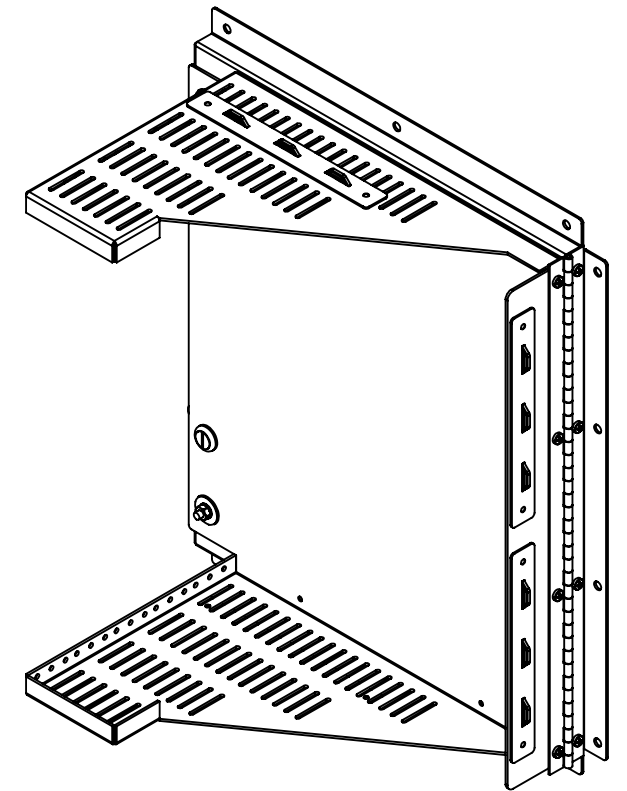
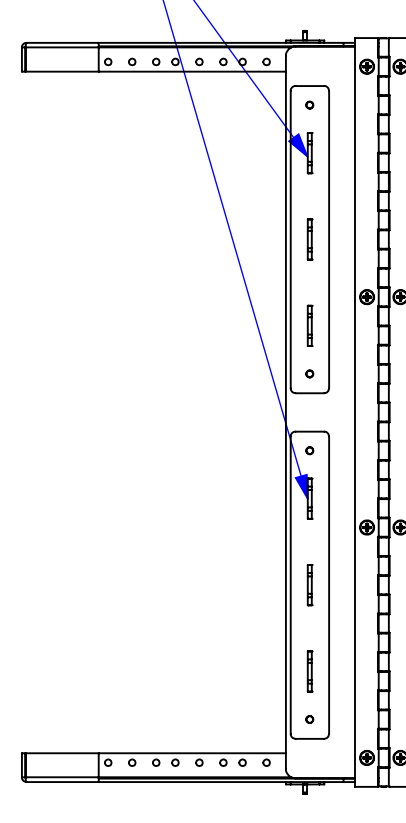
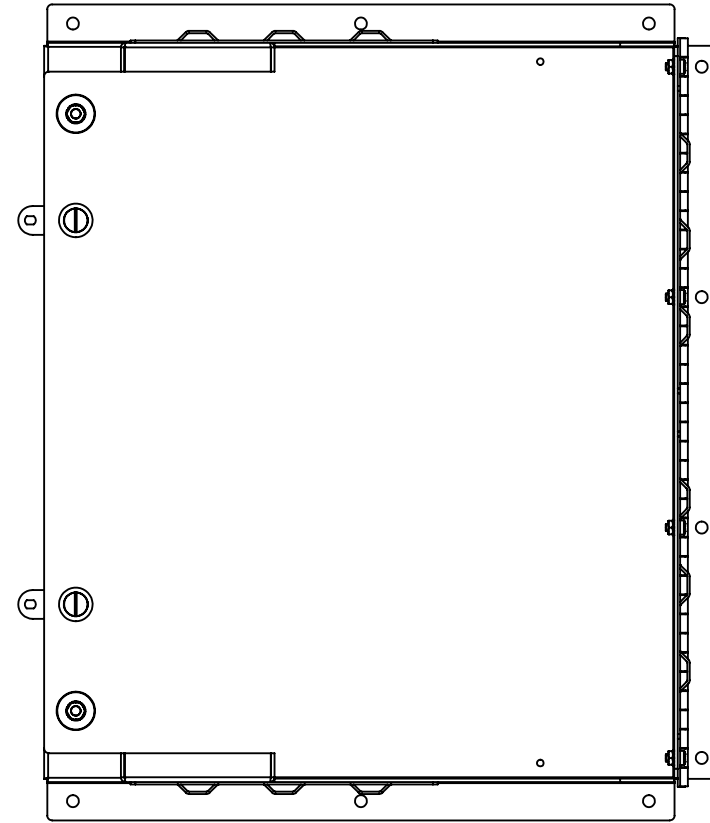
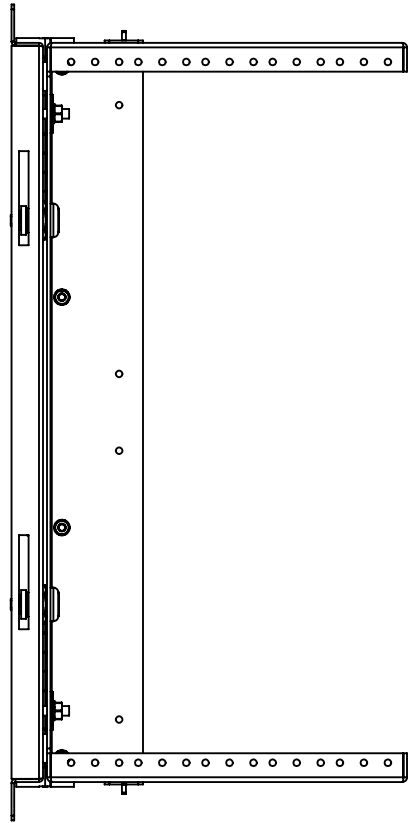
5RU ENCL BE W/VERT  
SWING OUT RACK W/SQD

SIZE DWG. NO. REV.  
**B** 030-264-20REF 01  
SCALE: 1:8 CAD FILE: 030-264-20REF SHEET: 3 OF 5

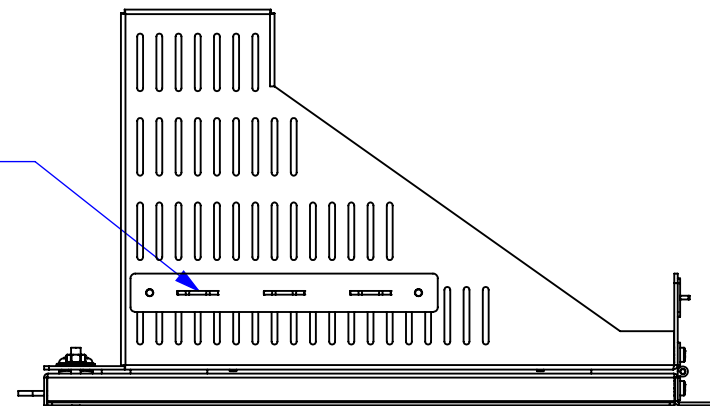
REV.	ECN #	DESCRIPTION OF CHANGE	DATE	BY	MFG ENG
01	N/A	INITIAL RELEASE	07/16/13	SJK	

**SWING OUT RACK**

LANCE PLATES



LANCE PLATES  
(TYPICAL  
BOTH SIDES)



(THIS SHEET SHOWS THE LANCE PLATES LOCATIONS ON THE SWING OUT RACK)

UNLESS OTHERWISE SPECIFIED DIMENSIONS ARE IN INCHES TOLERANCES ARE: FRACTIONS: DECIMALS: ANGLES: ± 1/32 .XX = ± .03 ± 1° .XXX = ± .010 ALL FLATS TO BE ± .005 <b>NO SHARP EDGES OR                  BURRS ALLOWED</b>		THIS DOCUMENT AND THE INFORMATION CONTAINED THEREIN ARE CONFIDENTIAL & PROPRIETARY TO MULTILINK AND MAY NOT BE COPIED OR DISCLOSED TO OTHERS WITHOUT A WRITTEN CONSENT FROM MULTILINK. THE INFORMATION IS TO BE PROMPTLY RETURNED TO MULTILINK UPON REQUEST.			
MATERIAL: SEE B.O.M.		DRAWN BY: SJK		DATE: 07/16/13	
FINISH: ALMOND BEIGE		CHECKED:		DATE:	
DO NOT SCALE DRAWING		MFG ENG:		DATE:	
QUALITY ENG:		DATE:		SCALE: 1:5	
DWG. NO. 030-264-20REF				REV. 01	
CAD FILE: 030-264-20REF				SHEET: 4 OF 5	

