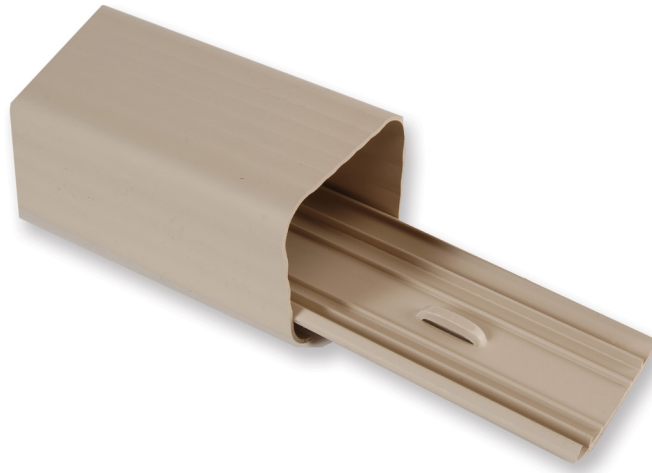
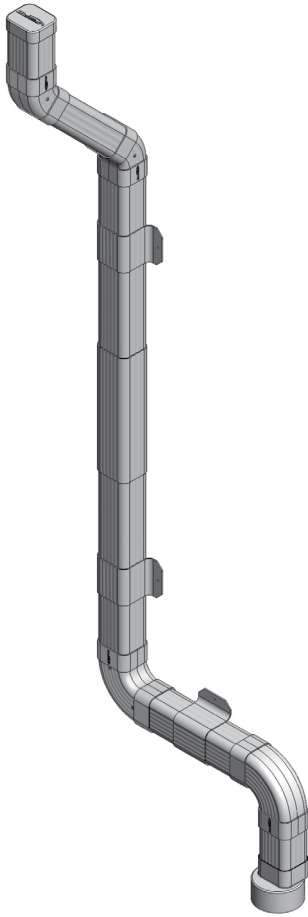


## Downspout Raceway System

### Exterior



## Product Description

Multilinks Downspout Exterior Raceway System is a 2 piece design with a base and cover. The molding can be used to route and protect cabling for low voltage data, voice, video, and fiber optic applications. Fittings are available for routing direction changes, extensions, and termination of the molding. The 45° and 90° fittings are two piece designs. All fittings incorporate a 1" minimum bend radius as recommended for fiber optic cables. The molding is manufactured using a special purpose profile extrusion alloy resin and the fittings are manufactured using an injection grade resin. The product is easily painted with latex paint.

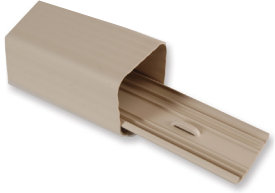
## General Specifications

<b>Material:</b>	<b>Raceway:</b> Special Purpose Profile Extrusion Alloy Rigid PolyVinyl Chloride <b>Fittings:</b> Impact Modified Flame Retardant Polybutylene Terephthalate
<b>Color:</b>	White, Brown, Beige
<b>Operating Temp. Range:</b>	-18°C to 58°C (0°F to 136°F)
<b>Installation Temp. Range:</b>	-18°C to 45°C (0°F to 113°F)
<b>Impact Resistance:</b>	2.5ft. lbs. referencing TR1334 section 5.4
<b>Chemical Resistance:</b>	Retains a minimum of 50% of tensile strength after 30 day exposure to 3% H2SO4, .2N NaOH, NH3, 90% Alcohol, Kerosene, 10% Igepal.
<b>Fungus Resistance:</b>	ASTM G21 Zero Rating Per GR 3126 Requirement
<b>Crush Resistance:</b>	300 lbs. per GR3126 Requirement
<b>UOM:</b>	<b>Raceway:</b> Feet <b>Fittings:</b> 10 Pack
<b>Warranty:</b>	1 Year Defects In Workmanship
<b>Safety Standard</b>	UL 2024:2014 Ed. 5 and CSA C22.2 #262:2004 Ed. 1 Optical Fiber Cable and Communication Cable Raceway Systems (Select Colors)

## Ordering

Downspout Raceway System	
Multilink Part Number	Description
DCB	Downspout Cover and Base, 8ft., 2 Piece System
DWS	Downspout Wall Strap
DSSC	Downspout Seam Cover
DSF-45	Downspout 45° Fitting
DSF-90	Downspout 90° Fitting
DSEC	Downspout End Cap Fitting
DSA-4R	Downspout To 4" Round Adapter
DSA-3R	Downspout To 3" Round Adapter

**Fittings**



DCB



DWS



DSSC



DSF-90



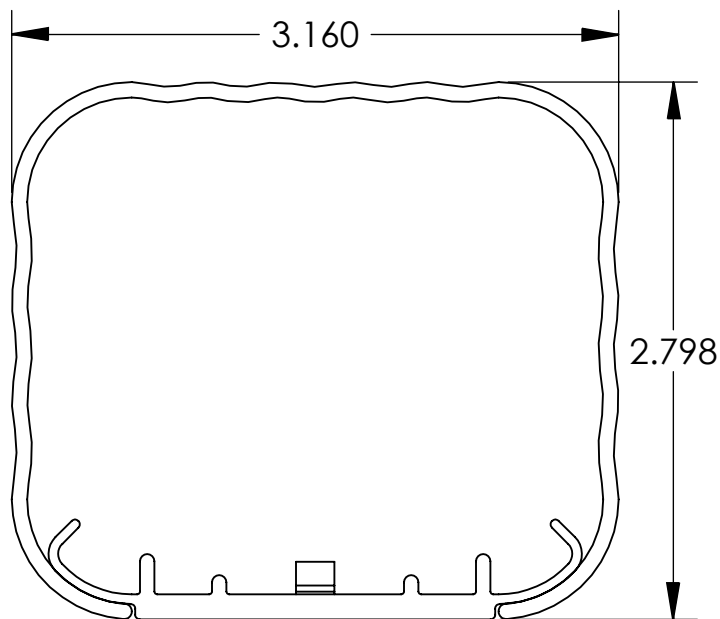
DSF-45



DSEC



DSA-3R, DSA-4R





Scan  
QR for  
website.

Multilink, Inc  
580 Ternes Ln  
Elyria, OH 44035  
Tel: (440) 366-6966  
Fax: (440) 366-6802



[facebook.com/GoMultilink1](https://facebook.com/GoMultilink1)



[twitter.com/GoMultilink](https://twitter.com/GoMultilink)



[youtube.com/GoMultilink](https://youtube.com/GoMultilink)

North America	Europe, Middle East & Africa	Latin & South America
Tel: +1 440 366 6966 Fax: +1 440 366 6802 Email: <a href="mailto:engsupport@gomultilink.com">engsupport@gomultilink.com</a>	Tel: +1 440 366 6966 Fax: +1 440 366 6802 Email: <a href="mailto:engsupport@gomultilink.com">engsupport@gomultilink.com</a>	Tel: +1 440 366 6966 Mobile: +1 440 366 6802 Email: <a href="mailto:lasupport@gomultilink.com">lasupport@gomultilink.com</a>

Contact Us