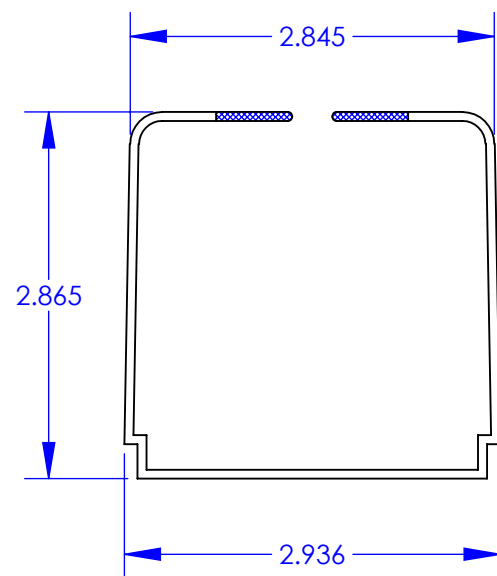
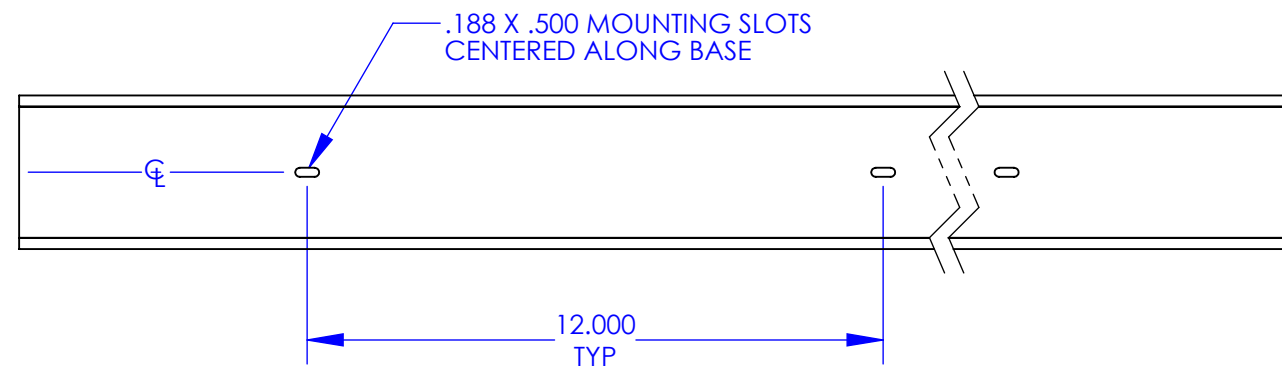
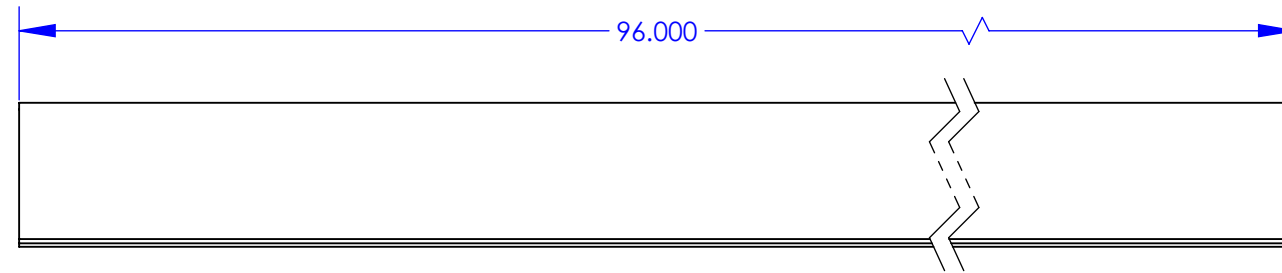
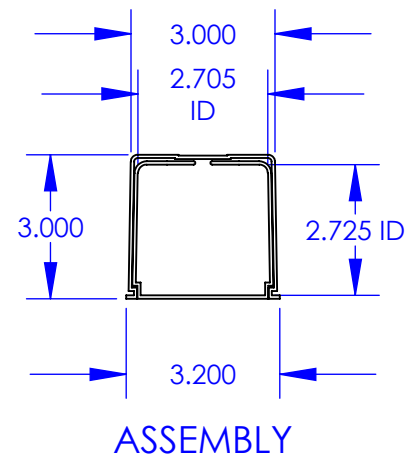
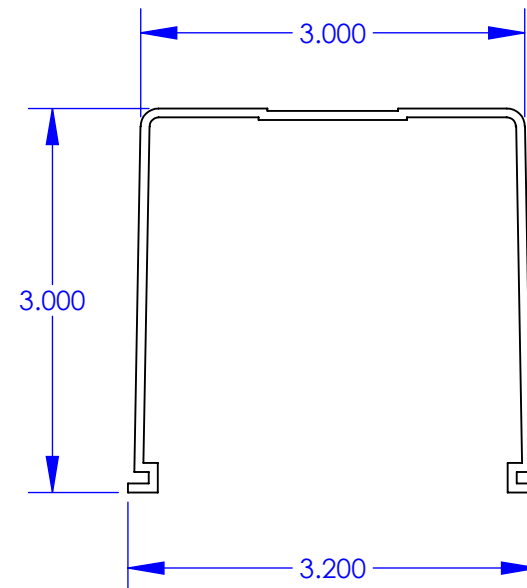


**MRC30REF**

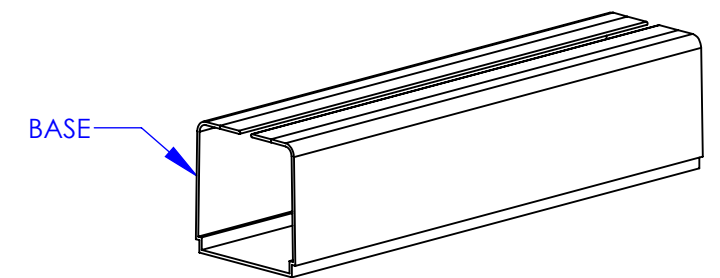
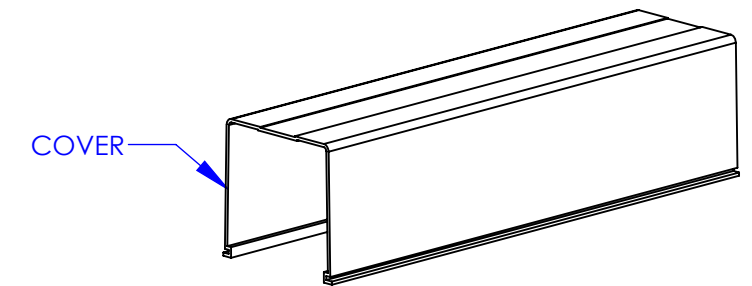
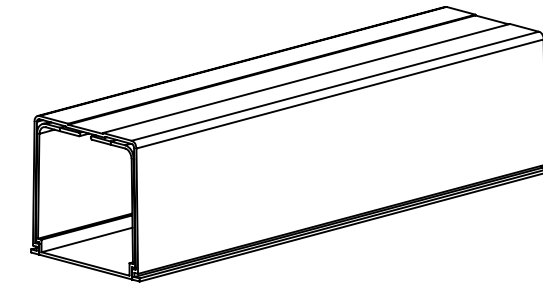
REV.	ECN #	DESCRIPTION OF CHANGE	DATE	BY	MFG ENG
01	N/A	INITIAL RELEASE	09/21/17	SAB	



BASE



COVER



STOCK CODE	DESCRIPTION	LENGTH	ADHESIVE BACK	COVER COLOR
039-676-10	MRC30-E-IV	8 FT	NO	EXTERIOR IVORY

UNLESS OTHERWISE SPECIFIED DIMENSIONS ARE IN INCHES  
 TOLERANCES ARE:  
 FRACTIONS: ±1/32  
 DECIMALS: .XX=±.03  
 ANGLES: ±1°  
 .XXX=±.010  
 ALL FLATS TO BE ±.005  
**NO SHARP EDGES OR BURRS ALLOWED**  
 MATERIAL: SEE NOTES  
 FINISH: SEE TABLE  
 DO NOT SCALE DRAWING

THIS DOCUMENT AND THE INFORMATION CONTAINED THEREIN ARE CONFIDENTIAL & PROPRIETARY TO MULTILINK AND MAY NOT BE COPIED OR DISCLOSED TO OTHERS WITHOUT A WRITTEN CONSENT FROM MULTILINK. THE INFORMATION IS TO BE PROMPTLY RETURNED TO MULTILINK UPON REQUEST.  
 DRAWN BY: SAB  
 DATE: 09/21/2017  
 CHECKED: DATE:  
 MFG ENG: DATE:  
 QUALITY ENG: DATE:

**Multilink**

MRC30  
 3" MULTICLEAR  
 SURFACE RCWY

SIZE **B** DWG. NO. MRC30REF REV. **01**  
 SCALE: 2:3 CAD FILE: MRC30REF SHEET: 1 OF 1