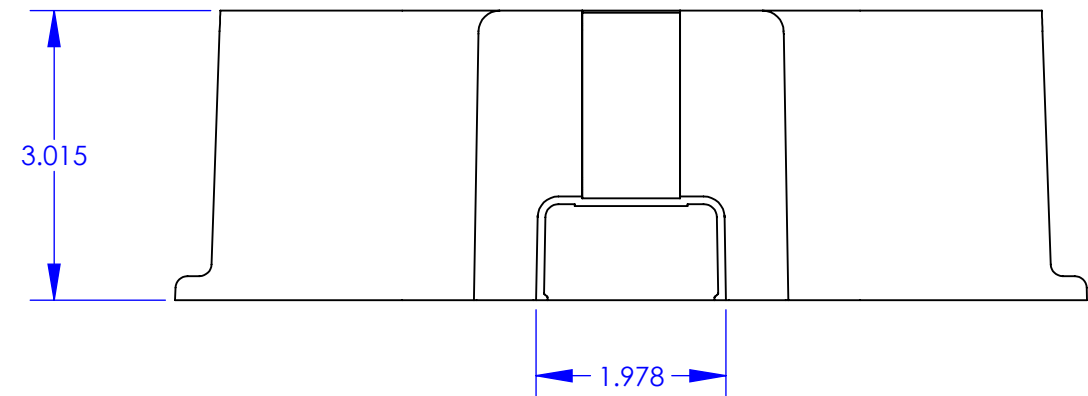
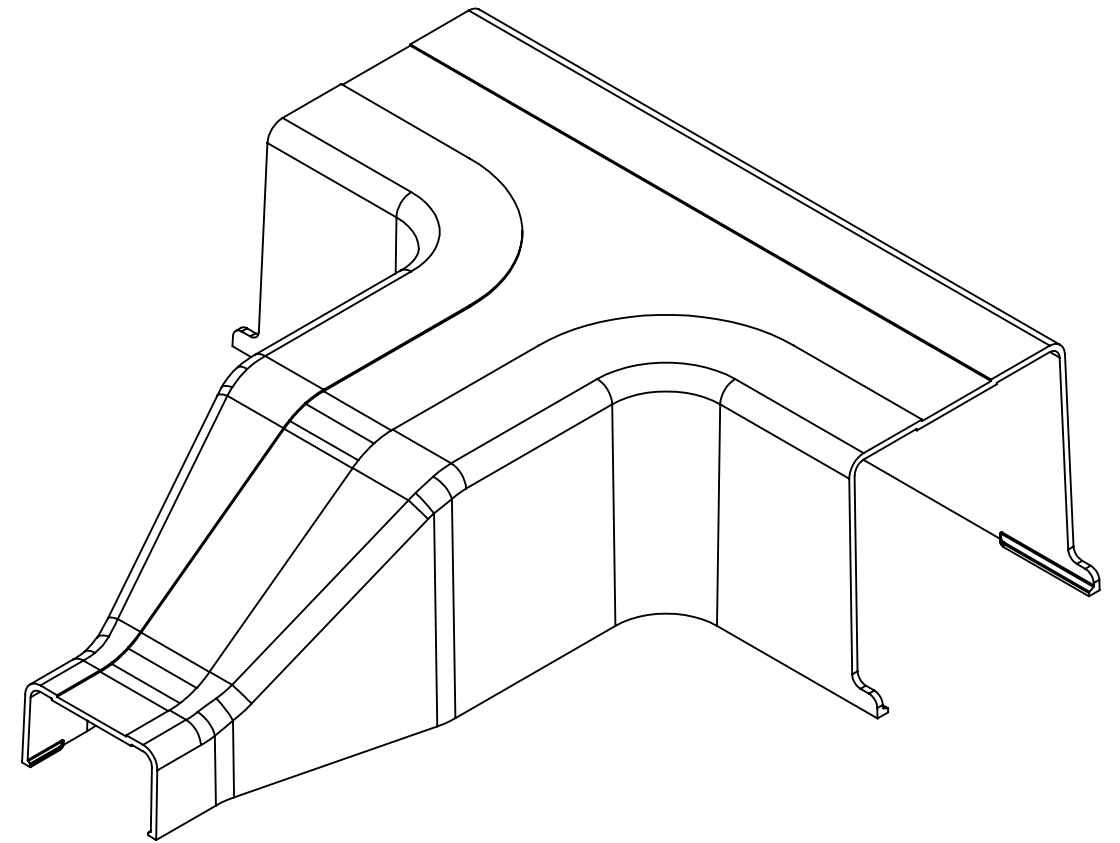
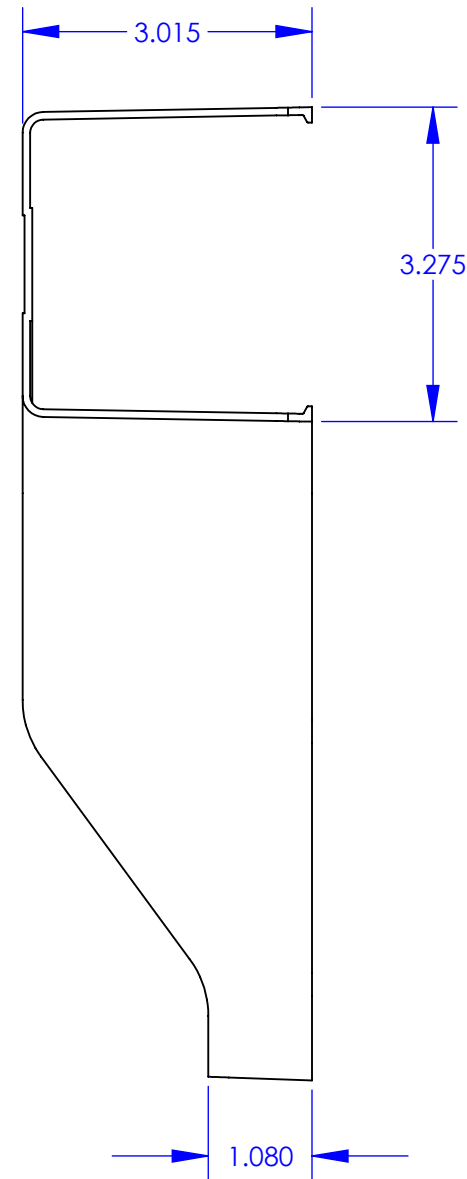
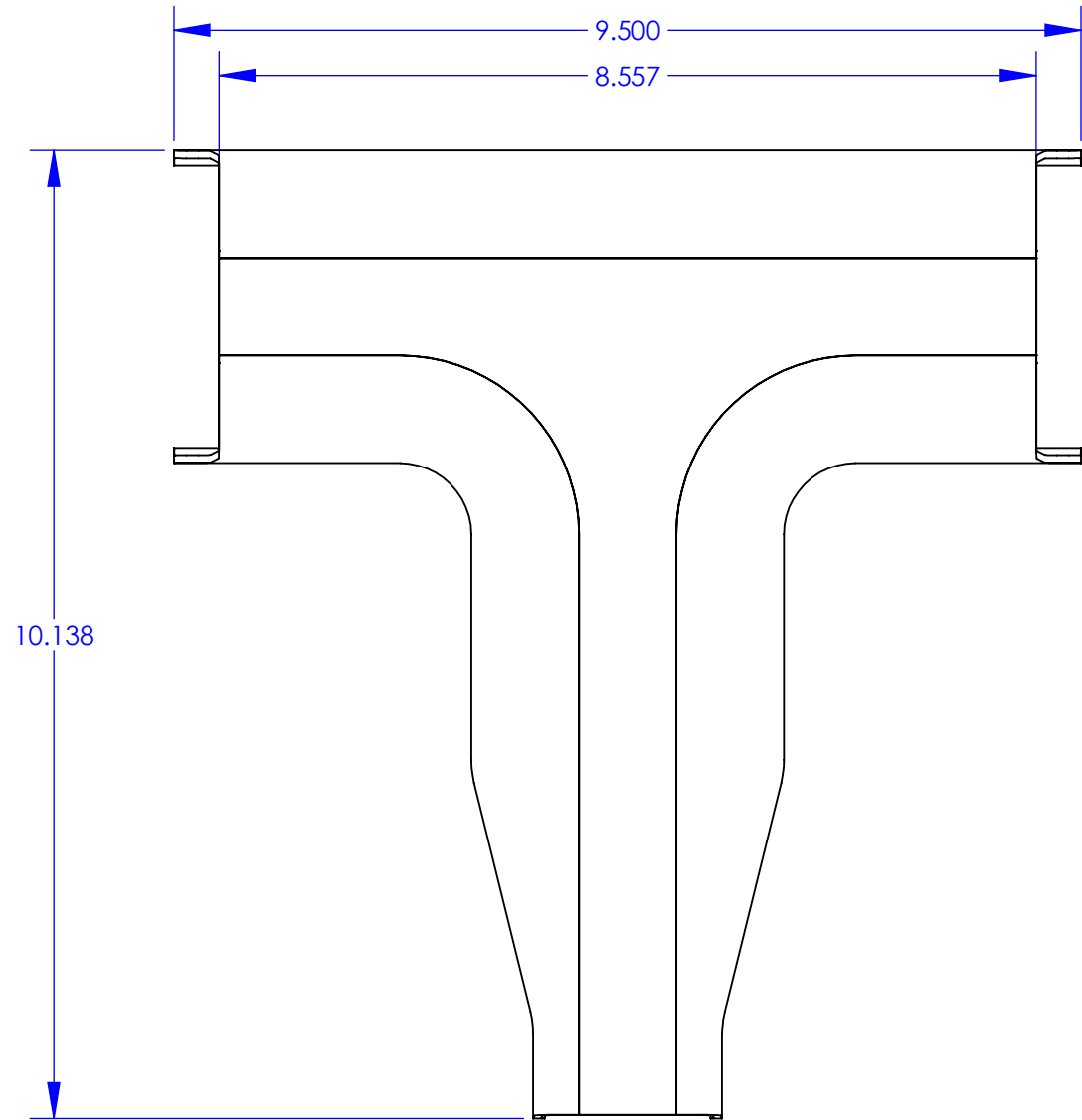


REV.	ECN #	DESCRIPTION OF CHANGE	DATE	BY	MFG ENG
01	N/A	INITIAL RELEASE	09/25/17	SAB	



STOCK CODE	DESCRIPTION	COLOR
039-677-10	MRF30-TR17-E-IV	EXTERIOR IVORY

UNLESS OTHERWISE SPECIFIED  
DIMENSIONS ARE IN INCHES  
TOLERANCES ARE:  
FRACTIONS: ±1/32  
DECIMALS: .XX=±.03  
.XXX=±.010  
ANGLES: ±1°  
ALL FLATS TO BE ±.005  
**NO SHARP EDGES OR  
BURRS ALLOWED**  
MATERIAL: SEE TABLE  
FINISH: SEE TABLE  
DO NOT SCALE DRAWING

THIS DOCUMENT AND THE INFORMATION  
CONTAINED THEREIN ARE CONFIDENTIAL  
& PROPRIETARY TO MULTILINK AND MAY NOT  
BE COPIED OR DISCLOSED TO OTHERS  
WITHOUT A WRITTEN CONSENT FROM  
MULTILINK. THE INFORMATION IS TO BE  
PROMPTLY RETURNED TO MULTILINK UPON  
REQUEST.  
DRAWN BY: SAB  
DATE: 09/25/2017  
CHECKED: DATE:  
MFG ENG: DATE:  
QUALITY ENG: DATE:

**Multilink**

MRF30-TR17  
3 - 1.75 T-REDUCER  
PLASTIC SQ MLDG

SIZE **B** DWG. NO. MRF30-TR17 REF 01 REV. 01  
SCALE: 1:2 CAD FILE: MRF30-TR17 REF SHEET 1 OF 1