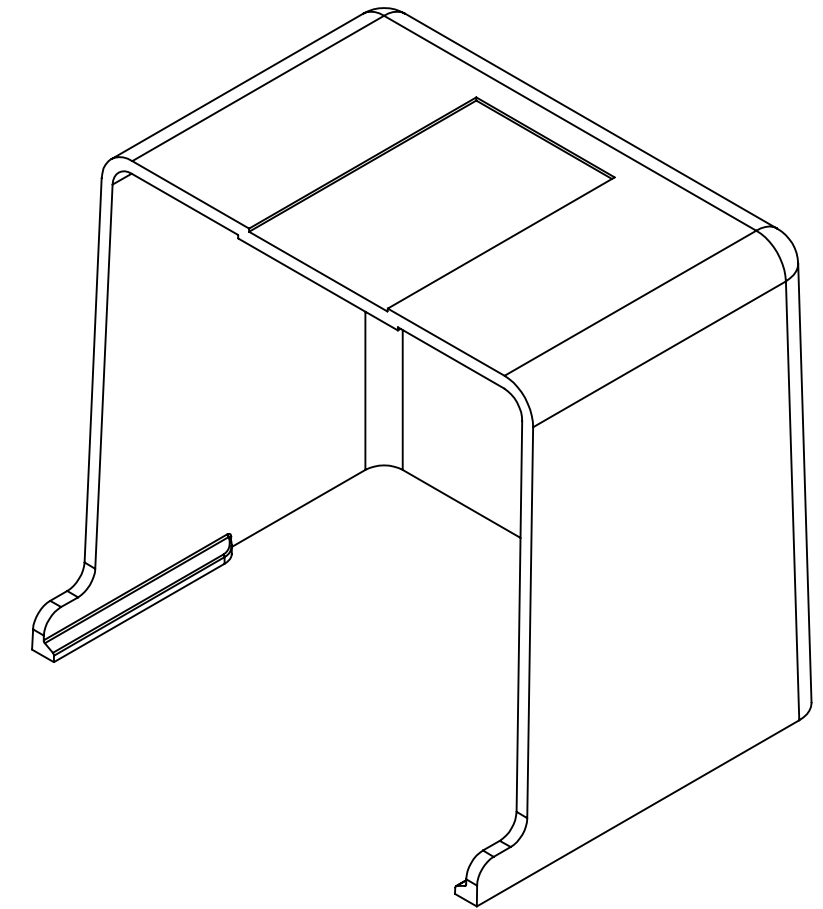
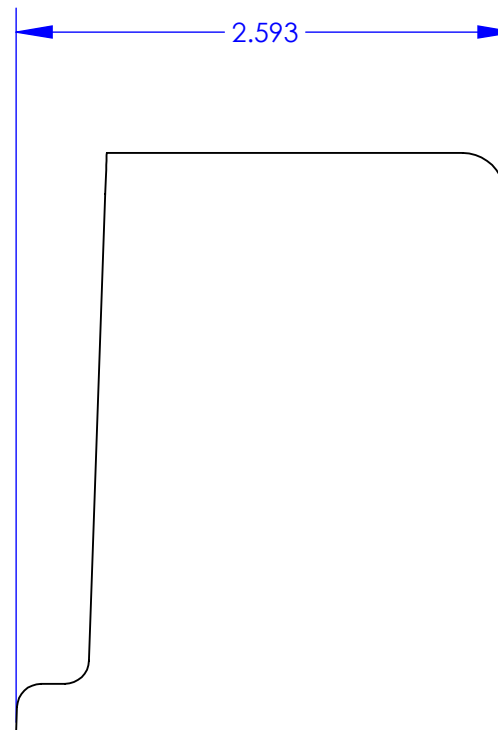
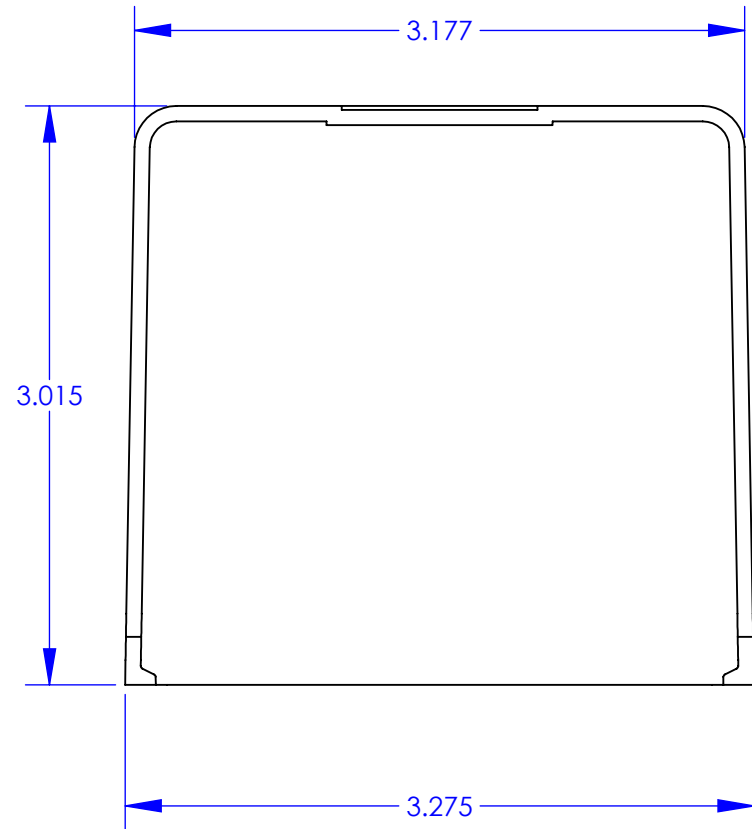
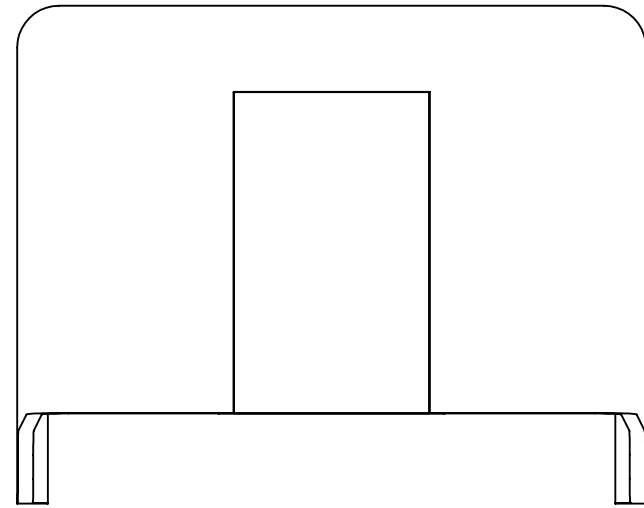


MRF30-EC REF

REV.	ECN #	DESCRIPTION OF CHANGE	DATE	BY	MFG ENG
01	N/A	INITIAL RELEASE	09/21/17	SAB	



STOCK CODE	DESCRIPTION	COLOR
039-678-10	MRF30-EC-E-IV	EXTERIOR IVORY

UNLESS OTHERWISE SPECIFIED
DIMENSIONS ARE IN INCHES
TOLERANCES ARE:
FRACTIONS: ±1/32
DECIMALS: .XX=±.03
 .XXX=±.010
ANGLES: ±1°
ALL FLATS TO BE ±.005
**NO SHARP EDGES OR
BURRS ALLOWED**
MATERIAL: SEE TABLE
FINISH: SEE TABLE
DO NOT SCALE DRAWING

THIS DOCUMENT AND THE INFORMATION
CONTAINED THEREIN ARE CONFIDENTIAL
& PROPRIETARY TO MULTILINK AND MAY
NOT BE COPIED OR DISCLOSED TO OTHERS
WITHOUT A WRITTEN CONSENT FROM
MULTILINK. THE INFORMATION IS TO BE
PROMPTLY RETURNED TO MULTILINK UPON
REQUEST.
DRAWN BY: SAB
DATE: 09/21/2017
CHECKED: DATE:
MFG ENG: DATE:
QUALITY ENG: DATE:

Multilink

MRF30-EC
3" END CAP
PLASTIC SQ MLDG

SIZE **B** DWG. NO. MRF30-EC REF REV. **01**

SCALE: 1:1 CAD FILE: MRF30-EC REF SHEET: 1 OF 1