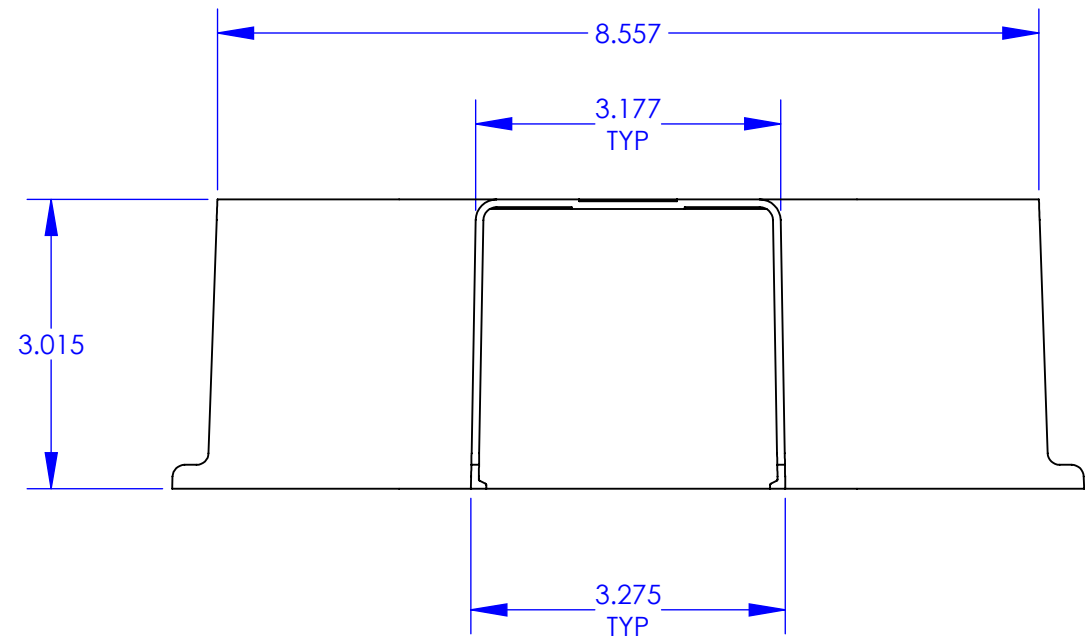
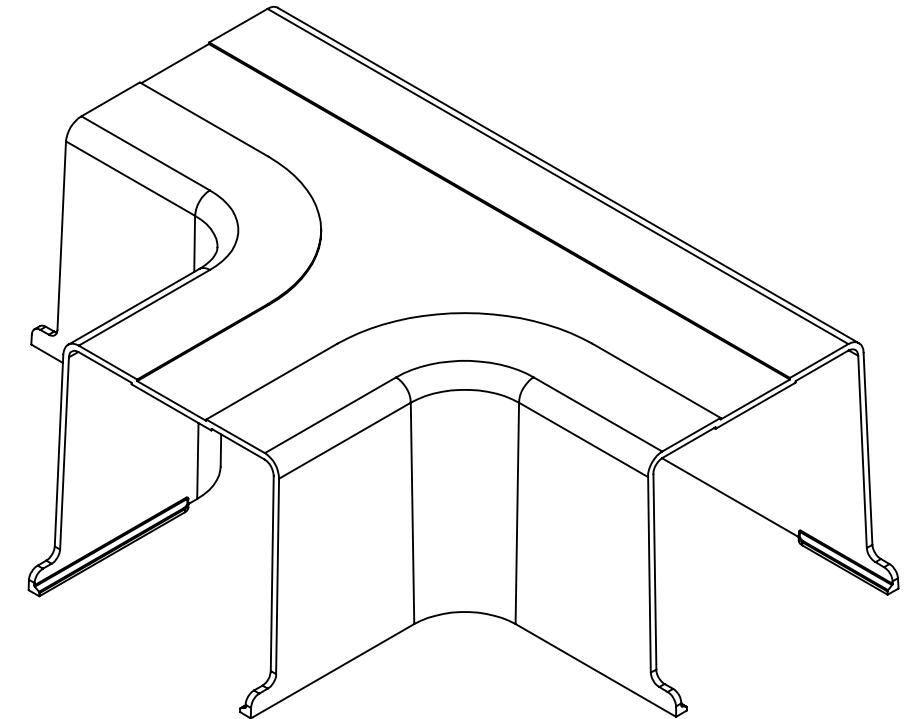
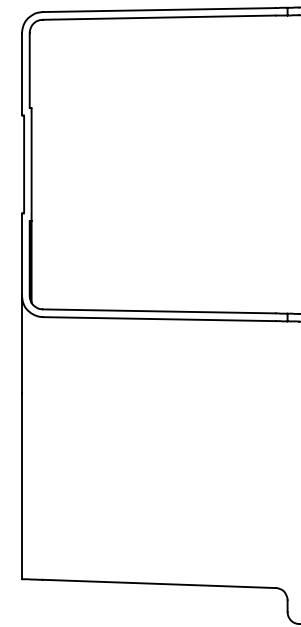
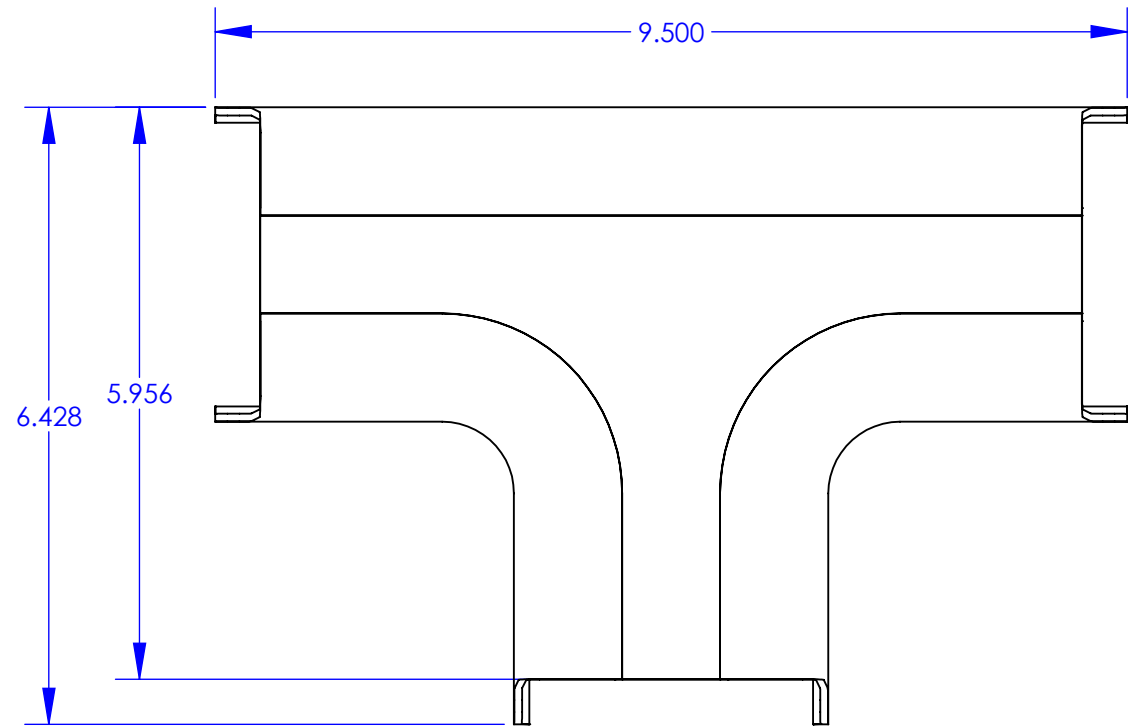


MRF30-T REF

REV.	ECN #	DESCRIPTION OF CHANGE	DATE	BY	MFG ENG
01	N/A	INITIAL RELEASE	09/25/17	SAB	



STOCK CODE	DESCRIPTION	COLOR
039-679-10	MRF30-T-E-IV	EXTERIOR IVORY

UNLESS OTHERWISE SPECIFIED DIMENSIONS ARE IN INCHES
TOLERANCES ARE:
FRACTIONS: ±1/32
DECIMALS: .XX=±.03
 .XXX=±.010
ANGLES: ±1°
ALL FLATS TO BE ±.005
NO SHARP EDGES OR BURRS ALLOWED
MATERIAL: SEE TABLE
FINISH: SEE TABLE
DO NOT SCALE DRAWING

THIS DOCUMENT AND THE INFORMATION CONTAINED THEREIN ARE CONFIDENTIAL & PROPRIETARY TO MULTILINK AND MAY NOT BE COPIED OR DISCLOSED TO OTHERS WITHOUT A WRITTEN CONSENT FROM MULTILINK. THE INFORMATION IS TO BE PROMPTLY RETURNED TO MULTILINK UPON REQUEST.
DRAWN BY: SAB
DATE: 09/25/2017
CHECKED: DATE:
MFG ENG: DATE:
QUALITY ENG: DATE:

Multilink

MRF30-T
3" T-FITTING
PLASTIC SQ MLDG

SIZE B	DWG. NO. MRF30-T REF	REV. 01
SCALE: 1:2	CAD FILE: MRF30-T REF	SHEET: 1 OF 1