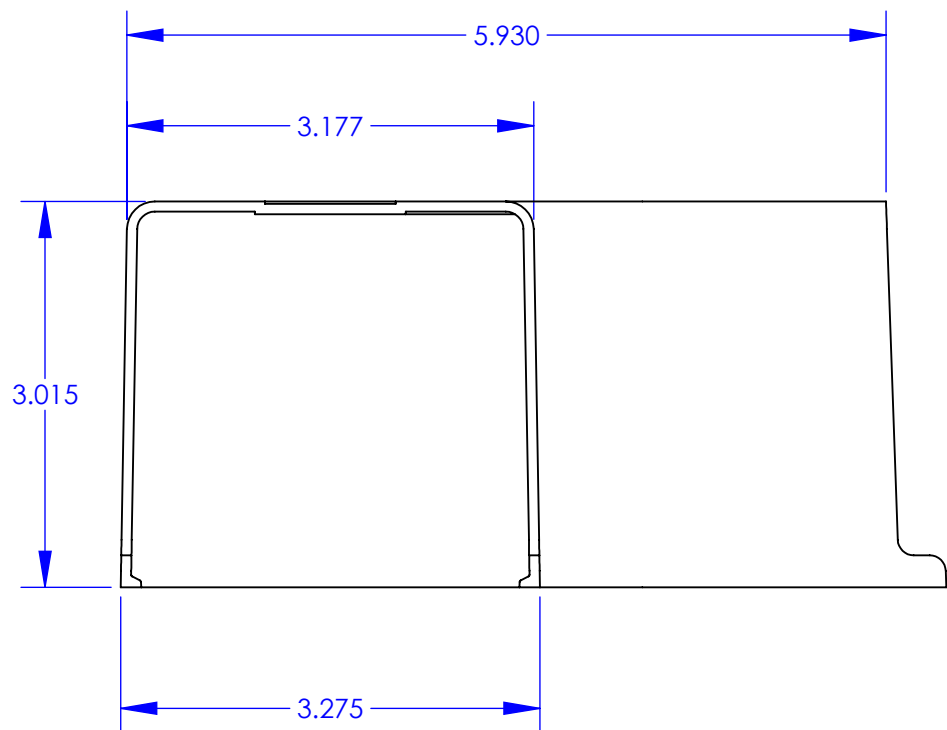
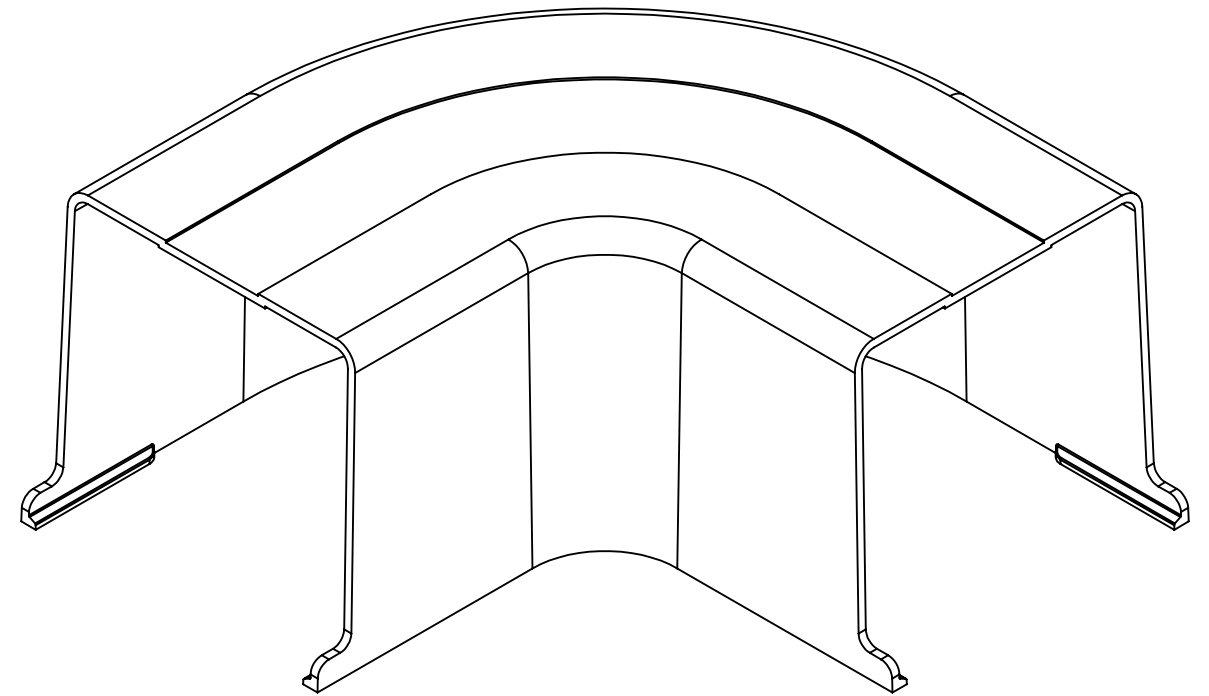
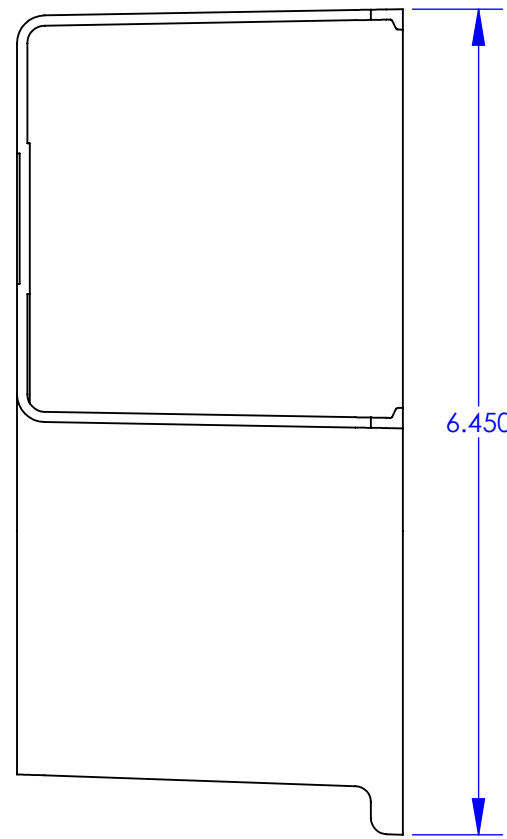
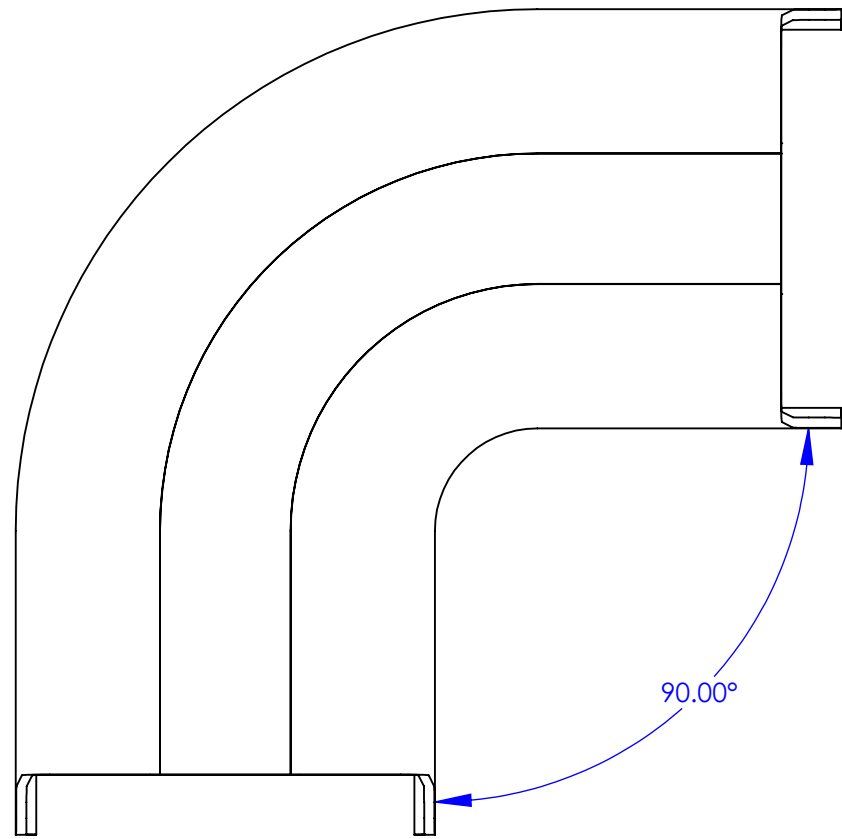


REV.	ECN #	DESCRIPTION OF CHANGE	DATE	BY	MFG ENG
01	N/A	INITIAL RELEASE	09/21/17	SAB	



STOCK CODE	DESCRIPTION	COLOR
039-681-10	MRF30-FE-E-IV	EXTERIOR IVORY

UNLESS OTHERWISE SPECIFIED DIMENSIONS ARE IN INCHES TOLERANCES ARE:
 FRACTIONS: ±1/32 DECIMALS: .XX=±.03 ANGLES: ±1°
 .XXX=±.010
 ALL FLATS TO BE ±.005
NO SHARP EDGES OR BURRS ALLOWED
 MATERIAL: SEE TABLE
 FINISH: SEE TABLE
 DO NOT SCALE DRAWING

THIS DOCUMENT AND THE INFORMATION CONTAINED THEREIN ARE CONFIDENTIAL & PROPRIETARY TO MULTILINK AND MAY NOT BE COPIED OR DISCLOSED TO OTHERS WITHOUT A WRITTEN CONSENT FROM MULTILINK. THE INFORMATION IS TO BE PROMPTLY RETURNED TO MULTILINK UPON REQUEST.
 DRAWN BY: SAB DATE: 09/21/2017
 CHECKED: DATE:
 MFG ENG: DATE:
 QUALITY ENG: DATE:

Multilink

MRF30-FE
 3" FLAT ELBOW
 PLASTIC SQ MLDG

SIZE **B** DWG. NO. MRF30-FE REF REV. **01**
 SCALE: 1:1.5 CAD FILE: MRF30-FE REF SHEET: 1 OF 1