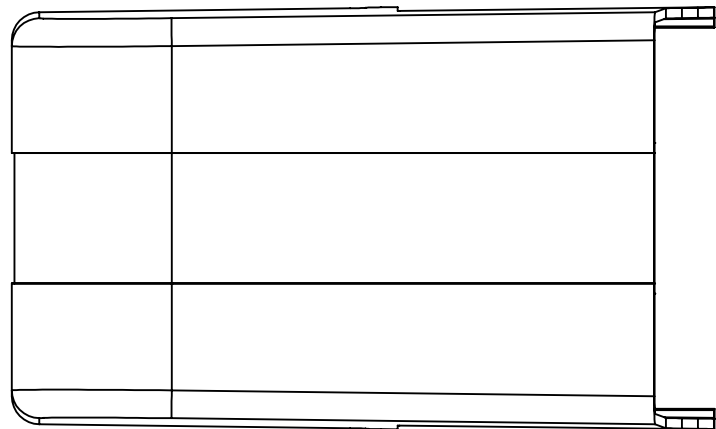
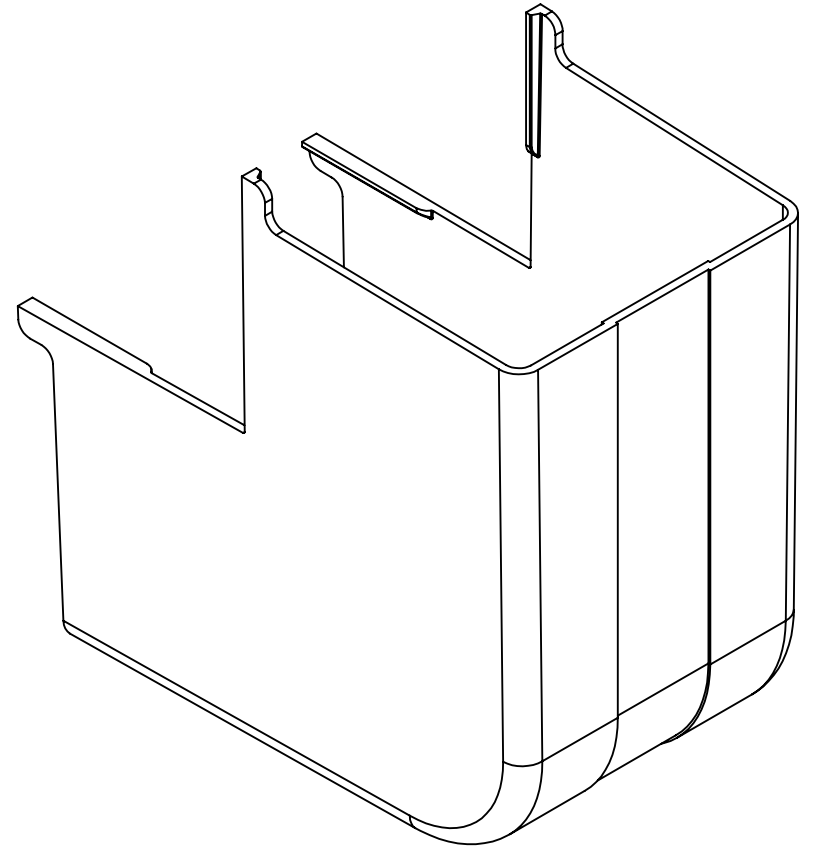
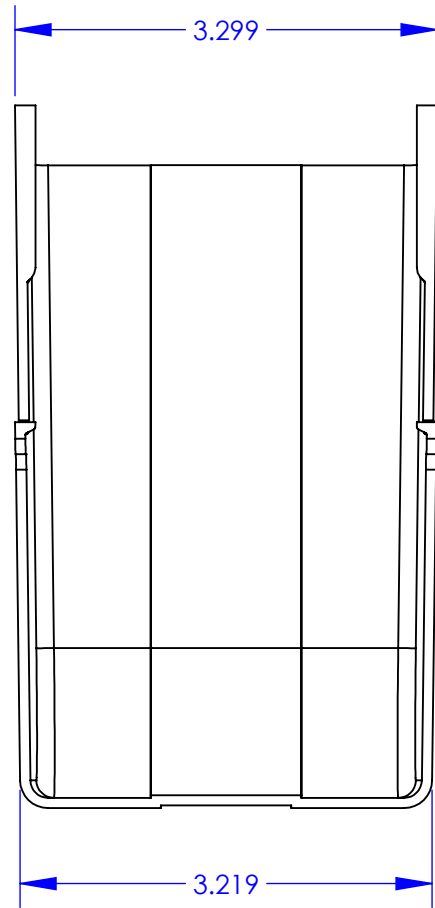
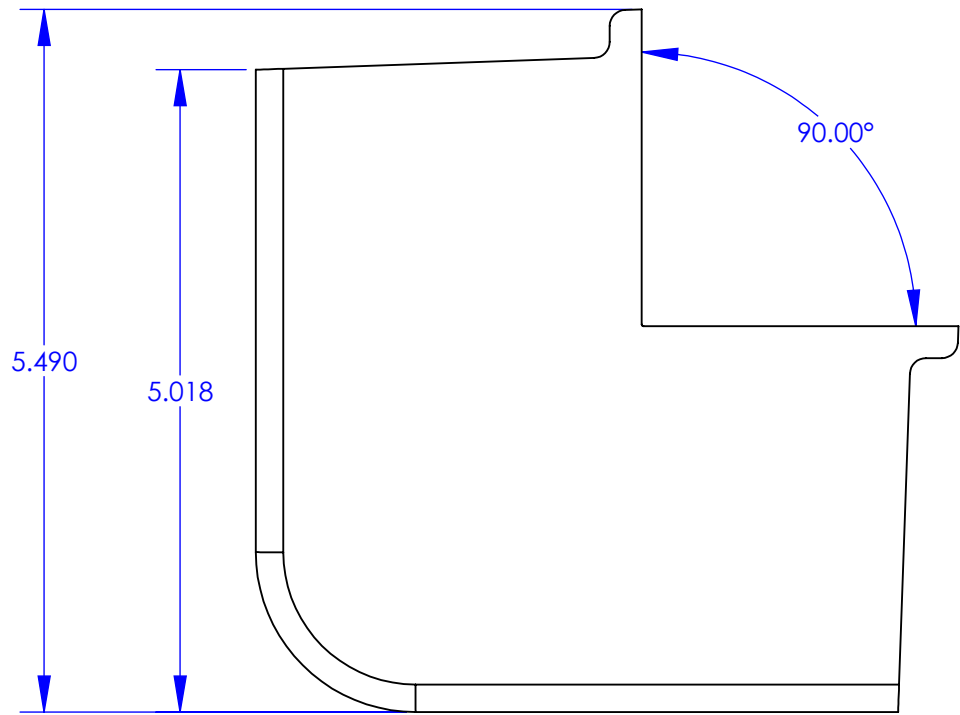


REV.	ECN #	DESCRIPTION OF CHANGE	DATE	BY	MFG ENG
01	N/A	INITIAL RELEASE	09/22/17	SAB	



STOCK CODE	DESCRIPTION	COLOR
039-682-10	MRF30-OC-E-IV	EXTERIOR IVORY

UNLESS OTHERWISE SPECIFIED
DIMENSIONS ARE IN INCHES
TOLERANCES ARE:
FRACTIONS: ±1/32 DECIMALS: .XX=±.03 ANGLES: ±1°
.XXX=±.010
ALL FLATS TO BE ±.005
**NO SHARP EDGES OR
BURRS ALLOWED**
MATERIAL: SEE TABLE
FINISH: SEE TABLE
DO NOT SCALE DRAWING

THIS DOCUMENT AND THE INFORMATION
CONTAINED THEREIN ARE CONFIDENTIAL
& PROPRIETARY TO MULTILINK AND MAY
NOT BE COPIED OR DISCLOSED TO OTHERS
WITHOUT A WRITTEN CONSENT FROM
MULTILINK. THE INFORMATION IS TO BE
PROMPTLY RETURNED TO MULTILINK UPON
REQUEST.
DRAWN BY: **SAB** DATE: **09/22/2017**
CHECKED: DATE:
MFG ENG: DATE:
QUALITY ENG: DATE:

Multilink

MRF30-OC
3" O/S CNR
PLASTIC SQ MLDG

SIZE **B** DWG. NO. **MRF30-OC REF** REV. **01**
SCALE: 1:1.5 CAD FILE: **MRF30-OC.REF** 1 OF 1