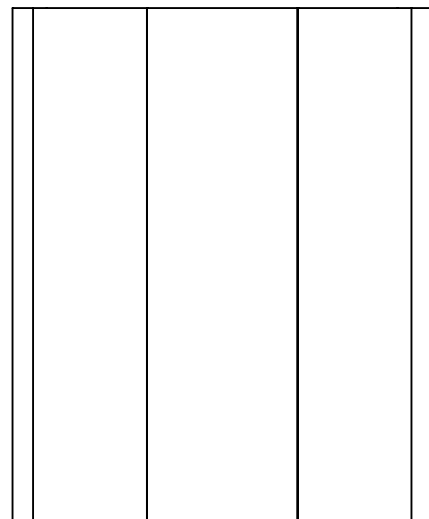
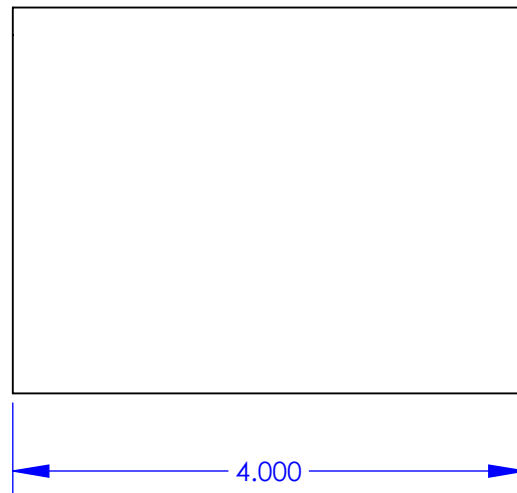
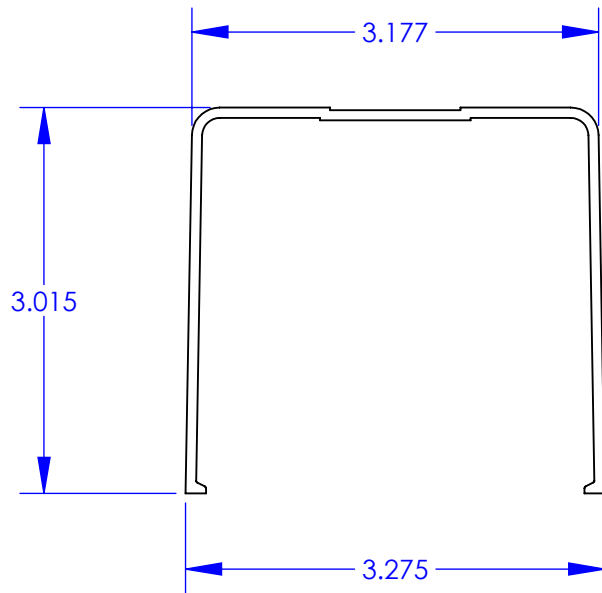
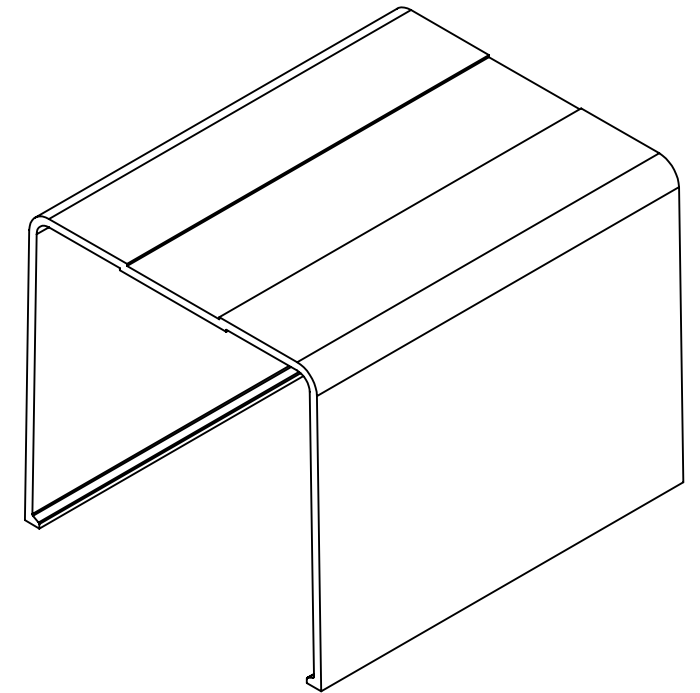
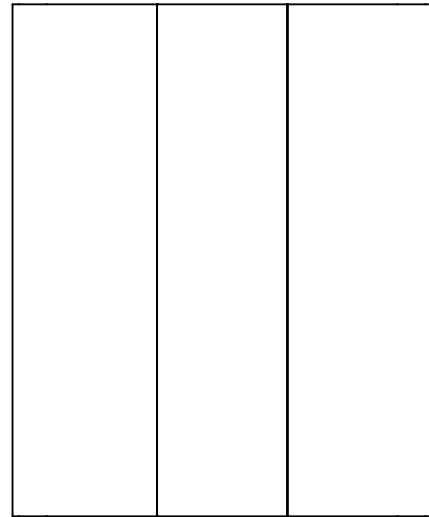


REV.	ECN #	DESCRIPTION OF CHANGE	DATE	BY	MFG ENG
01	N/A	INITIAL RELEASE	09/25/17	SAB	



STOCK CODE	DESCRIPTION	COLOR
039-683-10	MRF30-SC-E-IV	EXTERIOR IVORY

UNLESS OTHERWISE SPECIFIED DIMENSIONS ARE IN INCHES
 TOLERANCES ARE:
 FRACTIONS: ± 1/32
 DECIMALS: .XX = ± .03
 ANGLES: ± 1°
 .XXX = ± .010
 ALL FLATS TO BE ± .005
NO SHARP EDGES OR BURRS ALLOWED
 MATERIAL: SEE TABLE
 FINISH: SEE TABLE
 DO NOT SCALE DRAWING

THIS DOCUMENT AND THE INFORMATION CONTAINED THEREIN ARE CONFIDENTIAL & PROPRIETARY TO MULTILINK AND MAY NOT BE COPIED OR DISCLOSED TO OTHERS WITHOUT A WRITTEN CONSENT FROM MULTILINK. THE INFORMATION IS TO BE PROMPTLY RETURNED TO MULTILINK UPON REQUEST.
 DRAWN BY: SAB
 DATE: 09/25/2017
 CHECKED: DATE:
 MFG ENG: DATE:
 QUALITY ENG: DATE:

Multilink

MRF30-SC
 3" SEAM CVR
 PLASTIC SQ MLDG

SIZE B DWG. NO. MRF30-SC REF REV. 01
 SCALE: 2:3 CAD FILE: MRF30-SC REF SHEET: 1 OF 1