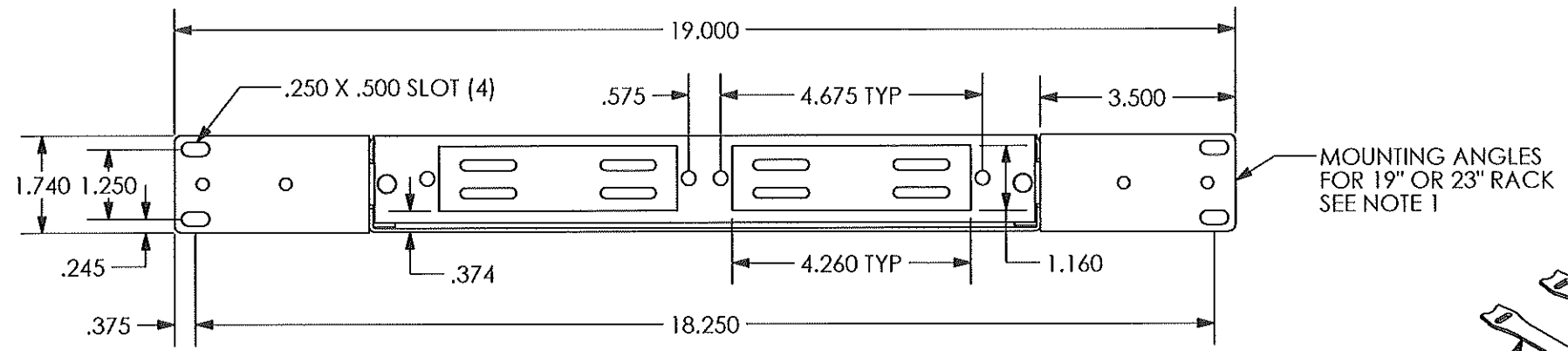
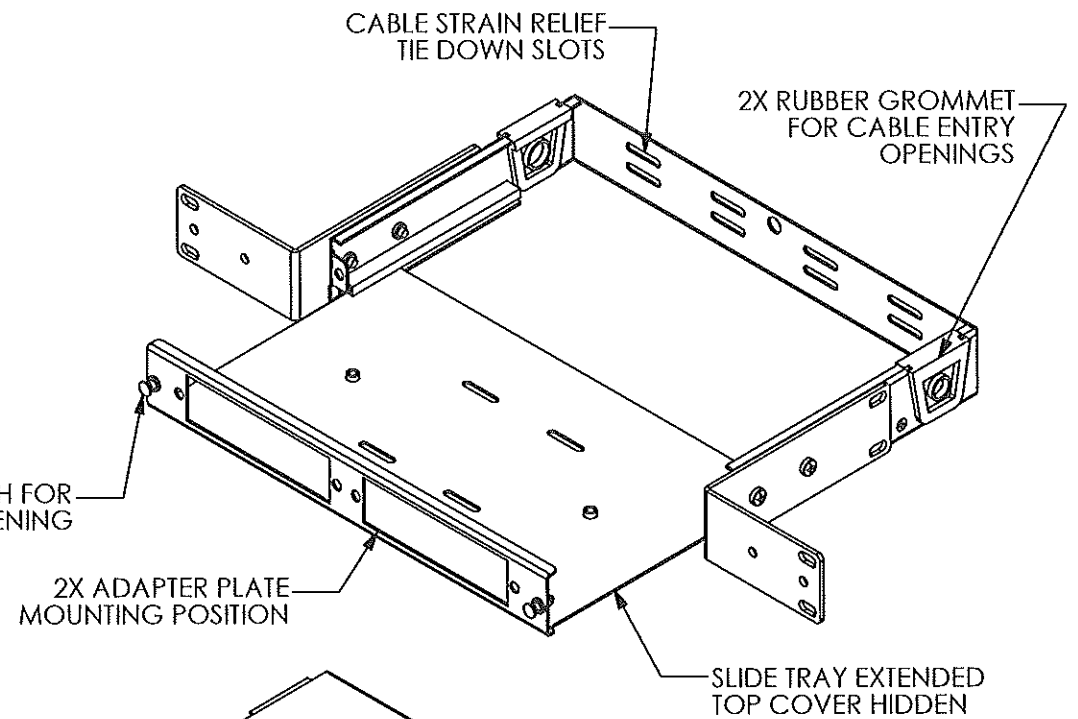
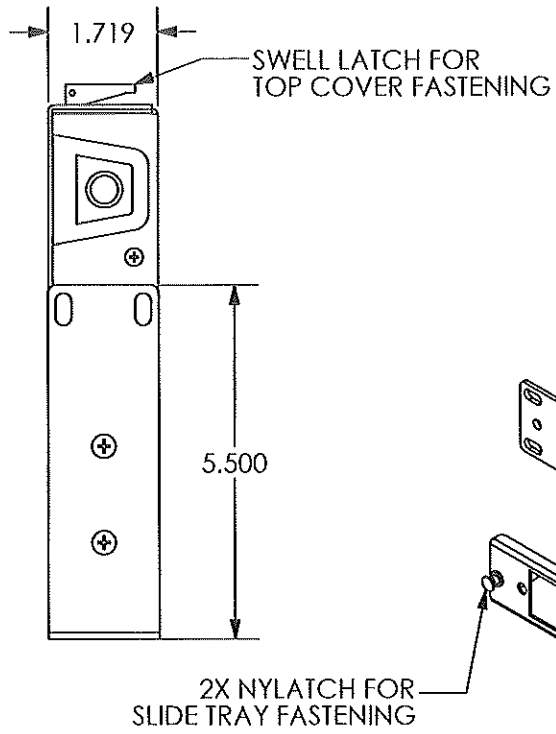
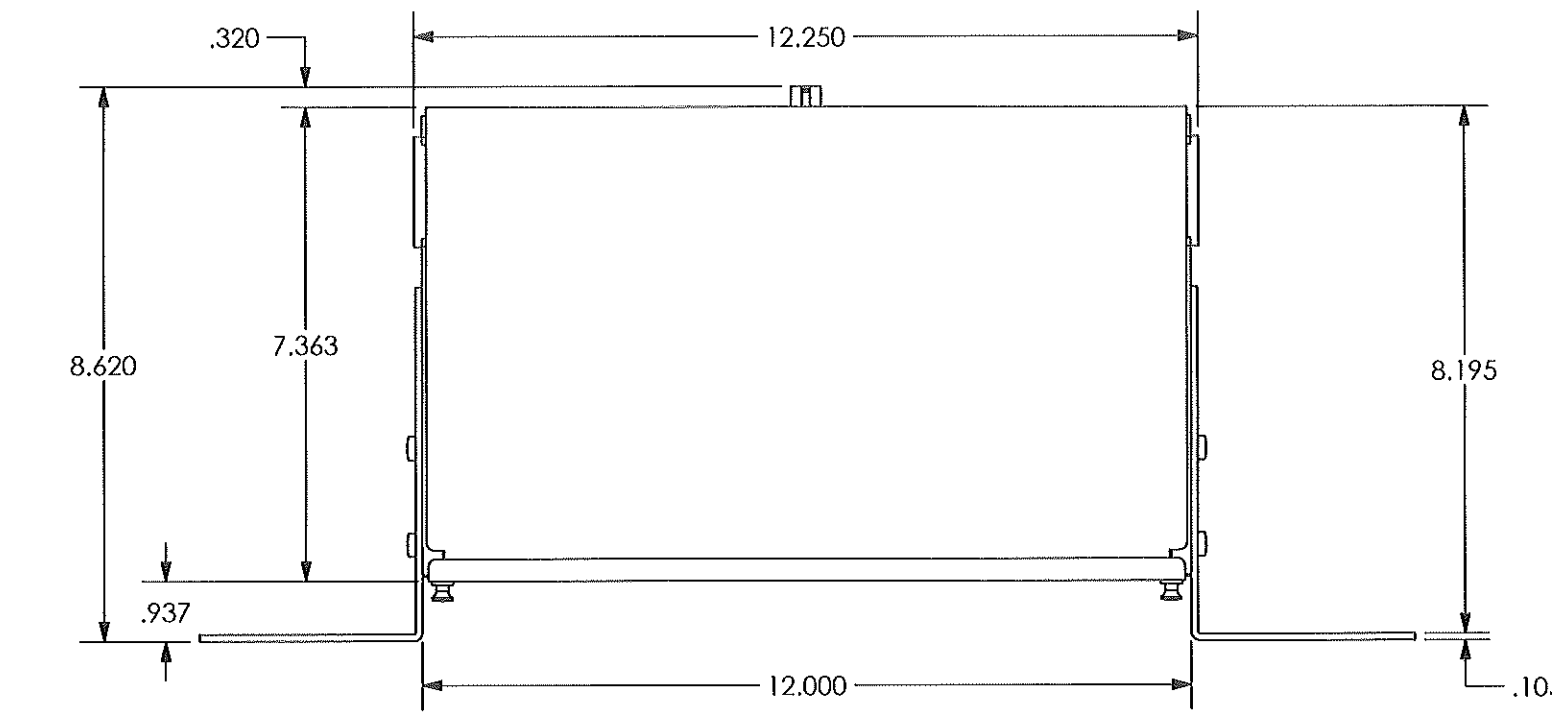
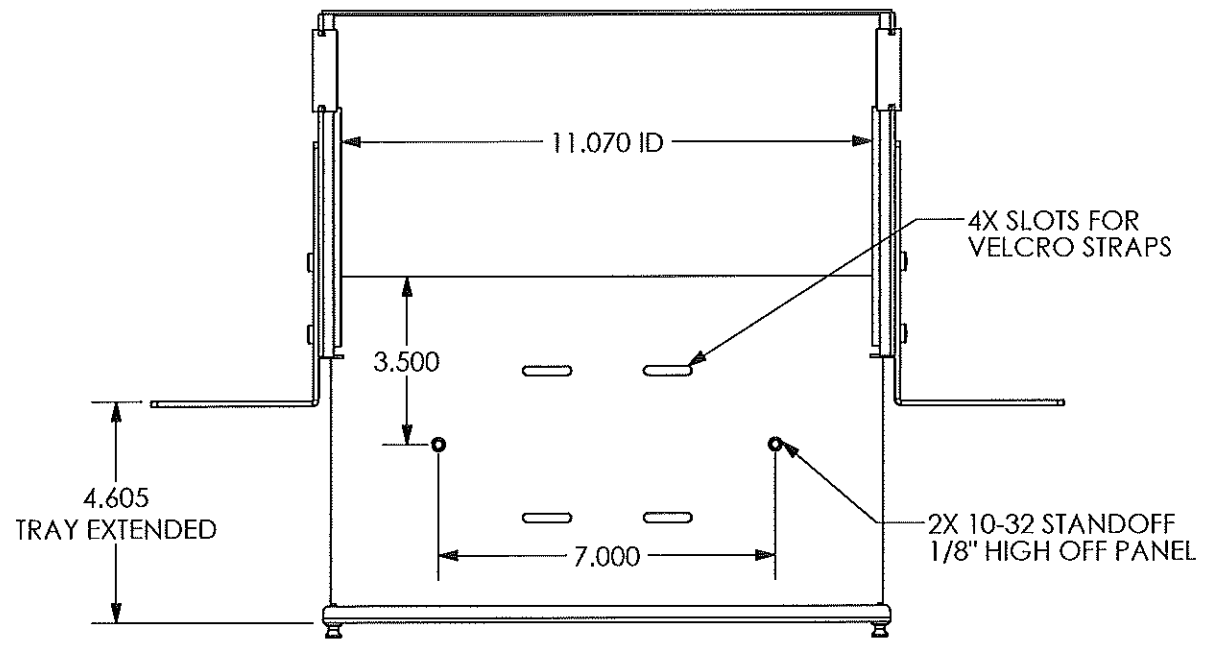


REV.	ECN #	DESCRIPTION OF CHANGE	DATE	BY	MFG ENG
1A	N/A	PRELIMINARY RELEASE	11/22/11	SAB	
01	N/A	INITIAL RELEASE	02/01/12	SAB	
02	2639	RMV ANGLES, HDWR, ADD KIT	03/14/12	SAB	
03	2767	UPDATE PACKING	09/04/12	SAB	



MOUNTING ANGLES FOR 19" OR 23" RACK SEE NOTE 1



2X VELCRO STRAP

10-32 SCREW KIT

12-24 SCREW KIT

MOUNTING ANGLE KIT

NOTES:
 1. MOUNTING ANGLES ARE CONFIGURABLE FOR 19" RACK OR 23" RACK. 19" CONFIGURATION SHOWN, SEE SHEET 2 FOR 23" CONFIGURATION.
 2. ACCESSORIES SHOWN ARE INCLUDED.

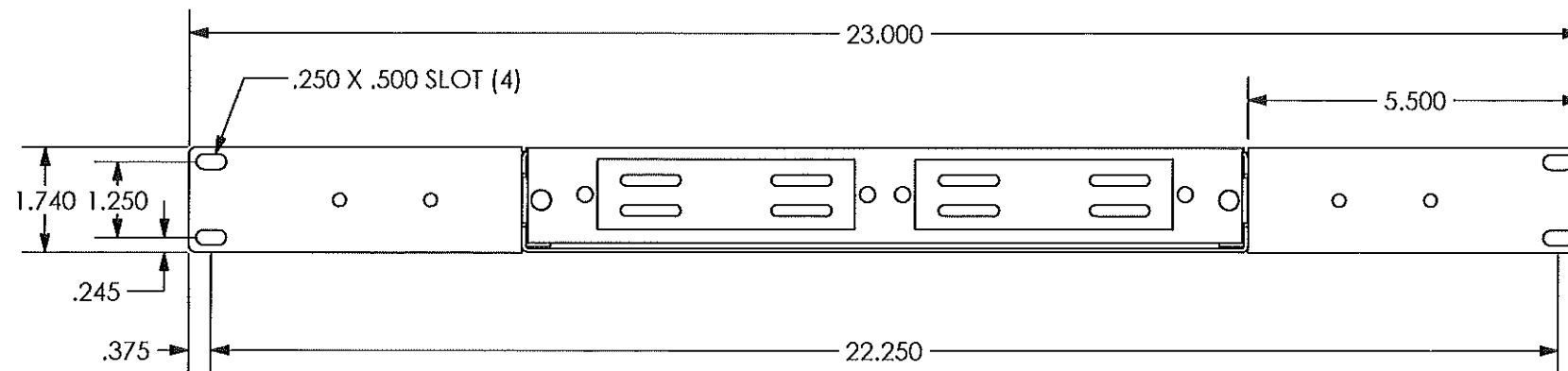
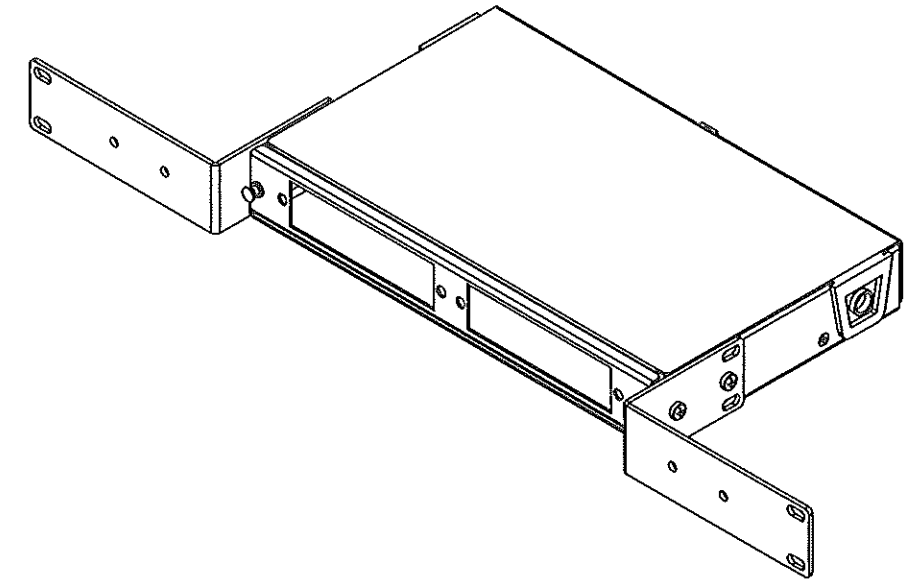
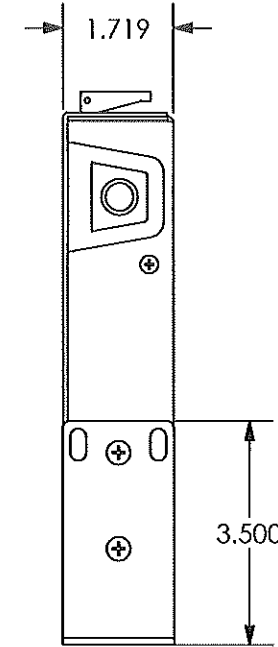
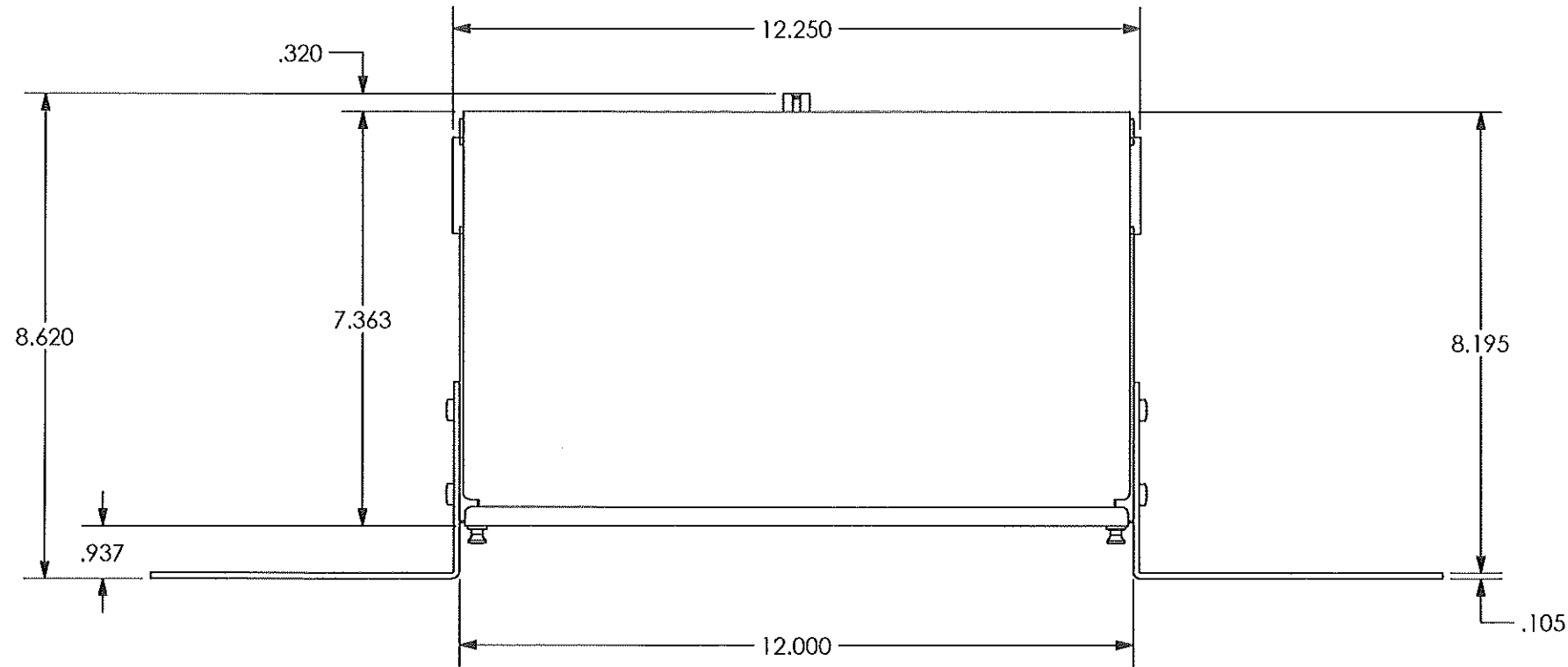
UNLESS OTHERWISE SPECIFIED DIMENSIONS ARE IN INCHES TOLERANCES ARE: FRACTIONS: ±1/32 DECIMALS: .XX=±.03 .XXX=±.010 ANGLES: ±1°		THIS DOCUMENT AND THE INFORMATION CONTAINED THEREIN ARE CONFIDENTIAL & PROPRIETARY TO MULTILINK AND MAY NOT BE COPIED OR DISCLOSED TO OTHERS WITHOUT A WRITTEN CONSENT FROM MULTILINK. THE INFORMATION IS TO BE PROMPTLY RETURNED TO MULTILINK UPON REQUEST.	
ALL FLATS TO BE ±.005		NO SHARP EDGES OR BURRS ALLOWED	
MATERIAL: SEE B.O.M.	FINISH: BLACK TEXTURED	DO NOT SCALE DRAWING	
DRAWN BY: SAB	CHECKED: MFG ENG:	DATE: 11/22/2011	
QUALITY ENG:			

Multilink

FRM-1RU-2X-TS-DOT
 FIBER OPTIC TERM PNL BK
 W/SLIDE TRAY

SIZE: B	DWG. NO.: 045-586-30REF	REV.: 03
SCALE: 1:3	CAD FILE: 045-586-30REF	SHEET: 1 of 2

REV.	ECN #	DESCRIPTION OF CHANGE	DATE	BY	MFG ENG
1A	N/A	PRELIMINARY RELEASE	11/22/11	SAB	
01	N/A	INITIAL RELEASE	02/01/12	SAB	
02	2639	RMV ANGLES, HDWR, ADD KIT	03/14/12	SAB	
03	2767	UPDATE PACKING	09/04/12	SAB	



UNLESS OTHERWISE SPECIFIED DIMENSIONS ARE IN INCHES TOLERANCES ARE: FRACTIONS: ±1/32 DECIMALS: .XX=±.03 ANGLES: ±1° .XXX=±.010 ALL FLATS TO BE ±.005 NO SHARP EDGES OR BURRS ALLOWED		THIS DOCUMENT AND THE INFORMATION CONTAINED THEREIN ARE CONFIDENTIAL & PROPRIETARY TO MULTILINK AND MAY NOT BE COPIED OR DISCLOSED TO OTHERS WITHOUT A WRITTEN CONSENT FROM MULTILINK. THE INFORMATION IS TO BE PROMPTLY RETURNED TO MULTILINK UPON REQUEST.			
MATERIAL: SEE B.O.M. FINISH: BLACK TEXTURED DO NOT SCALE DRAWING		DRAWN BY: SAB DATE: 11/22/2011 CHECKED: DATE: MFG ENG: DATE: QUALITY ENG: DATE:			
SIZE: B SCALE: 1:3		DWG. NO. 045-586-30REF CAD FILE: 045-586-30REF		REV. 03 SHEET: 2 OF 2	